

POWER AMPLIFIERS

PC9500N/PC4800N

SERVICE MANUAL



PC9500N

■ CONTENTS (目次)

SPECIFICATIONS (総合仕様).....	3/4
PANEL LAYOUT (パネルレイアウト).....	5
BLOCK DIAGRAM(ブロックダイアグラム).....	6
WIRING(結線図).....	8
DIMENSIONS (寸法図).....	10
DISASSEMBLY PROCEDURE (分解手順).....	11
LSI PIN DESCRIPTION (LSI端子機能表).....	16
IC BLOCK DIAGRAM (ICブロック図).....	17
CIRCUIT BOARDS (シート基板図).....	19
INSPECTIONS (検査).....	30/37
PARTS LIST	
OVERALL CIRCUIT DIAGRAMS(総回路図)	



このサービスマニュアルはエコバルブ
エコバルブ (ECF:無塩素系漂白バルブ)を使用しています。

PA 011652

PC9500N: 20020925-400000
PC4800N: 20020925-330000



HAMAMATSU, JAPAN

1.361K-3611 M D H Printed in Japan 2002.9

IMPORTANT NOTICE

This manual has been provided for the use of authorized Yamaha Retailers and their service personnel. It has been assumed that basic service procedures inherent to the industry, and more specifically Yamaha Products, are already known and understood by the users, and have therefore not been restated.

WARNING : Failure to follow appropriate service and safety procedures when servicing this product may result in personal injury, destruction of expensive components and failure of the product to perform as specified. For these reasons, we advise all Yamaha product owners that all service required should be performed by an authorized Yamaha Retailer or the appointed service representative.

IMPORTANT : This presentation or sale of this manual to any individual or firm does not constitute authorization certification, recognition of any applicable technical capabilities, or establish a principal-agent relationship of any form.

The data provided is believed to be accurate and applicable to the unit(s) indicated on the cover. The research engineering, and service departments of Yamaha are continually striving to improve Yamaha products. Modifications are, therefore, inevitable and changes in specification are subject to change without notice or obligation to retrofit. Should any discrepancy appear to exist, please contact the distributor's Service Division.

WARNING : Static discharges can destroy expensive components. Discharge any static electricity your body may have accumulated by grounding yourself to the ground bus in the unit (heavy gauge black wires connect to this bus.)

IMPORTANT : Turn the unit OFF during disassembly and parts replacement. Recheck all work before you apply power to the unit.

WARNING: CHEMICAL CONTENT NOTICE!

The solder used in the production of this product contains LEAD. In addition, other electrical/electronic and/or plastic (Where applicable) components may also contain traces of chemicals found by the California Health and Welfare Agency (and possibly other entities) to cause cancer and/or birth defects or other reproductive harm.

DO NOT PLACE SOLDER, ELECTRICAL/ELECTRONIC OR PLASTIC COMPONENTS IN YOUR MOUTH FOR ANY REASON WHAT SO EVER!

Avoid prolonged, unprotected contact between solder and your skin! When soldering, do not inhale solder fumes or expose eyes to solder/flux vapor!

If you come in contact with solder or components located inside the enclosure of this product, wash your hands before handling food.

WARNING: THIS APPARATUS MUST BE EARTHED

IMPORTANT

THE WIRES IN THIS MAINS LEAD ARE COLOURED IN ACCORDANCE WITH THE FOLLOWING CODE:

GREEN-AND-YELLOW :	EARTH
BLUE :	NEUTRAL
BROWN :	LIVE

As the colours of the wires in the mains lead of this apparatus may not correspond with the coloured markings identifying the terminals in your plug, proceed as follows:


The wire which is coloured GREEN and YELLOW must be connected to the terminal in the plug which is marked by the letter E or by the safety earth symbol \perp or coloured GREEN and YELLOW.


The wire which is coloured BLUE must be connected to the terminal which is marked with the letter N or coloured BLACK.

The wire which is coloured BROWN must be connected to the terminal which is marked with the letter L or coloured RED.

* This applies only to products distributed by YAMAHA KEMBLE MUSIC (U.K.) LTD.

■ WARNING

Components having special characteristics are marked  and must be replaced with parts having specification equal to those originally installed.

 印の商品は、安全を維持するために重要な部品です。交換する場合は、安全のために必ず指定の部品をご使用下さい。

■ SPECIFICATIONS(総合仕様)

• General Specifications

		PC9500N		PC4800N	
		120 V (US)/ 240 V (A)	230 V (EU)	120 V (US)/ 240 V (A)	230 V (EU)
Power Output Level (Rated Power)	8Ω/STEREO	1000 W x 2	1050 W x 2	550 W x 2	500 W x 2
	1 kHz 4Ω/STEREO	1600 W x 2	1650 W x 2	850 W x 2	800 W x 2
	THD+N= 1%	3200 W x 1	3300 W x 1	1700 W x 1	1600 W x 1

20 Hz~20 kHz	8Ω/STEREO	925 W x 2	950 W x 2	475 W x 2	450 W x 2
	4Ω/STEREO	1400 W x 2	1500 W x 2	725 W x 2	700 W x 2
	THD+N= 0.1%	2800 W x 1	3000 W x 1	1450 W x 1	1400 W x 1

1 kHz	2Ω/STEREO	2300 W x 2	2300 W x 2	1200 W x 2	1200 W x 2
	20mS nonclip 4Ω/BRIDGE	4600 W x 1	4600 W x 1	2400 W x 1	2400 W x 1
Power Bandwidth	Half Power	10 Hz~40 kHz (THD+N= 0.5%)			
Total Harmonic Distortion (THD + N)	20 Hz~20 kHz, Half Power	≤0.1%			
Frequency Response	RL= 8Ω, Po= 1 W	0 dB, 0.5 dB, -1 dB f=20 Hz~50 kHz			
Intermodulation distortion (IMD)	60 Hz:7 kHz, 4:1, Half Power	≤0.1%			
Channel Separation	Half Power, RL= 8Ω, 1 kHz Vol. max., input 600Ω shunt	≥70 dB			
Residual Noise	Vol. min. 20 Hz~20 kHz (DIN AUDIO)	≤ -70 dB			
SN Ratio	20 Hz~20 kHz (DIN AUDIO)	106 dB		103 dB	
Damping Factor	RL=8Ω, 1f= 1 kHz	≥800			
Sensitivity (Vol. max.) Rated Power into 8Ω		+9 dB		+6 dB	
Voltage Gain (Vol. max.)		32 dB			
Input Impedance		30 kΩ/Balanced, 15 kΩ/Unbalanced			
Controls	Front Panel Rear Panel	POWER switch (ON/OFF) Volume (31 position) /ch MODE switch (STEREO/BRIDGE/PARALLEL) HPFswitch (ON/OFF) /ch fc=40 Hz DIP switch (6P)			
Connectors	Input Output NETWORK POWER	XLR-3-31 type/ch Euroblock connector (balance)/ch SPEAKON /ch, 5-way binding posts RJ45 AC INLET			
Indicators	POWER/STAND-BY PROTECTION TEMP REMOTE	Green/Orange Red Red (heatsink temp ≥ 85°C) Green			
Meters		10 points LED meter			
Load protection		POWER switch ON muting, DC detection,			
Amp. protection		Temp. detection (heatsink temp ≥ 90°C), VI limiter (RL ≤ 1 Ω)			
Limiter		Comp. : THD ≥ 0.5%			
Cooling		Dual Variable-speed fan			
Power Requirements	US & Canada Europe Other	120 V, 60 Hz 230 V, 50/60 Hz 240 V, 50/60 Hz			
Power Consumption	Idling 1/8 output power, 4Ω Maximum output, 4Ω	55 W 120 V 750 W 230/240 V 1100 W 4500 W		40 W 120 V 450 W 230/240 V 600 W 2500 W	
Dimensions (W x H x D)		480 x 88 x 456 mm			
Weight		13 kg		12.5 kg	
Accessories		Power cord, Security cover, Owner's Manual, Euroblock connector (2)			

0 dB=0.775 Vrms, Half Power=1/2 Power Output Level (Rated Power)

For European Model

Purchaser/User information specified in EN55103-1 and EN55103-2.

Inrush Current: 20A (PC9500N) / 25A (PC4800N)

Conformed Environment: E1, E2, E3 and E4.

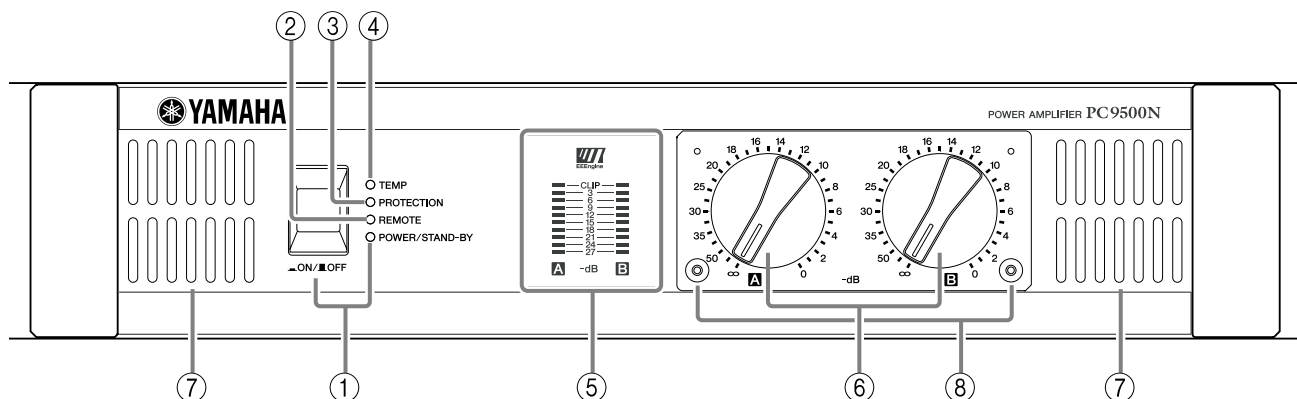
● 一般仕様

		PC9500N	PC4800N
出力レベル	8 /STEREO	1000W × 2	500W × 2
1kHz	4 /STEREO	1500W × 2	750W × 2
THD + N=1%	8 /BRIDGE	3000W × 1	1500W × 1
	8 /STEREO	900W × 2	450W × 2
20Hz ~ 20kHz	4 /STEREO	1300W × 2	650W × 2
THD + N=0.1%	8 /BRIDGE	2600W × 1	1300W × 1
	2 /STEREO	2200W × 2	1100W × 2
1kHz	4 /BRIDGE	4400W × 1	2200W × 1
20mS nonclip			
出力帯域幅	Half Power	10Hz ~ 40kHz (THD + N=0.5%)	
全高調波歪率 (THD + N)		0.1%	
20Hz ~ 20kHz、Half Power			
周波数特性	RL = 8 、 Po = 1W	0dB、 + 0.5dB、 - 1dB f = 20Hz ~ 50kHz	
混変調歪率		0.1%	
60Hz : 7kHz、4 : 1、Half Power			
チャンネル間セパレーション	Half Power RL = 8 1kHz	70dB	
ボリューム . max.	入力 600 シャント		
残留ノイズ	ボリューム min.	- 70dB	
	20Hz ~ 20kHz (DIN AUDIO)		
SN比	20Hz ~ 20kHz (DIN AUDIO)	106dB	103dB
ダンピングファクター	RL=8 、 1f = 1kHz	800	
入力感度 (ボリューム max.) Rated Power	8	+9dB	+6dB
ボルテージゲイン (ボリューム max.)		32dB	
入力インピーダンス		30k / バランス型、15k / アンバランス型	
コントロール	フロントパネル リアパネル	POWER スイッチ : ON/OFF ボリューム : 31 ポジション (チャンネル単位) MODE スイッチ : STEREO/BRIDGE/PARALLEL HPF スイッチ : ON/OFF (チャンネル単位) fc = 40Hz DIP スイッチ (6P)	
コネクタ	INPUT OUTPUT NETWORK POWER	XLR-3-31 タイプ ユーロブロックコネクタ (バランス)(チャンネル単位) スピコン (チャンネル単位)、5 ウェイバインディング・ポスト RJ45 AC インレット (PC4800N)	
インジケータ	POWER/STAND-BY PROTECTION TEMP REMOTE	緑 / オレンジ 赤 赤 (ヒートシンク温度 85) 緑	
レベルメータ		10 ポイント LED メータ	
ロードプロテクション		Power スイッチオンミュート、DC 検出、	
アンププロテクション		温度検出 (ヒートシンク温度 90)、VI リミッタ - (RL 1)	
リミッター		コンプ : THD 0.5%	
クーリング		連続可変式ファン	
電源		100V、50/60Hz	
消費電力	無信号 1/8 出力、4 最大出力、4	55W 950W 4500W	40W 500W 2500W
最大外形寸法 (W × H × D)		480 × 88 × 456mm	
重量		13kg	12.5kg
付属品		電源コード (PC4800N)、セキュリティカバー、取扱説明書、ユーロブロックコネクタ (2 個)	

0dB = 0.775 Vrms, Half Power = 1/2 Power Output Level (Rated Power)

■ PANEL LAYOUT(パネルレイアウト)

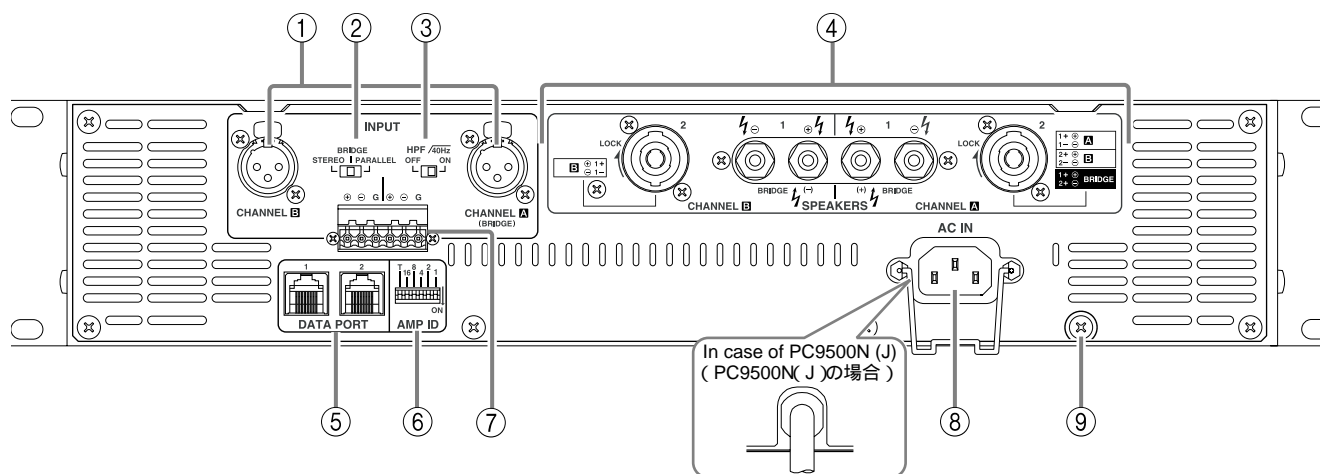
● Front Panel(フロントパネル)



- ① POWER/STAND-BY switch and indicator
- ② REMOTE indicator
- ③ PROTECTION indicator
- ④ TEMP indicator
- ⑤ Level meters
- ⑥ Volume knobs
- ⑦ Air intakes
- ⑧ Security cover

- ① POWER/STAND-BY スイッチ、インジケータ
- ② REMOTE インジケータ
- ③ PROTECTION インジケータ
- ④ TEMP インジケータ
- ⑤ レベルメータ
- ⑥ ボリュームツマミ
- ⑦ 吸気口
- ⑧ セキュリティカバー

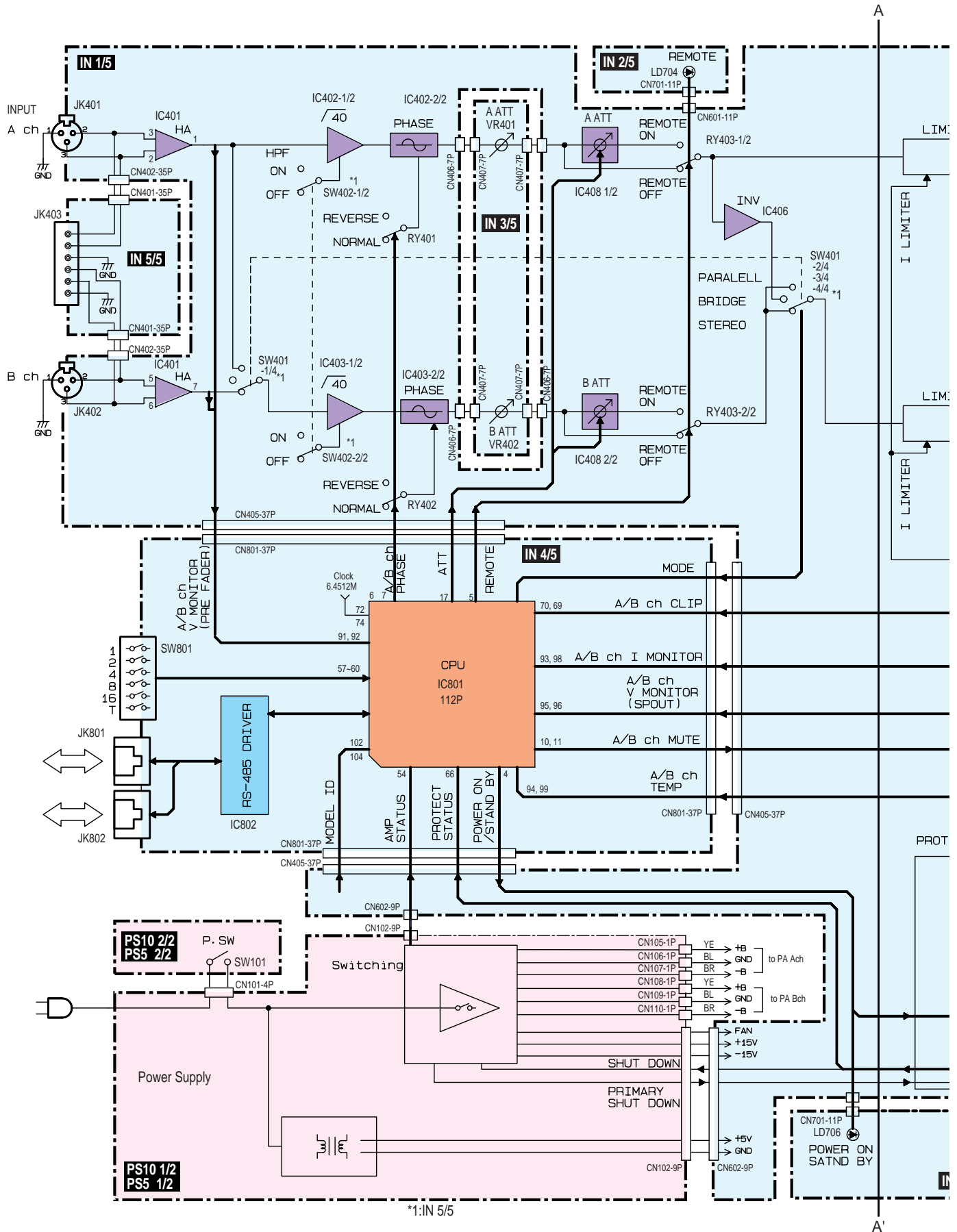
● Rear Panel(リアパネル)



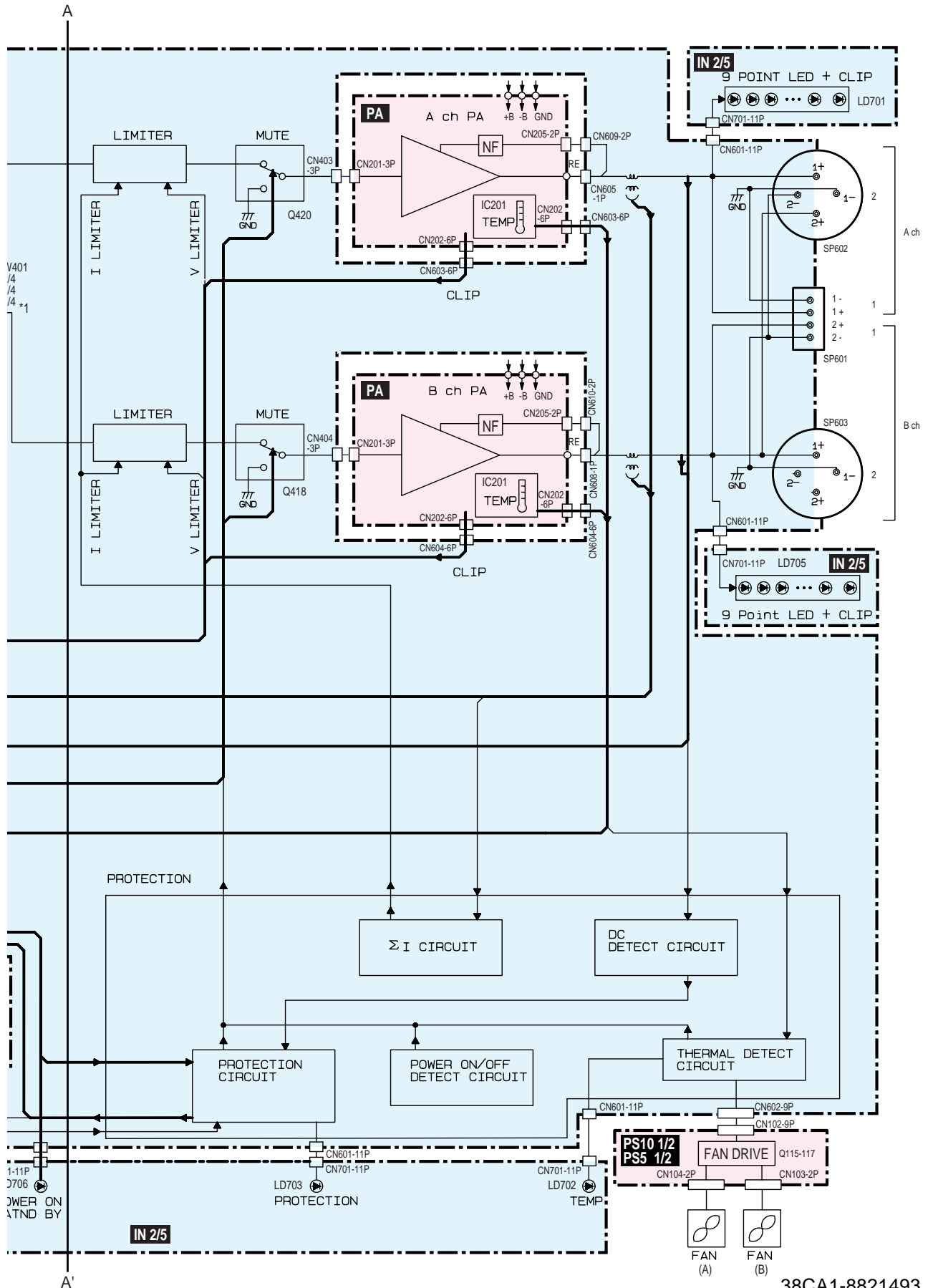
- ① XLR inputs
- ② MODE switch
- ③ HPF /40 switches
- ④ SPEAKERS jacks
- ⑤ DATA ports
- ⑥ AMP ID switch
- ⑦ Euroblock connector
- ⑧ AC inlet (only PC4800N)
- ⑨ GND terminals

- ① XLR 入力端子
- ② MODE スイッチ
- ③ HPF /40 スイッチ
- ④ SPEAKERS 端子
- ⑤ DATA ポート
- ⑥ AMP ID スイッチ
- ⑦ ユーロブロックコネクタ
- ⑧ AC インレット (PC4800N)
- ⑨ GND 端子

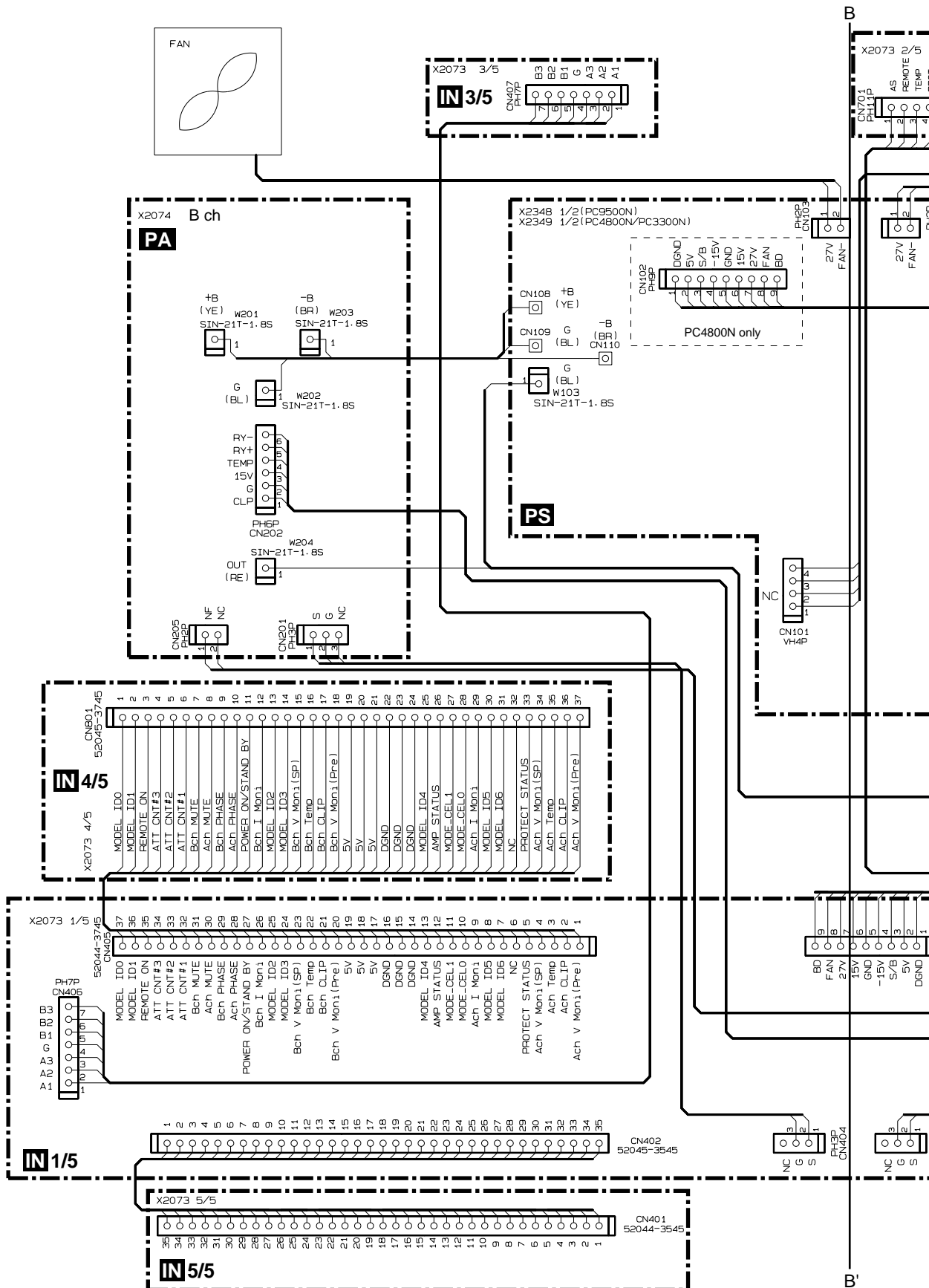
■ BLOCK DIAGRAM(ブロックダイアグラム)

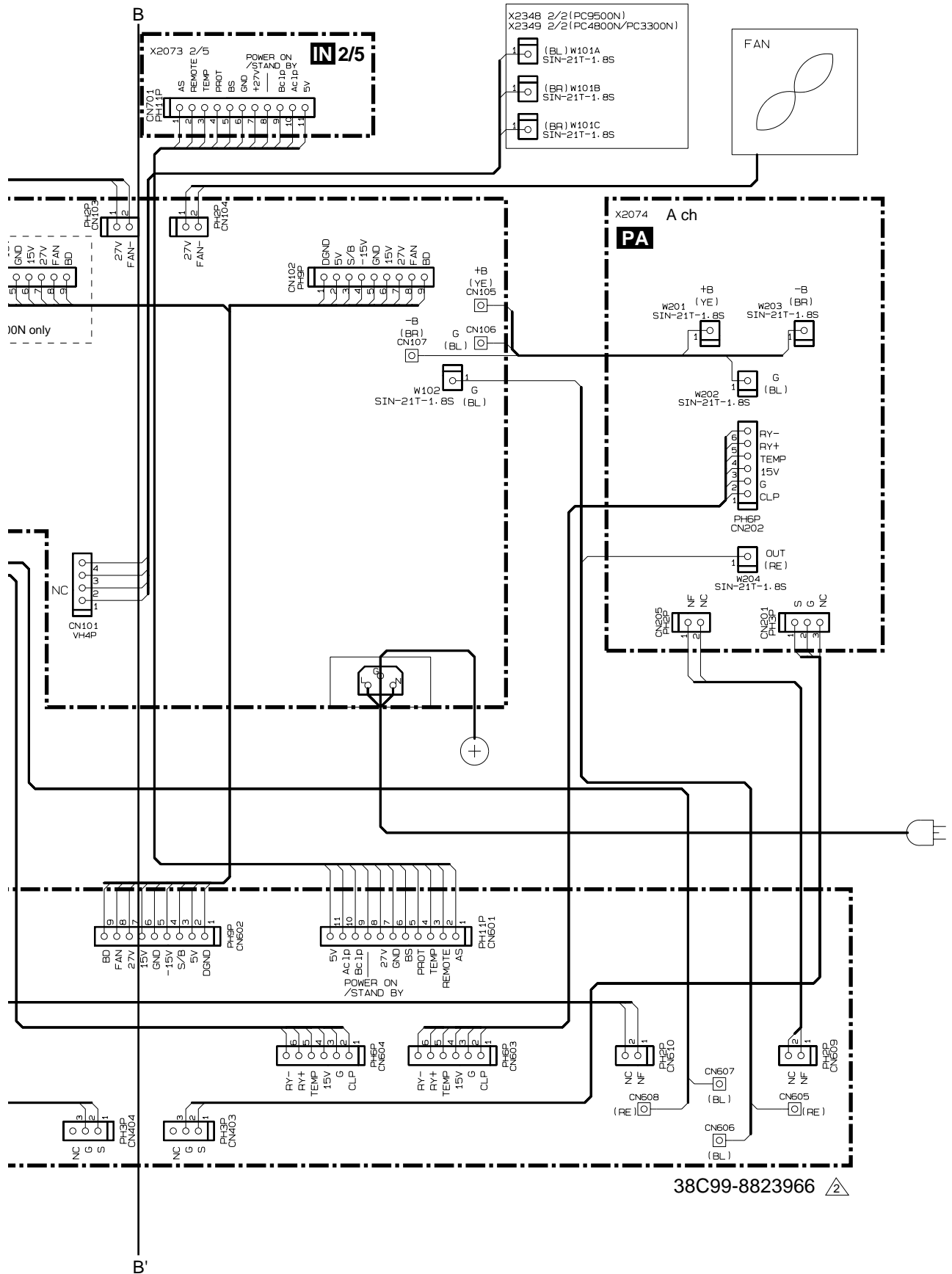


*1: IN 5/5



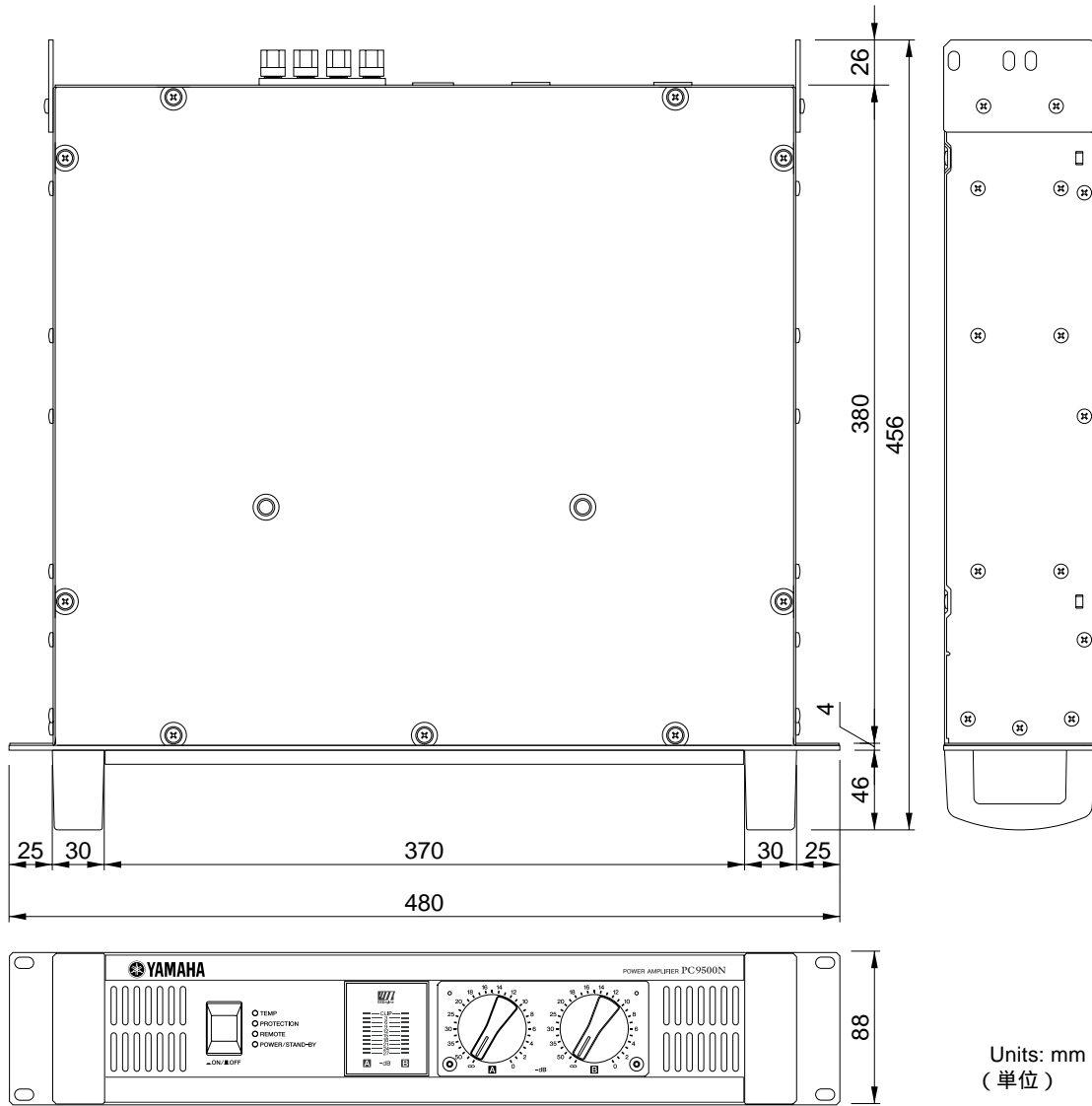
WIRING(基板結線図)





38C99-8823966

■ DIMENSIONS(寸法図)



Units: mm
(単位)

■ DISASSEMBLY PROCEDURE(分解手順)

1. Top Cover (Time required: about 2 minutes)

- 1-1 Remove the nine (9) screws marked [260]. The top cover can then be removed. (Fig. 1)

2. Rear Assembly

(Time required: about 4 minutes)

- 2-1 Remove the top cover. (See Procedure 1.)
2-2 Remove the six (6) screws marked [220]. The rear assembly can then be removed. (Fig. 2)

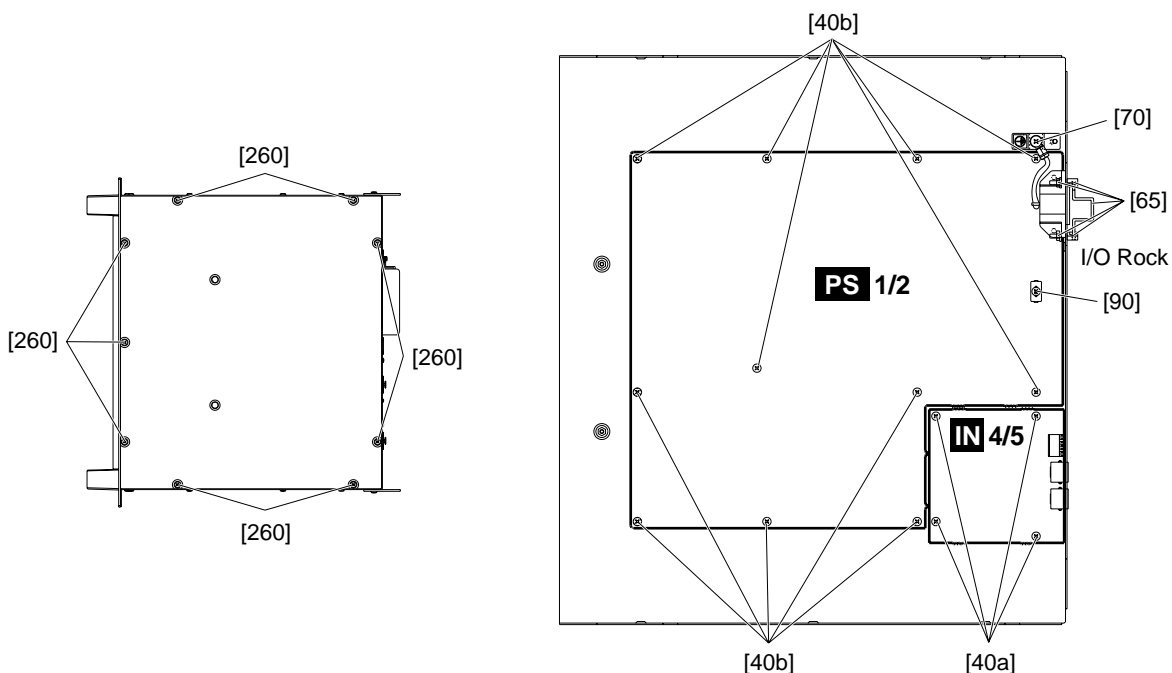
* With PC9500N of the J specification, remove the screw marked [70]. (Fig.1)

1. トップカバー (所要時間: 約2分)

- 1-1 [260]のネジ9本を外し、トップカバーを外します。(Fig.1)

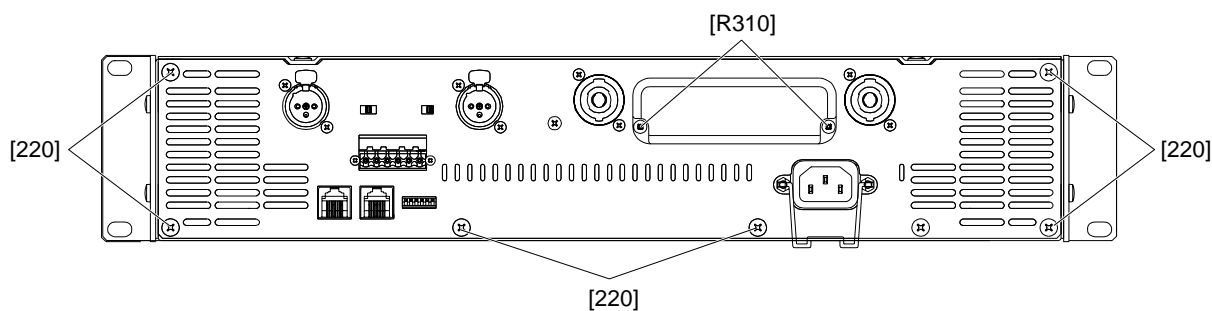
2. リア Ass'y (所要時間: 約4分)

- 2-1 トップカバーを外します。(1項参照)
2-2 [220]のネジ6本を外し、リア Ass'y を外します。(Fig.2)
PC9500N (J)仕向は[70]のネジを外します。(Fig.1)



- [40]: Bind Head Screw 3.0X4 MFZN2BL (VR139400) + バインド小ネジ
[70]: Bind Head Screw 4.0X8 MFZN2BL A4.0X8 (VP156800) + バインド小ネジ
[90]: Bind Head Screw 3.0X4 MFZN2BL (VR139400) + バインド小ネジ
[260]: Bonding Tapping Screw-B 4.0X8 MFZN2BL (VR779900) ボンディングBタイト

Fig.1



- [220]: Bonding Tapping Screw-B 4.0X8 MFZN2BL (VR779900) ボンディングBタイト
[290]: Bind Head Screw 4.0X8 MFZN2BL (VP156800) + バインド小ネジ

Fig.2

3. IN 1/5 Circuit Board (Time required: about 5 minutes)

- 3-1 Remove the top cover. (See Procedure 1.)
- 3-2 Remove the rear assembly. (See Procedure 2.)
- 3-3 Remove the two (2) screws marked [R310] and then remove the SP terminal cover. (Fig. 2)
- 3-4 Remove the one (1) screw marked [R50] , two (2) screws marked [R60] , four (4) screws marked [R70] and four (4) screws marked [R75]. The IN 1/5 circuit board can then be removed. (Fig. 3)

4. IN 4/5 Circuit Board (Time required: about 5 minutes)

- 4-1 Remove the top cover. (See Procedure 1.)
- 4-2 Remove the rear assembly. (See Procedure 2.)
- 4-3 Remove the four (4) screws marked [40a]. The IN 4/5 circuit board can then be removed. (Fig. 1)

5. IN 5/5 Circuit Board (Time required: about 3 minutes)

- 5-1 Remove the top cover. (See Procedure 1.)
- 5-2 Remove the two (2) screws marked [R40]. The IN 5/5 circuit board can then be removed. (Fig. 3)

3. IN 1/5 シート (所要時間: 約 5 分)

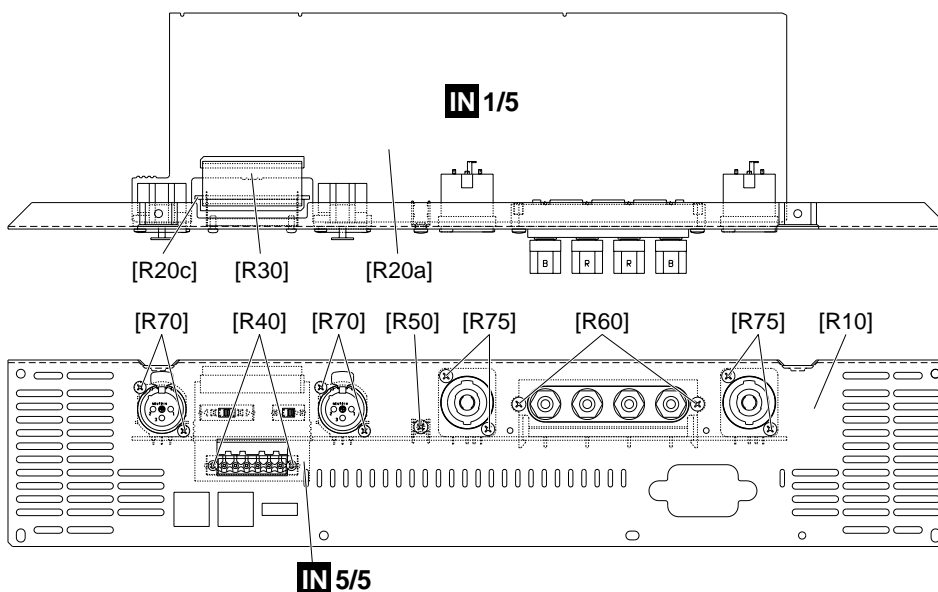
- 3-1 トップカバーを外します。(1 項参照)
- 3-2 リア Ass'y を外します。(2 項参照)
- 3-3 [R310] のネジ 2 本を外し、SP ターミナルカバーを外します。(Fig.2)
- 3-4 [R50] のネジ 1 本と、[R60] のネジ 2 本、[R70] のネジ 4 本、[R75] のネジ 4 本を外し、IN1/5 シートを外します。(Fig.3)

4. IN 4/5 シート (所要時間: 約 5 分)

- 4-1 トップカバーを外します。(1 項参照)
- 4-2 リア Ass'y を外します。(2 項参照)
- 4-3 [40a] のネジ 4 本を外し、IN4/5 シートを外します。(Fig.1)

5. IN 5/5 シート (所要時間: 約 3 分)

- 5-1 トップカバーを外します。(1 項参照)
- 5-2 [R40] のネジ 2 本を外し、IN5/5 シートを外します。(Fig.3)



- [R40]: Pan Head Screw 2.6X6 MFZN2BL (VC990500) + ナベ小ネジ
- [R50]: Bonding Tapping Screw-B 3.0X8 MFZN2BL (VN413300) ボンディングBタイ
- [R60]: Bind Head Tapping Screw-B 3.0X12 MFZN2BL (VQ074600) + バインドBタイ
- [R70]: Bind Head Tapping Screw-B 2.6X8 MFZN2BL (VB096700) + バインドBタイ
- [R75]: Flat Fillister H. Tapping 3.0X8 MFZN2BL (V9568800) + 平頭Bタイ

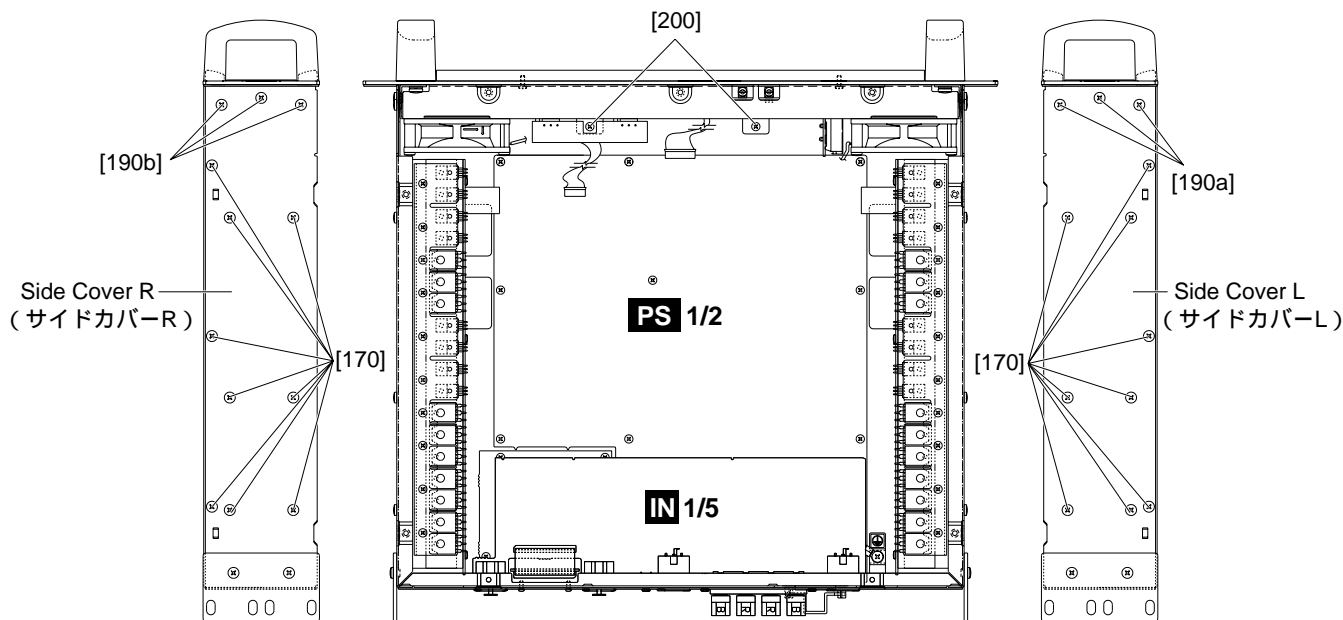
Fig.3

6. Front Panel Assembly (Time required: about 4 minutes)

- 6-1 Remove the three (3) screws marked [190a] from the side cover L, three (3) screws marked [190b] from the side cover R and two (2) screws marked [200]. The front panel assembly can then be removed. (Fig. 4)

6. フロントパネル Ass'y (所要時間: 約 4 分)

- 6-1 サイドカバー L [190a] のネジ 3 本とサイドカバー R [190b] のネジ 3 本を外し、[200] のネジ 2 本を外し、フロントパネル Ass'y を外します。(Fig.4)



[170]: Bonding Tapping Screw-B 4.0X8 MFZN2BL (VR779900) ボンディングBタイト
 [190]: Bonding Tapping Screw-B 4.0X8 MFZN2BL (VR779900) ボンディングBタイト
 [200]: Bind Head Screw 3.0X4 MFZN2BL (VR139400) + バインド小ネジ

Fig.4

7. DC Fan (Time required: about 4 minutes)

- 7-1 Remove the top cover. (See Procedure 1.)
- 7-2 Remove the front panel assembly. (See Procedure 6.)
- 7-3 Remove the two (2) screws marked [F30] from the DC fan and then remove the fan. Use the same for both right and left fans. (Fig. 5)

7. DC ファン (所要時間: 約4分)

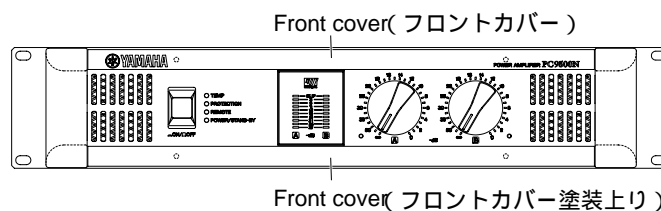
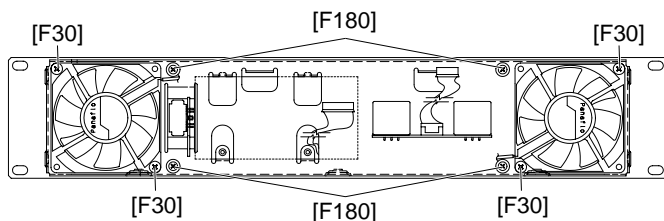
- 7-1 トップカバーを外します。(1項参照)
- 7-2 フロントパネル Ass y を外します。(6項参照)
- 7-3 DCファンの[F30]のネジ2本を外し、ファンを外します。左右とも同じ方法で外せます。(Fig.5)

8. Power Switch (Time required: about 8 minutes)

- 8-1 Remove the top cover. (See Procedure 1.)
- 8-2 Remove the front panel assembly. (See Procedure 6.)
- 8-3 Remove the DC fans. (See Procedure 7.)
- 8-4 Remove the four (4) screws marked [F180] and then remove the two front covers. (Fig. 5)
- 8-5 Remove the six (6) screws marked [F150] and then remove the front panel. (Fig. 6)
- 8-6 Remove the Power switch knob and the two (2) screws marked [F40]. The power switch (PS 2/2 circuit board mount) can then be removed. (Fig. 6)
- 8-7 Remove the power switch from the PS 2/2 circuit board.

8. パワースイッチ (所要時間: 約8分)

- 8-1 トップカバーを外します。(1項参照)
- 8-2 フロントパネル Ass y を外します。(6項参照)
- 8-3 DCファンを外します。(7項参照)
- 8-4 [F180]のネジ4本を外し、フロントカバー及びフロントカバー塗装上りを2ヶ所外します。(Fig.5)
- 8-5 [F150]のネジ6本を外し、フロントパネルを外します。(Fig.6)
- 8-6 PSW ノブを外し、[F40] のネジ2本を外し、パワースイッチ (PS2/2 シートにマウント) を外します。(Fig.6)
- 8-7 PS2/2 シートからパワースイッチを外します。



[F30]: Bind Head Screw 4.0X30 MFZN2BL (VT229100) + バインド小ネジ
 [F180]: Bind Head Tapping Screw-B 3.0X8 MFZN2BL (EP600190) + バインドBタイト

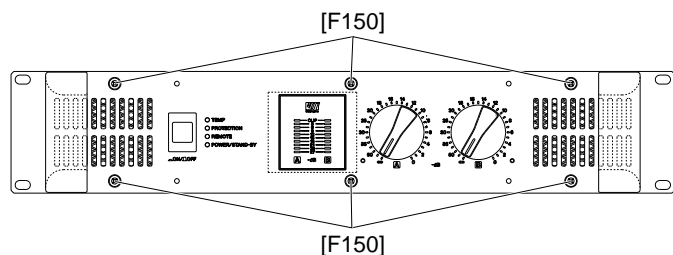
Fig.5

9. IN 2/5 Circuit Board**(Time required: about 4 minutes)**

- 9-1 Remove the top cover. (See Procedure 1.)
- 9-2 Remove the front panel assembly. (See Procedure 6.)
- 9-3 Remove the DC fans. (See Procedure 7.)
- 9-4 Remove the four (4) screws marked [F180] and then remove the two front covers. (Fig. 5)
- 9-5 Remove the six (6) screws marked [F150] and then remove the front panel. (Fig. 6)
- 9-6 Remove the two (2) screws marked [F70]. The IN 2/5 circuit board can then be removed. (Fig. 6)

10. IN 3/5 Circuit Board**(Time required: about 4 minutes)**

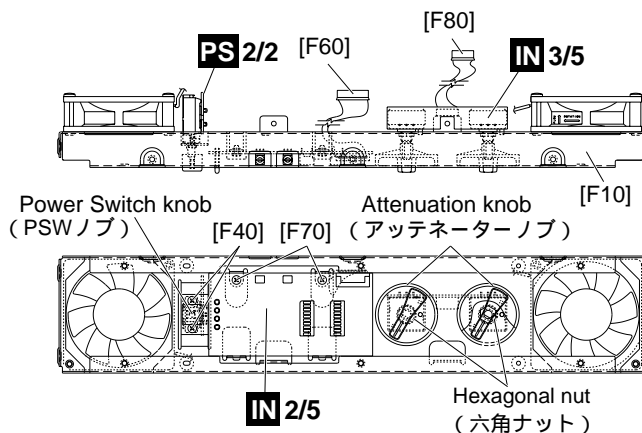
- 10-1 Remove the top cover. (See Procedure 1.)
- 10-2 Remove the front panel assembly. (See Procedure 6.)
- 10-3 Remove the DC fans. (See Procedure 7.)
- 10-4 Remove the two front covers. (See Step 9-4.)
- 10-5 Remove the front panel. (See Step 9-5.)
- 10-6 Remove the two (2) knobs of attenuation A/B and two (2) hexagonal nuts. The IN 3/5 circuit board can then be removed. (Fig. 6)

**9. IN 2/5 シート (所要時間: 約 4 分)**

- 9-1 トップカバーを外します。(1 項参照)
- 9-2 フロントパネル Ass'y を外します。(6 項参照)
- 9-3 DC ファンを外します。(7 項参照)
- 9-4 [F180]のネジ4本を外し、フロントカバー及びフロントカバー塗装上りを2ヶ所外します。(Fig.5)
- 9-5 [F150]のネジ6本を外し、フロントパネルを外します。(Fig.6)
- 9-6 [F70]のネジ2本を外し、IN 2/5 シートを外します。(Fig.6)

10. IN 3/5 シート (所要時間: 約 4 分)

- 10-1 トップカバーを外します。(1 項参照)
- 10-2 フロントパネル Ass'y を外します。(6 項参照)
- 10-3 DC ファンを外します。(7 項参照)
- 10-4 フロントカバー及びフロントカバー塗装上りを2ヶ所外します。(9-4. 項参照)
- 10-5 フロントパネルを外します。(9-5. 項参照)
- 10-6 アッテネーターA/Bのつまみ2ヶとVRの六角ナット2ヶを外し、IN 3/5 シートを外します。(Fig.6)



[F40]: Bind Head Screw 3.0X6 MFZN2BL (EG330360) + バインド小ネジ

[F70]: Bind Head Tapping Screw-B 3.0X8 MFZN2BL (EP600190) + バインドB タイト

[F150]: Flat Head Screw 4.0X8 MFZN2BL (VA221200) + 皿小ネジ

Fig.6

11. PA Unit (Time required: about 7 minutes)

- 11-1 Remove the rear assembly. (See Procedure 2.)
- 11-2 Remove the top cover. (See Procedure 1.)
- 11-3 Remove the nine (9) screws marked [170] and three (3) screws marked [190]. The side cover and PA unit can then be removed. Use the same method for both A and B channels. (Fig. 4)

12. PA Circuit Board**(Time required: about 11 minutes)**

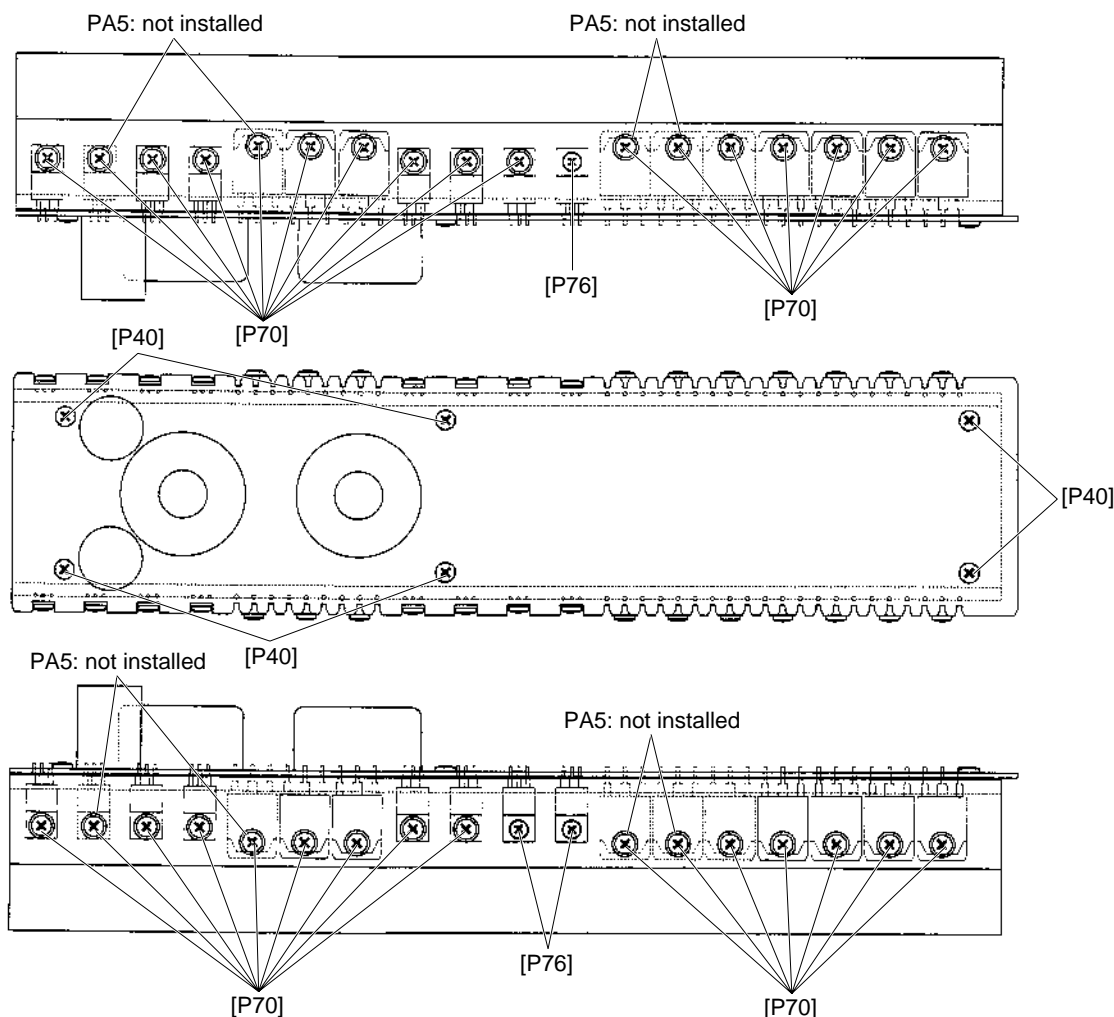
- 12-1 Remove the top cover. (See Procedure 1.)
- 12-2 Remove the PA unit. (See Procedure 11.)
- 12-3 Remove the screws fixing the pair transistor, FET and diode marked [P70] (33 screws for PC9500N, 25 screws for PC4800N), three (3) screws marked [P76] and six (6) screws marked [P40]. The PA circuit board can then be removed. (Fig. 8)

11. PA ユニット (所要時間: 約 7 分)

- 11-1 リア Ass'y を外します。(2 項参照)
- 11-2 トップカバーを外します。(1 項参照)
- 11-3 [170]のネジ9本と[190]のネジ3本を外し、サイドカバーを外し、PAユニットを外します。A,Bチャンネルとも同じ方法で外れます。(Fig.4)

12. PA シート (所要時間: 約 11 分)

- 12-1 トップカバーを外します。(1 項参照)
- 12-2 PA ユニットを外します。(11 項参照)
- 12-3 ペアトランジスター、FET とダイオードの止めネジ[P70] (PC9500N : 33 本、PC4800N : 25 本) と [P76]のネジ3本、[P40]のネジ6本を外し、PA シートを外します。(Fig.7)



- [P40]: Bind Head Screw 3.0X6 MFZN2BL (EG330360) + バインド小ネジ
 [P70]: Bind Head Screw-SP 3.0X12 MFZN2Y (VB763800) + バインド小ネジ
 [P76]: Bind Head Screw-SP 2.6X8 MFZN2Y (EG320240) + バインド小ネジ

Fig.7

13. PS Circuit Board

(Time required: about 8 minutes)

- 13-1 Remove the top cover. (See Procedure 1.)
 13-2 Remove the front panel assembly. (See Procedure 6.)
 13-3 Remove the rear assembly. (See Procedure 2.)
 13-4 Remove the eleven (11) screws marked [40b], one (1) screw marked [90] and one (1) screw marked [70] and then release the I/O lock marked [65]. The PS circuit board can then be removed. (Fig. 1)
 [65]: PC9500N (J) is not used.

13. PS シート (所要時間: 約 8 分)

- 13-1 トップカバーを外します。(1 項参照)
 13-2 フロントパネル Ass y を外します。(6 項参照)
 13-3 リア Ass y を外します。(2 項参照)
 13-4 [40b]のネジ11本と[90]のネジ1本と[70]のネジ1本を外し、[65]のI/Oロックを外し、PSシートを外します。(Fig.1)
 [65]: PC9500N (J) は使用していません。

LSI PIN DESCRIPTION (LSI 端子機能表)

● HD6437042AF28 (X2263100) CPU

PC9500N IN10: IC801
PC4800N IN5: IC801

PIN NO.	NAME	I/O	FUNCTION	PIN NO.	NAME	I/O	FUNCTION
1	TIOC4/DACK0/PE14	I/O	MTU I/O / DMA acknowledge / Port E	57	D11	I/O	Data bus
2	PE15	O	Port E	58	D10	I/O	
3	VSS	I	Ground	59	D9	I/O	
4	A0	O	Address bus	60	D8	I/O	Ground
5	A1	O		61	VSS	I	
6	A2	O		62	D7	I/O	
7	A3	O		63	D6	I/O	Data bus
8	A4	O		64	D5	I/O	
9	A5	O		65	VCC	I	Power supply
10	A6	O		66	D4	I/O	
11	A7	O		67	D3	I/O	Data bus
12	A8	O		68	D2	I/O	
13	A9	O		69	D1	I/O	
14	A10	O		70	D0	I/O	Ground
15	A11	O		71	VSS	I	
16	A12	O		72	XTAL	I	Crystal oscillator
17	A13	O	73	MD3	I	Mode control	
18	A14	O	74	EXTAL	I	Crystal oscillator	
19	A15	O	75	MD2	I	Mode control	
20	A16	O	76	NMI	I	Non-maskable interrupt request	
21	VCC	I	Power supply	77	VCC	I	Power supply
22	A17	O	Address bus	78	MD1	I	Mode control
23	VSS	I	Ground	79	MD0	I	Mode control
24	/RAS/PB2	I/O	Row address strobe / Port B	80	PLL VCC	I	PLL Power supply
25	/CASL/PB3	I/O	Column address strobe (low) / Port B	81	PLLCAP	I	PLL capacitor
26	/CASH/PB4	I/O	Column address strobe (high) / Port B	82	PLL VSS	I	PLL Ground
27	VSS	I	Ground	83	PA15 / CK	O	Port A / Clock
28	/RDWR / PB5	I/O	DRAM read / write / Port B	84	/RES	I	Power on reset
29	A18/BACK/PB6	I/O	Address bus / Bus acknowledge / Port B	85	PE0/DREQ0	I/O	Port E / DMA request
30	A19/BREQ/PB7	I/O	Address bus / Bus request / Port B	86	PE1/DRAK0	O	Port E / DMA acknowledge
31	A20/PB8	O	Address bus/ Port B	87	PE2	O	Port E
32	A21/PB9	O		88	PE3	O	
33	VSS	I	Ground	89	PE4	O	
34	/RD	O	Read	90	VSS	I	Ground
35	/WDTOVF	O	Watch dog timer overflow	91	PF0 / AN0	I	Port F / Analog input
36	/WRH	O	High write	92	PF1 / AN1	I	
37	VCC	I	Power supply	93	PF2 / AN2	I	
38	/WRL	O	Low write	94	PF3 / AN3	I	
39	VSS	I	Ground	95	PF4 / AN4	I	
40	/CS1	O	Chip select	96	PF5 / AN5	I	Analog ground
41	/CS0	O	Chip select	97	AVSS	I	
42	/IRQ3/TCLK0/PA9	I/O	Interrupt request / Timer clock/ Port A	98	PF6 / AN6	I	Port F / Analog input
43	TCLK0/IRQ2/PA8	I/O	Timer clock / Interrupt request / Port A	99	PF7 / AN7	I	
44	/CS3	O	Chip select	100	AVCC	I	Power supply
45	/CS2	O	Chip select	101	VSS	I	Ground
46	/IRQ1/PA5	I/O	Interrupt request / Port A	102	PE5	O	Port E
47	TXD1	O	Data transmission	103	VCC	I	Power supply
48	RXD1	I	Data reception	104	PE6	I/O	Port E
49	/IRQ0/PA2	I/O	Interrupt request / Port A	105	PE7	I/O	
50	TXD0	O	Data transmission	106	PE8	I/O	
51	RXD0	I	Data reception	107	PE9	O	
52	D15	I/O	Data bus	108	PE10	O	
53	D14	I/O		109	VSS	I	Ground
54	D13	I/O		110	PE11	O	Port E
55	VSS	I	Ground	111	PE12	O	
56	D12	I/O	Data bus	112	/MRES	I	Manual reset

IC BLOCK DIAGRAM(IC ブロック図)

NJM4558M(T1) (IG103520)

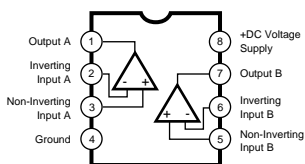
PC9500M IN10: IC601, IC602, IC603,
IC604, IC605, IC606
PC4800M IN5: IC601, IC602, IC603,
IC604, IC605, IC606

NJM2068MD-T1 (XJ553A00)

PC9500M IN10: IC402, IC403, IC404,
IC405, IC406, IC407
PC4800M IN5: IC402, IC403, IC404,
IC405, IC406, IC407

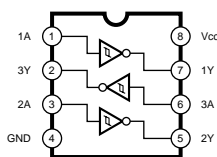
M5238AFP (XL669A00)

PC9500M IN10: IC401
PC4800M IN5: IC401
OP AMP



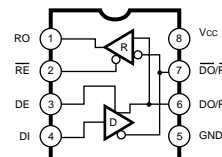
TC7W14FU (XN883A00)

PC9500M IN10: IC804
PC4800M IN5: IC804
INVERTER



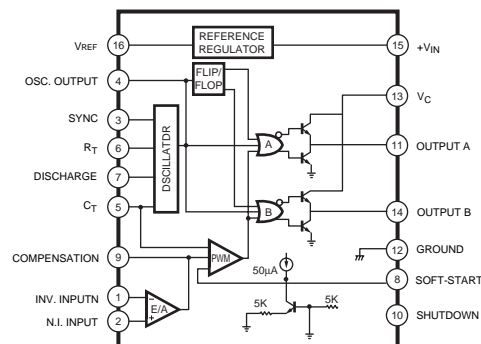
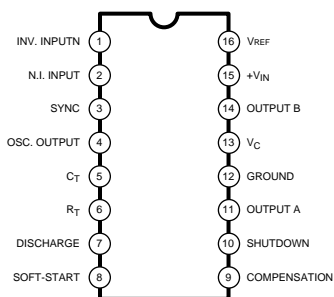
DS36276M (X2155A00)

PC9500M IN10: IC802
PC4800M IN5: IC802
TRANSCEIVER



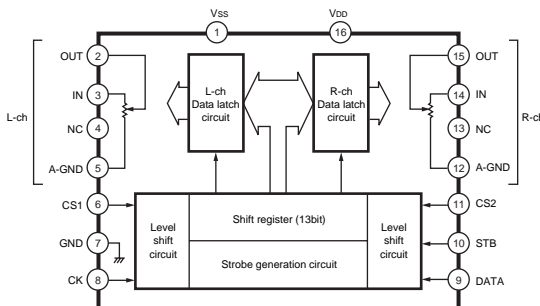
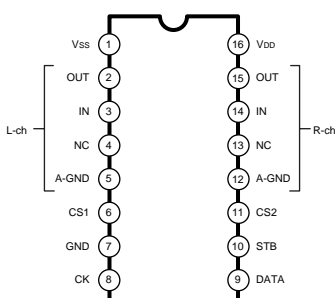
SG3525AN (X2383A00)

PC9500M PS10: IC101
PC4800M PS5: IC101
REGULATOR



TC9413AP (X2101A00)

PC9500M IN10: IC408
PC4800M IN5: IC408
VOLUME

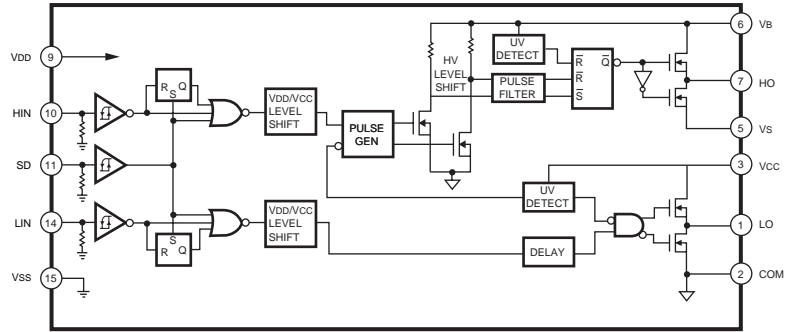
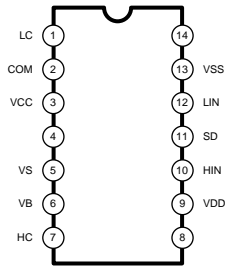


IR2110 (X2382A00)

PC9500M PS10: IC103,IC104

PC4800M PS5: IC103,IC104

DRIVER

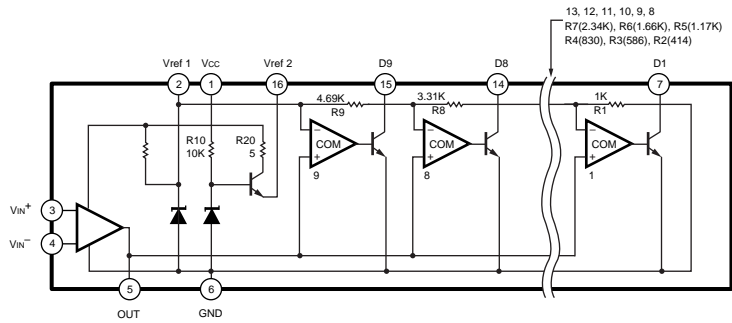
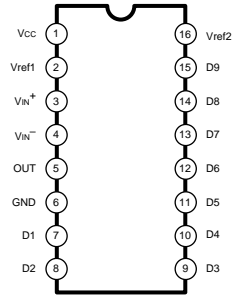


LB1409M (X0654A00)

PC9500M IN10: IC701, IC702

PC4800M IN5: IC701, IC702

LED DRIVE



■ CIRCUIT BOARDS(シート基板図)

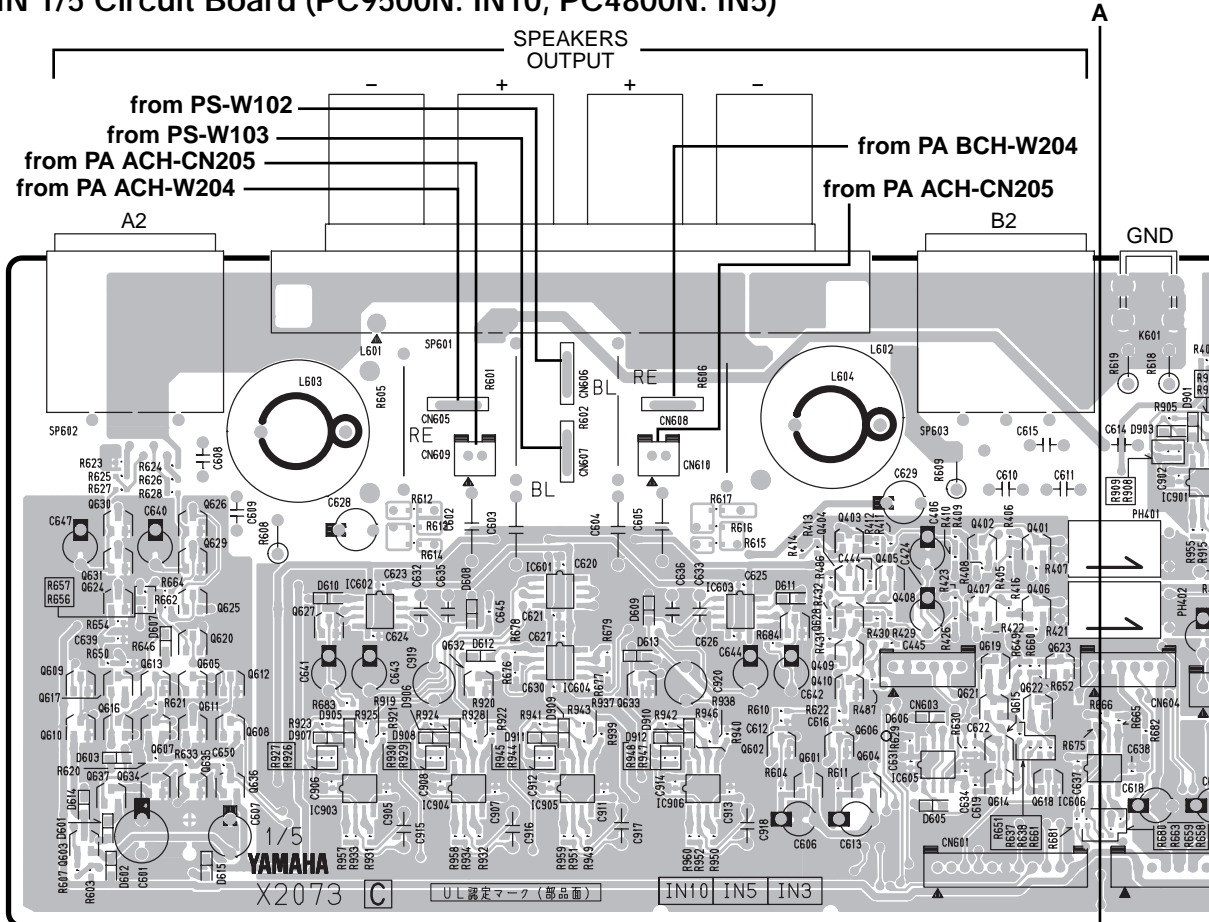
● CONTENTS(目次)

IN 1/5 Circuit Board (X2073C0)	20
IN 2/5 Circuit Board (X2073C0)	22
IN 3/5 Circuit Board (X2073C0)	22
IN 4/5 Circuit Board (X2073C0)	23
IN 5/5 Circuit Board (X2073C0)	23
PA Circuit Board (X2074C0)	24
PS10 1/2 Circuit Board (X2348C0)	26
PS10 2/2 Circuit Board (X2348C0)	26
PS5 1/2 Circuit Board (X2349C0)	28
PS5 2/2 Circuit Board (X2349C0)	28

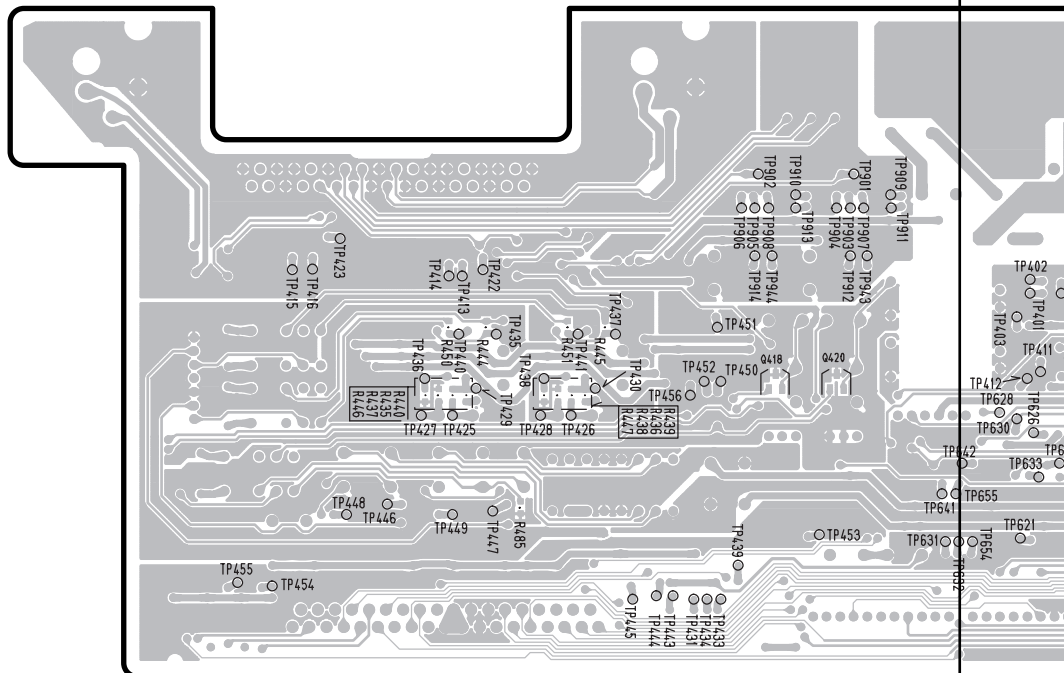
Note: See parts list for details of circuit board component parts.

注：シートの部品詳細はパーツリストをご参照下さい。

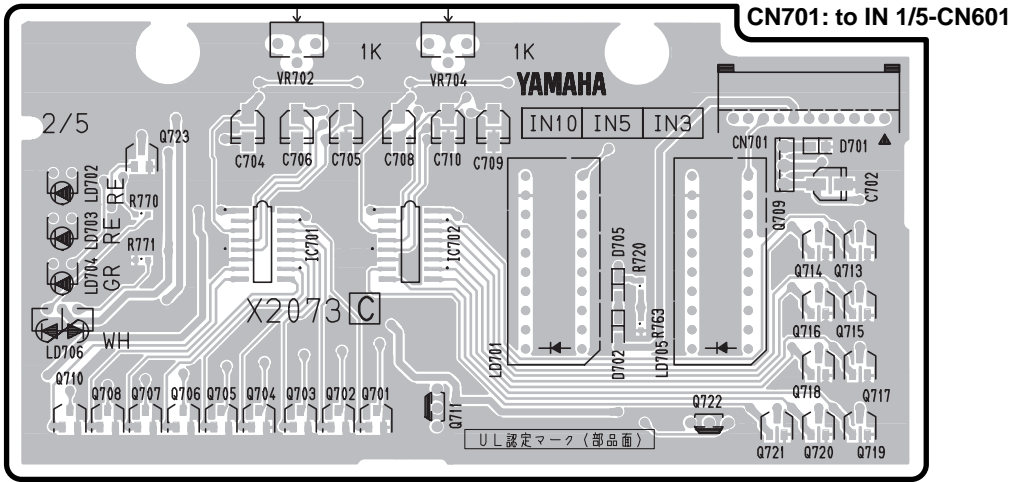
• IN 1/5 Circuit Board (PC9500N: IN10, PC4800N: IN5)



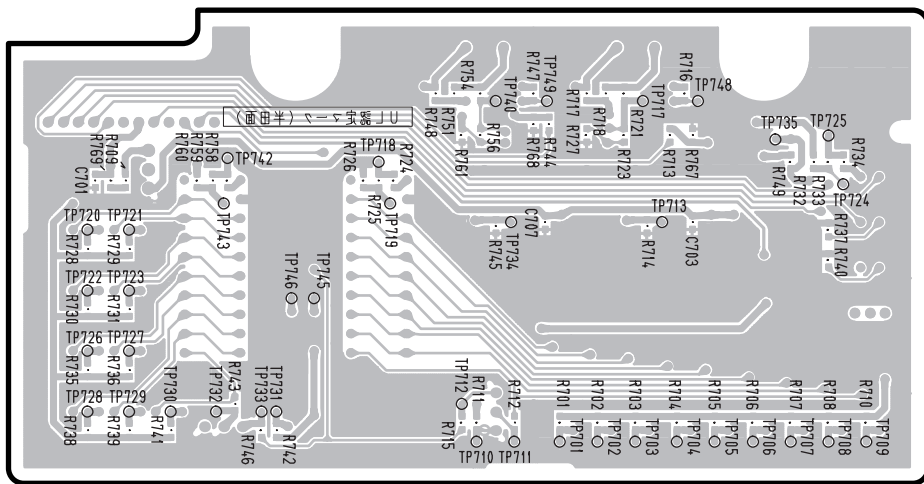
CN603: to PA ACH-CN202
CN601: to IN 2/5-CN701



• IN 2/5 Circuit Board

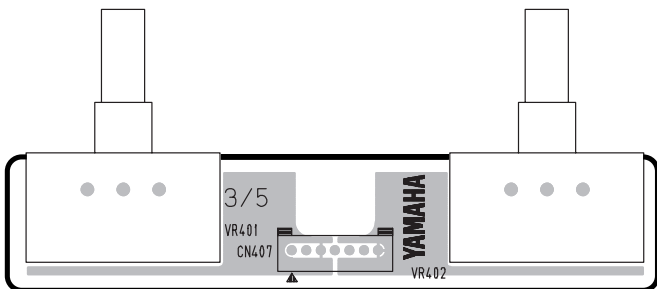


Component side(部品側)



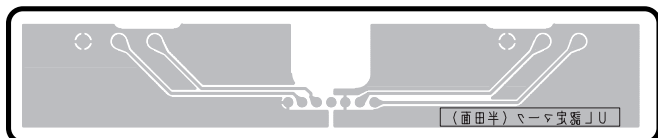
Pattern side(パターン側)

• IN 3/5 Circuit Board



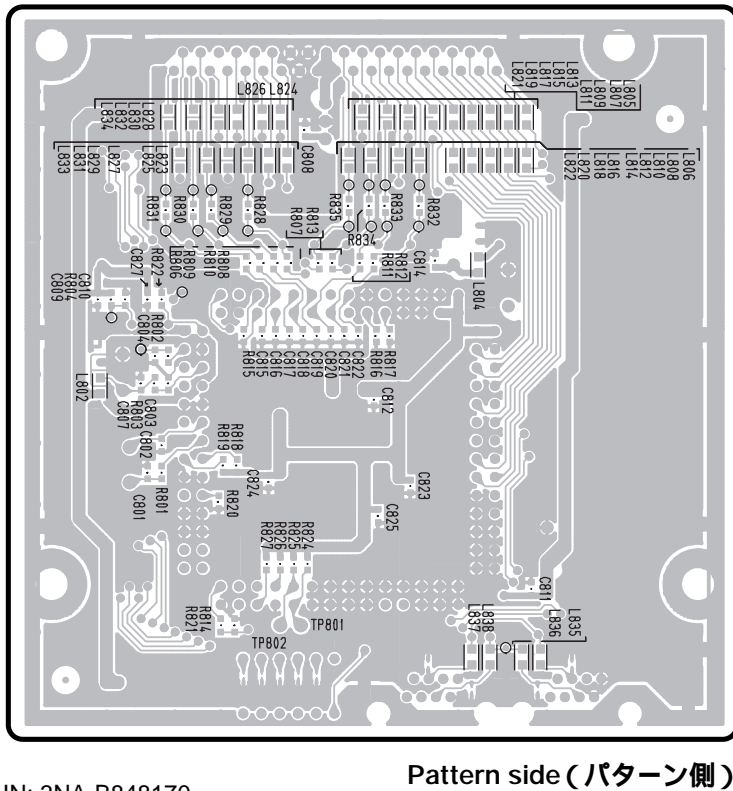
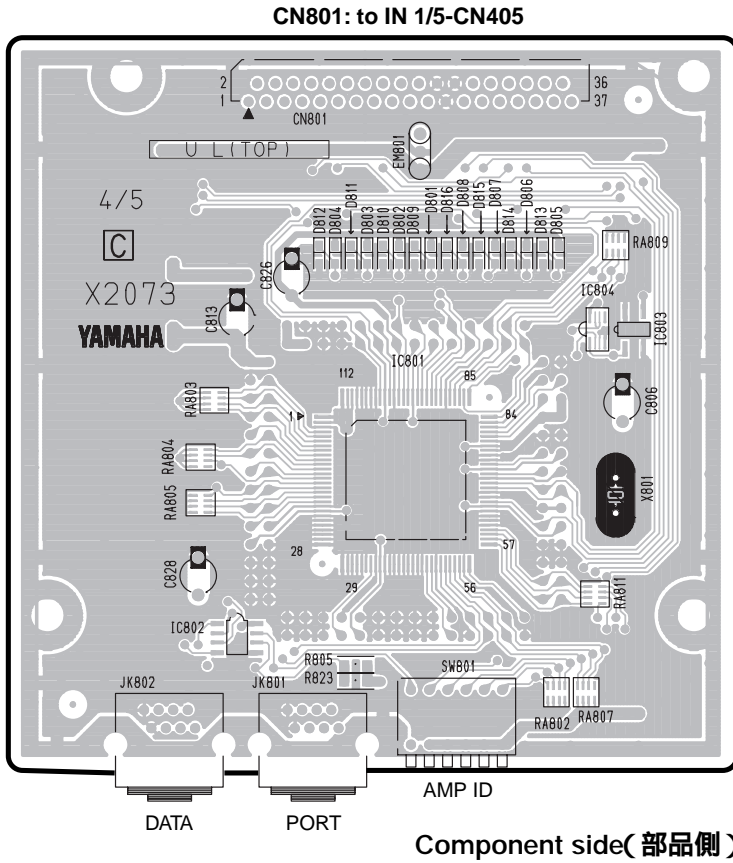
CN407: to IN 1/5-CN406

Component side(部品側)



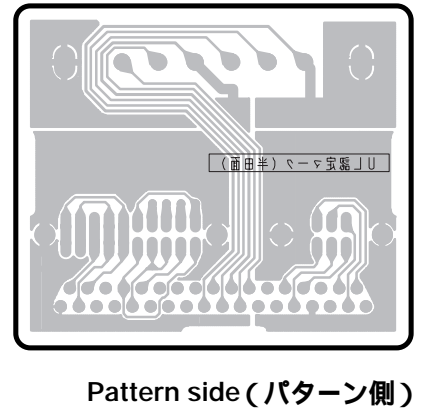
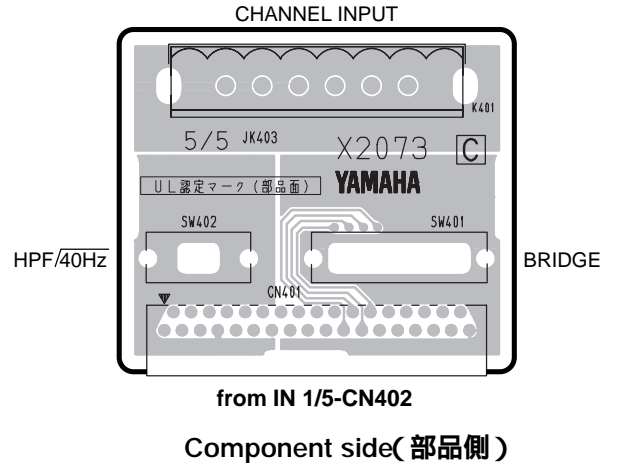
Pattern side(パターン側)

• IN 4/5 Circuit Board

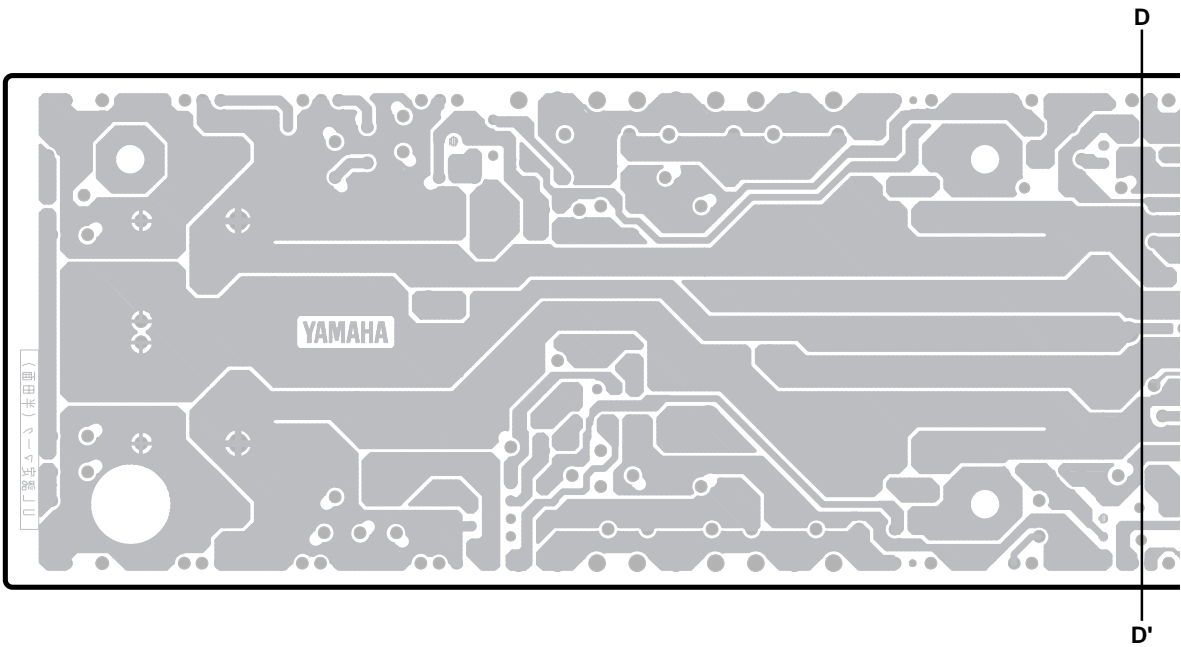
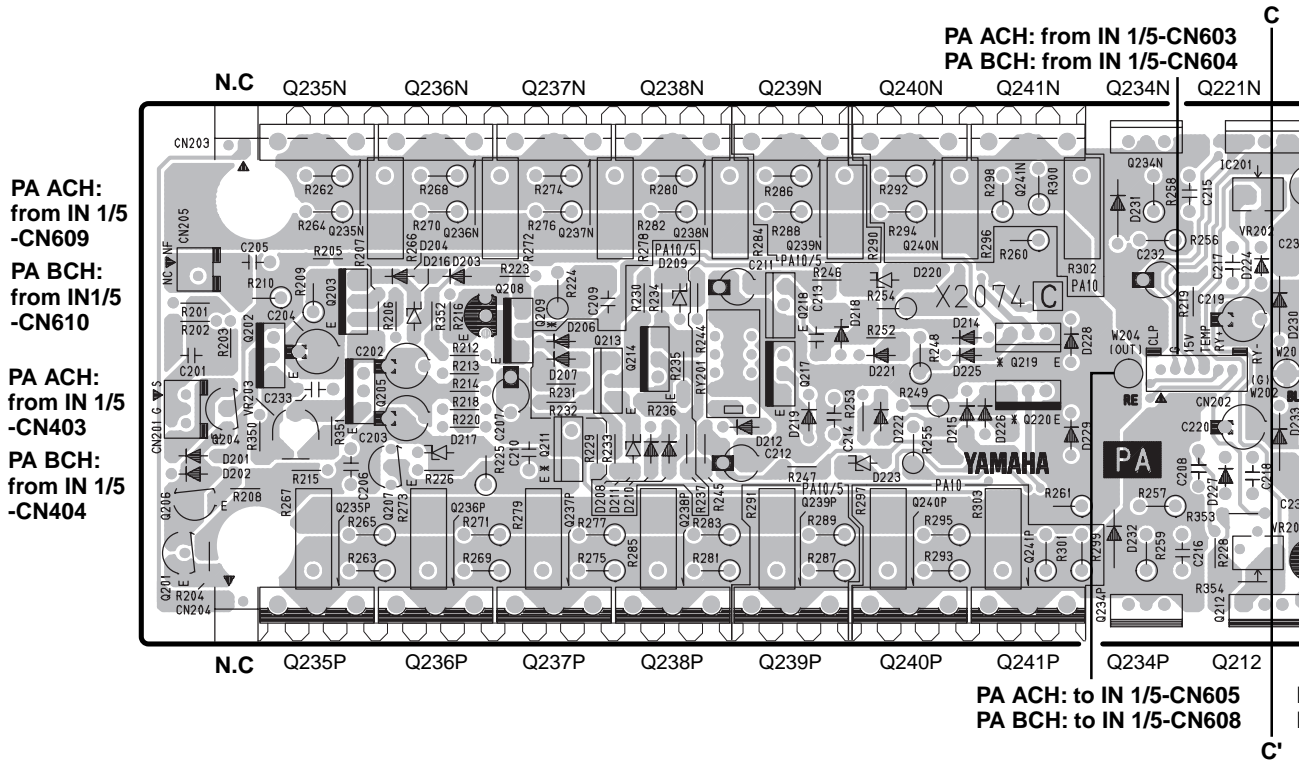


IN: 3NA-B848170

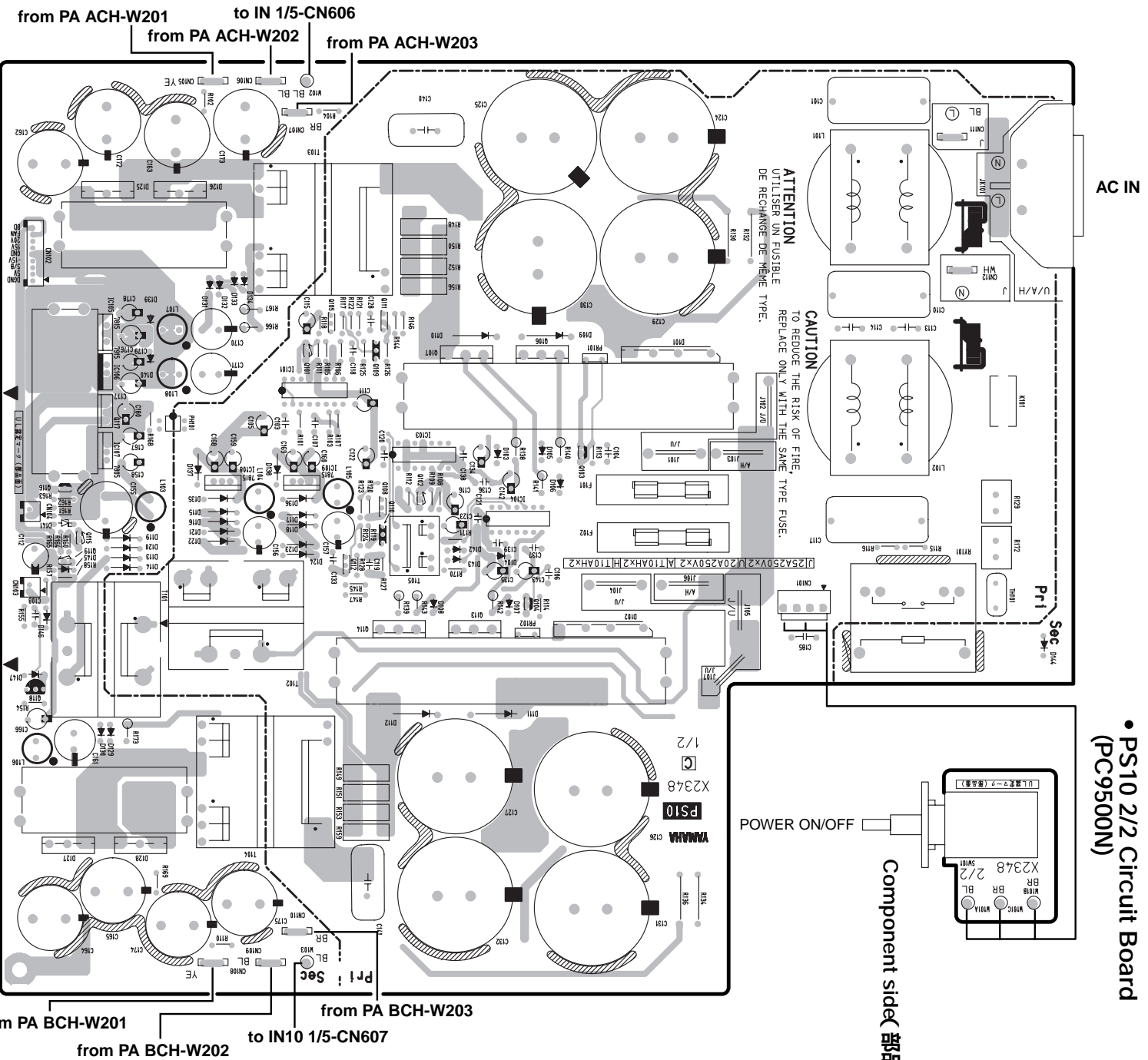
• IN 5/5 Circuit Board



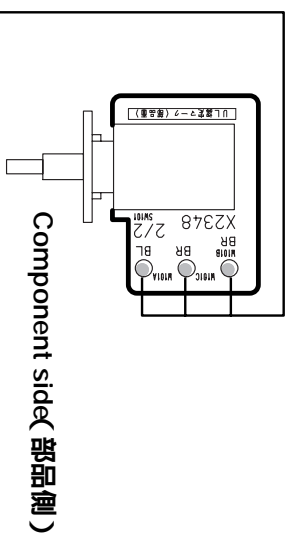
• PA Circuit Board (PC9500N: PA10, PC4800N: PA5)



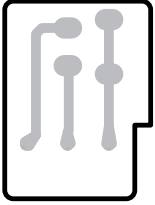
● PS10 1/2 Circuit Board (PC9500N)



● PS10 2/2 Circuit Board (PC9500N)

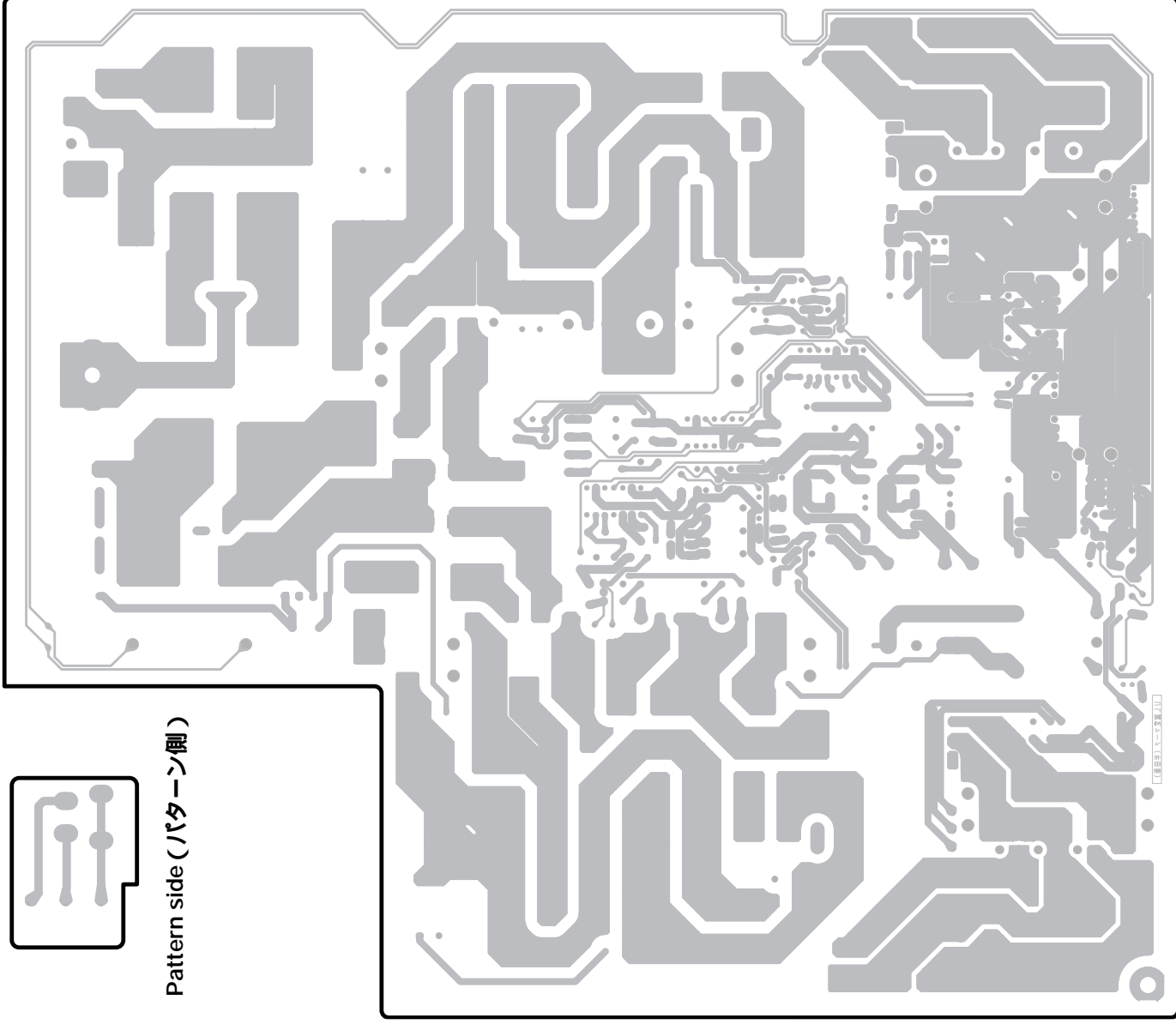


• PS10 2/2 Circuit Board
(PC9500N)



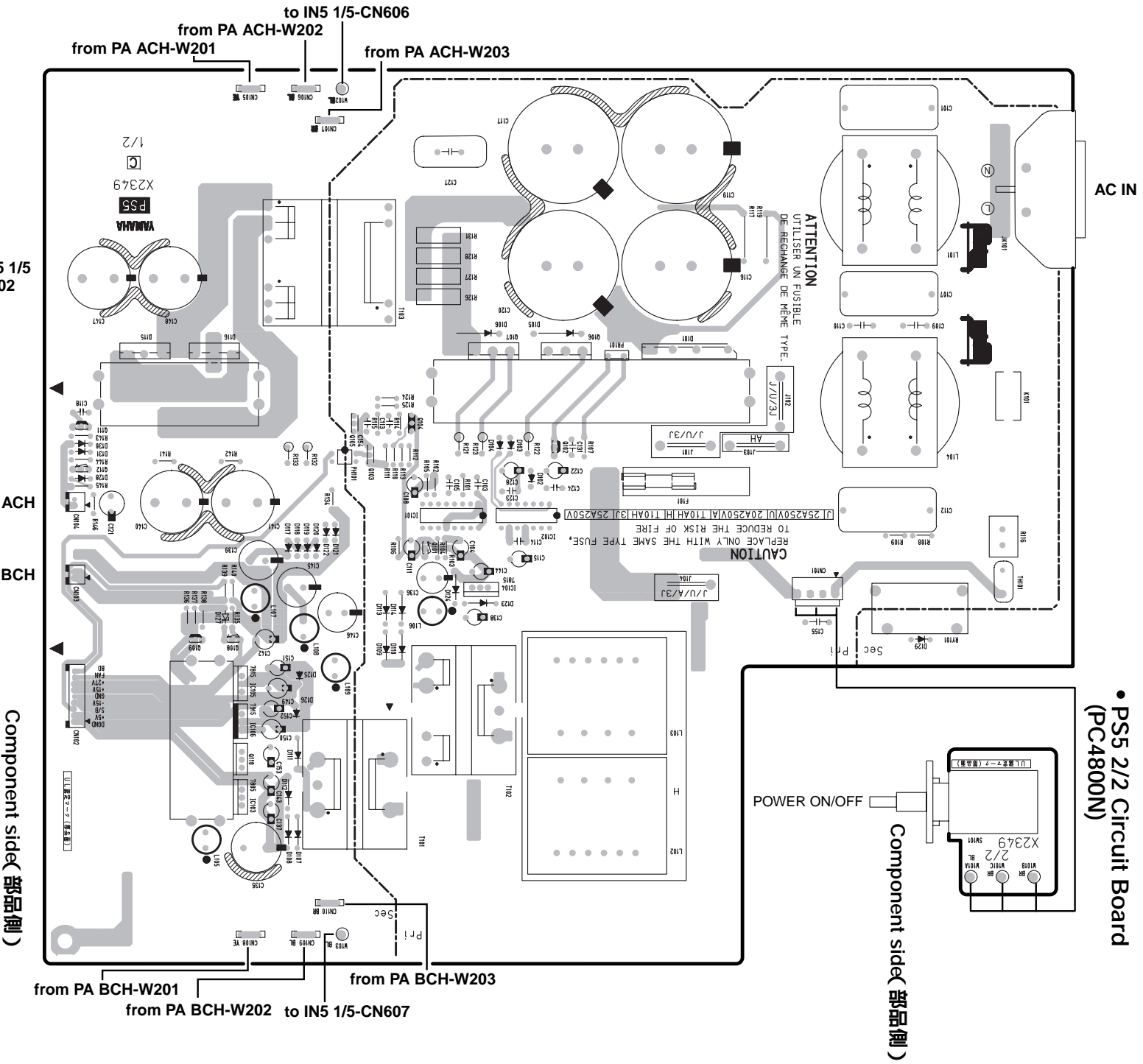
Pattern side (パターン側)

• PS10 1/2 Circuit Board (PC9500N)

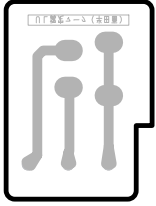


Pattern side (パターン側)

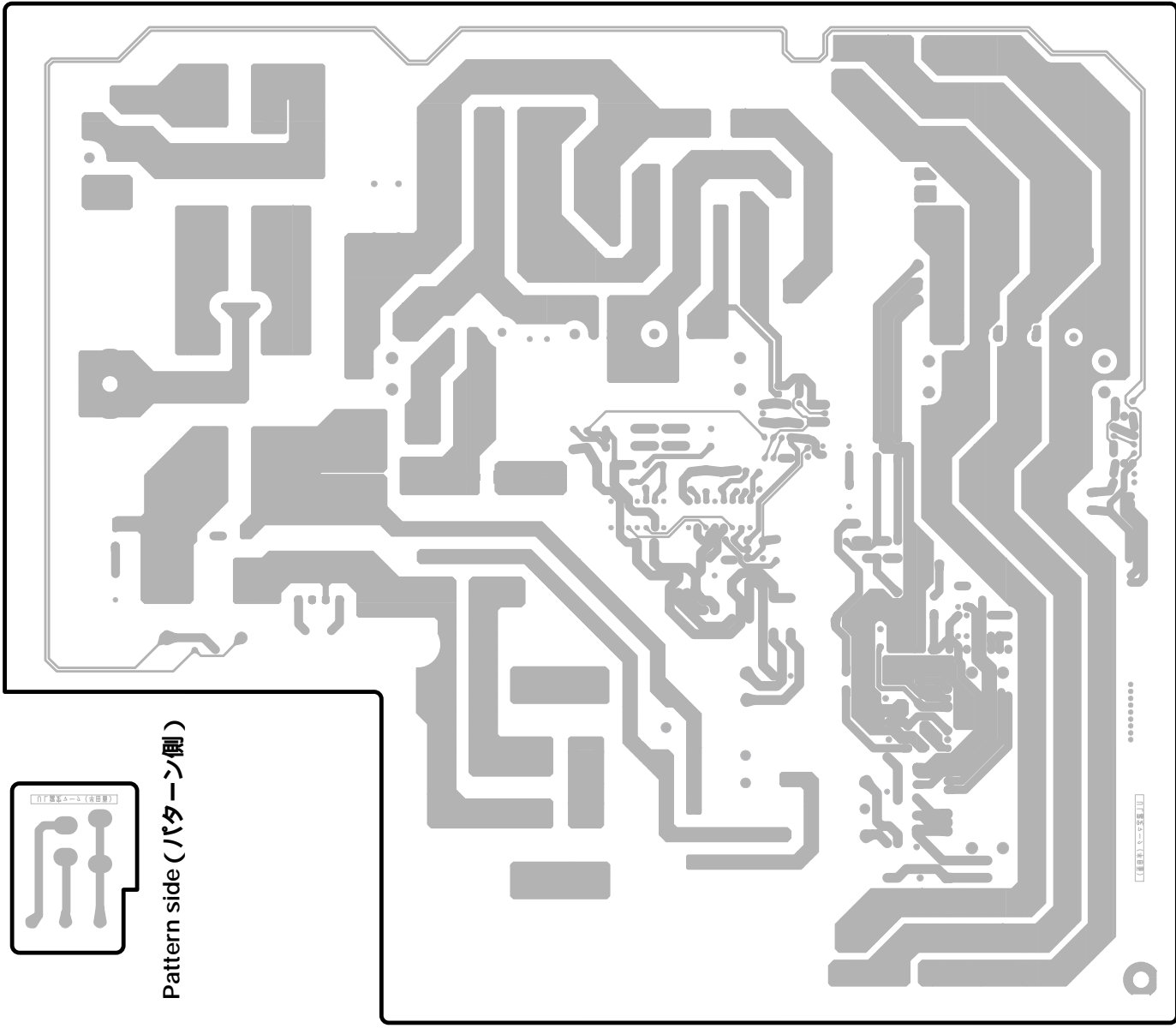
● PS5 1/2 Circuit Board (PC4800N)



- PS5 2/2 Circuit Board (PC4800N)
- PS5 1/2 Circuit Board (PC4800N)



Pattern side (パターン側)



Pattern side (パターン側)

■ INSPECTIONS

1. Inspections in STEREO mode and PARALLEL mode

1.1 Preparation

Input attenuator	MAX
Input terminal	XLR-3-31 type connector No.2: hot No.1,3: ground
MODE SW	STEREO
HPF	OFF
Output terminal	Unless otherwise specified, load resistance: 8Ω, Non-inductive resistance, power capacity: 1kW or more
Data port	Unused
AMP ID SW	1, 2, 4, 8, 16, T OFF
Others	Unless otherwise specified, both channels set for drive

1.2 Inspection and adjustment

1.2.1 Fan, POWER/PROTECTION LED

Turn on the POWER switch and check that the PROTECTION LED lights up and the POWER LED lights in green and also that the fan runs at a low speed.

1.2.2 Power ON muting time

Check that at 9 ± 3 seconds after turning on the POWER switch, the muting function is cancelled and the PROTECTION LED turns off.

1.2.3 Idling current

Ground the input terminal and adjust VR201(A ch) and VR202 (B ch) so that the DC voltage of No.1 to No.2 terminal of CN204 (A ch) and CN203 (B ch) is $V_b=0.1\pm 0.05\text{mV}$.

Also, after all inspections, check the V_b value again and adjust so that $V_b=0.1\pm 0.05\text{mV}$ is obtained.

1.2.4 Output terminal DC voltage

Ground the input terminal and measure the DC voltage (V_{dc}) of the output terminal. It should be $V_{dc}=0\pm 10\text{mV}$.

(Perform this check within 10 to 20 seconds after turning on the power.)

1.2.5 Gain

Feed 1kHz, -10.0dB sine wave to the input terminal and check that $+22.1\pm 0.5\text{dB}$ output voltage is obtained then. This check should be performed in the PARALLEL mode, too.

1.2.6 Frequency response

· HPF OFF:

Feed 20Hz, 1kHz, 20kHz, -10dB sine wave to the input terminal and measure the output voltage at each time, and then check that the measured voltage at 20Hz is within $0.0\pm 0.5\text{dB}$ and that at 20kHz is within $-0.5\pm 0.5\text{dB}$ as compared with the output voltage at 1kHz.

· HPF ON:

Feed 40Hz, -10dB sine wave to the input terminal and measure the output voltage, and then check that the measured voltage is within $-3.0\pm 1.0\text{dB}$ as compared with the output voltage at 1kHz in the HPF OFF state.

1.2.7 Total harmonic distortion

Feed 1kHz high grade sine wave to the input terminal and check that the total harmonic distortion is 1% or less when the output given in the table below is obtained. Make sure to finish this check within 30 seconds.

PC9500N	PC4800N
1000W/8Ω (41.2dB/ch)	500W/8Ω (38.23dB/ch)

(Perform this check in the one channel drive state.)

1.2.8 Channel separation

Feed the sine wave as specified below to the input terminal of one channel and measure the output voltage. Also, measure the output voltage at the other channel grounded via a 600Ω resistance and check that the voltage measured here is less than -70dB as compared with the above measured voltage (0dB).

PC9500N	PC4800N
1KHz 6dB	1KHz 3dB

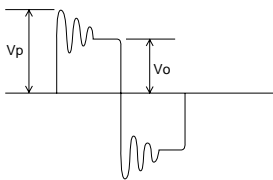
1.2.9 Output noise level

With the input attenuator set at MAX, the input terminal grounded via a 600Ω resistance, measure the noise level occurring at the output terminal and check that it is -65dB or lower. Next, measure the noise level again with the input attenuator set at MIN. It should be -70dB or lower.

1.2.10 Stability

Feed 10kHz, -10dB rectangular wave, connect 10pF to 0.47μF capacity in parallel with a 4Ω load resistance and check that the following conditions are satisfied.

Overshoot: $V_p/V_o \leq 1.8$
 Ringing: Within 5 waves



Next, connect a resistance of only net capacity of 10pF to 0.47μF and check that the following conditions are satisfied.

$V_p/V_o \leq 2.5$

Ringing should converge within 7 waves and cause no oscillation, etc. to occur

1.2.11 Protection circuit

Feed 10Hz, +10.0dB sine wave and have the output waveform clipped, and check that the protection circuit functions then to prevent the relay from opening. Next, feed 1Hz, 5.0dB sine wave and check that the protection circuit functions within 2 seconds to shut off the output and the PROTECTION LED lights in red.

After that, turn off the input signal, turn on the POWER switch again and check that the PROTECTION LED lights in red and the POWER LED lights in green. Also, check that the muting function is cancelled about 9 seconds after that.

1.2.12 Efficiency

① Feed 1kHz, 0dB sine wave to the input terminal, measure the primary power and check that the measured value is within the range given in the table below.

PC9500N	450 ± 30W
PC4800N	435 ± 30W

② Ground the input terminal via 600Ω resistance, measure the primary power and check that the measured value is within the range given in the table below.

PC9500N	60 ± 10W
PC4800N	45 ± 10W

1.2.13 PC limiter and compressor

Feed 1kHz, 0dB sine wave to the input terminal, connect 1Ω (±5%) resistance to the output terminal, and check that the output obtained then is as specified in the table below and that the clip indicator is lit at that time.

Make sure to finish this check within 30 seconds.

PC9500N	PC4800N
29.5 ± 1.5dB	26 ± 1dB

1.2.14 Level meter (no load)

Feed 1kHz sine wave to the input terminal and set the input signal so that the voltage obtained at the output terminal is as specified in the table below.

PC9500N	PC4800N
63.3V	44.7V

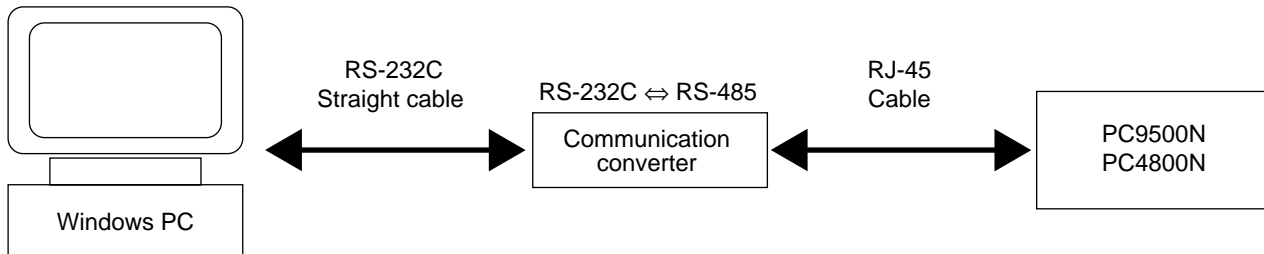
Adjust VR702 so that "3" of the A ch level meter lights up. And then, adjust VR704 so that "3" of the B ch level meter lights up. After that, lower the input voltage by 1dB and check that "3" turns off.

2 Data port inspection

2.1 Preparation

2.1.1 Connection

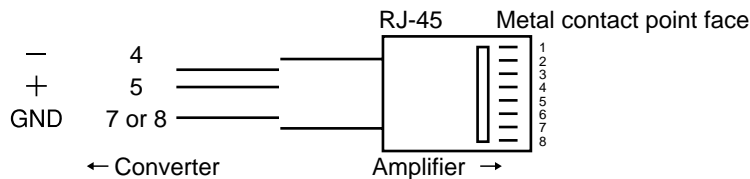
Connect the serial port of Windows PC and the DATA PORT of the power amplifier via the communication converter as shown below.



Note) Operation of the communication converters listed below has already been checked.

Communication converter	DIP SW state
RS-232/485 converter SI-30 (manufactured by LINEEYE)	DIP SW: 1-5=ON
RS-232/485 converter SI-35 (manufactured by LINEEYE)	DIP SW: 1-3=ON, 4=OFF, 5=ON

Connection diagram of RJ-45 cable



2.2 Setting

Start up the terminal software (Hyper Term, Tera Term, etc.) of the PC and make settings as follows.

Bit rate	38400bps
length	8bit
Stop bit	1bit
Parity	None
Communication control	None

2.3 Inspections

2.3.1 Initial setting

Make connections as described under 2.1.1 Connection and with the terminal software started up, turn on the power to the amplifier and press twice the return key of the Windows PC keyboard within 15 seconds.

Feed 1kHz, 0dB sine wave to the input terminal and check that the monitor screen appears as shown below.

```
<<<<< PC-N Series Amplifier Test Program >>>>>
- FIRMWARE VERSION: V*.**
- TEST PROGRAM VERSION: V*.**
```

*.**: Version No.

2.3.2 REMOTE, MODEL ID check

Using the keyboard of Windows PC, press the return key once and check that REMOTE LED lights up. The monitor screen appears as shown below (for PC4800N).

MODEL ID: 0 (PC9500N), MODEL ID: 1 (PC4800N)

```
MODEL ID : 1(PC4800N)
#
```


2.3.3 Automatic inspection

2.3.3.1 TEST 10 (STANDBY, PROTECT)

Using the keyboard of Windows PC, enter 00 and check that PROTECTION LED lights up and POWER LED lights in orange. (POWER LED lights in orange for about 2 seconds and then changes to green.)

The monitor screen appears as shown below and judgment is made automatically.

```
>>00:ALL TEST
>>10:POWER TEST
Waiting for PROTECTION=NONE...
PROTECTION :NONE--<OK>
POWER:STANDBY
Wait 2sec..
PROTECTION :ON--<OK>
POWER:ON
-----<TEST10:OK>
```

When the TEST 10 result is OK, “-----<TEST 10:OK>” appears on the screen.

The test program proceeds to TEST 20 automatically after TEST 10.

2.3.3.2. TEST 20 (PHASE Ach/Bch)

The monitor screen appears as shown below.

Check that the Ach input signal is deviated from the Ach output signal by 180° in phase and press the return key.

```
>>20:PHASE TEST
Waiting for PROTECTION=NONE...
CH A:PHASE INVERTED
```

After pressing the return key, the monitor screen appears as shown below.

Check that the Bch input signal is deviated from the Bch output signal by 180° in phase and press the return key.

```
CH B:PHASE INVERTED
_
```

When the TEST 20 result is OK, “-----<TEST 20:OK>” appears on the screen.

The test program proceeds to TEST 30 automatically after TEST 20.

2.3.3.3 TEST 30 (REMOTE)

The monitor screen appears as shown below.

Check that REMOTE LED is off and press the return key.

```
>>30:REMOTE TEST
REMOTE:OFF
_
```

When the TEST 30 result is OK, “-----<TEST 30:OK>” appears on the screen.

The test program proceeds to TEST 40 automatically after TEST 30.

2.3.3.4 TEST 40 (ATT)

The monitor screen appears as shown below and judgment is made automatically.

```
>>40:ATT TEST
ATT=-6dB
VSP(CH A):14.64V--<OK>
VSP(CH B):14.75V--<OK>
-----<TEST40:OK>
```

When the TEST 40 result is OK, “-----<TEST 40:OK>” appears on the screen.

The test program proceeds to TEST 50 automatically after TEST 40.

2.3.3.5 TEST 50 (MUTE)

The monitor screen appears as shown below and judgment is made automatically.

```
>>50:MUTE TEST
MUTE ON
VSP(CH A): 0.00V--<OK>
VSP(CH B): 0.00V--<OK>
-----<TEST50:K>
```

When the TEST 50 result is OK, "-----<TEST 50:OK>" appears on the screen. The test program proceeds to TEST 60 automatically after TEST 50.

2.3.3.6 TEST 60 (MODE SW)

The monitor screen appears as shown below.

```
>>60:MODE SW TEST
MODE:STEREO
MODE:BRIDGE
```

Change the MODE switch setting in the order of BRIDGE -> PARALLEL -> STEREO.

When the TEST 60 result is OK, the screen appears as follows.

```
MODE: STEREO
MODE: BRIDGE
MODE: PARALLEL
-----<TEST 60:END>
```

The test program proceeds to TEST 70 automatically after TEST 60.

2.3.3.7 TEST 70 (UNIT ID SW)

The monitor screen appears as shown below.

```
>>70:UNIT ID SW TEST
-00000
-00001
```

After that AMP ID1, ID2, ID4, ID8 and ID16 are turned on one after another and the monitor screen appears as shown below.

```
>>70:UNIT ID SW TEST
-00000
-00001
-00011
-00111
-01111
-11111
-----<TEST70:END>
```

When the TEST 70 result is OK, "-----<TEST 70:END>" appears on the screen. The test program proceeds to TEST 80 automatically after TEST 70.

2.3.3.8 TEST 80 (MONITOR)

The monitor screen appears as shown below and judgment is made automatically.

```
>> 80:MONITOR TEST
TEMP(CH A):29C--<OK>
TEMP(CH B):28C--<OK>
Vpre(CH A):0.67V--<OK>
Vpre(CH B):0.65V--<OK>
VSP(CH A):29.95V--<OK>
VSP(CH B):30.28V--<OK>
ISP(CH A):3.37A--<OK>
ISP(CH B):3.30A--<OK>
-----<TEST80:OK>
```

When the TEST 80 result is OK, "-----<TEST 80:END>" appears on the screen.
The test program proceeds to TEST 90 automatically after TEST 80.

2.3.3.9 TEST 90 (CLIP)

The monitor screen appears as shown below.

```
>>90:CLIP TEST
Waiting for CLIP=NONE...(CH A)
Waiting for CLIP=NONE...(CH B)
-----<TEST90:OK>
Waiting for CLIP=ON...(CH A)
```

Remove the load resistance and feed 1kHz, 10dB sine wave to the input terminal

When the TEST 90 result is OK, the screen appears as follows.

```
Waiting for CLIP=ON... (CH A)
Waiting for CLIP=ON... (CH B)
-----<TEST90:OK>
```

2.4 Judgment

When the results of all the automatic test items are OK, "-----<TEST ALL:OK>" appears on the screen.

When any of the automatic test items has resulted in NG, that particular test is indicated.

(The example below shows when TEST 40 and TEST 80 have resulted in NG)

```
----->>>TEST ALL:NG!<<<
-----<TEST 40: NG>
-----<TEST 80: NG>
```

<Reference>

Described below is the procedure to perform each data port test individually.

1. Preparation

Same as DATA PORT check (automatic)

2. Setting

Same as DATA PORT check (automatic)

3. Check

Make the same initial setting as DATA PORT check (automatic) and perform REMOTE and MODEL ID checks.

After that, enter the number of the test to be executed by using the keyboard of Windows PC.

In this way, the DATA PORT tests can be performed individually.

3. BRIDGE mode

3.1 Preparation

Input attenuator	Operation for Ach only. MAX.
Input terminal	XLR-3-31 type
MODE switch	BRIDGE
HPF	OFF
Output terminal	Ach + and Bch+ used.
DATA port	Unused
AMP ID switch	1,2,4,8,16,T OFF
Load resistor	8Ω+8Ω non-inductive resistance, power capacity 1kW or more
Connection of measuring instrument	Connect to the mid-point of load resistor with the ground floated.

3.2 Inspection

3.2.1 Gain

Feed 1kHz, -10.0dB sine wave to the input terminal and check that +22.1±1.0dB output voltage is obtained.

3.2.2 Frequency response

Feed 20Hz, 1kHz, 20kHz, -10dB sine wave to the input terminal and measure the output voltage at each time, and then check that the measured voltage at 20Hz is within 0.0±0.5dB and that at 20kHz is within -0.5±0.5dB as compared with the output voltage at 1kHz.

3.2.3 Total harmonic distortion

Feed 1kHz high grade sine wave to the input terminal and check that the total harmonic distortion is 1% or less when the output given in the table below is obtained. Make sure to finish this check within 30 seconds.

PC9500N	PC4800N
41.2dB	38.2dB

4. Factory setting

Input attenuator: ∞(turned counterclockwise fully)

HPF: OFF

MODE: STEREO

AMP ID: OFF

5. Others

0dB=0.775V

Use a DIN audio filter when measuring the noise level,.

■ 検査

1. STEREO モード、PARALLEL モード時の検査

1.1 準備

入力アッテネーター	MAX
入力端子	XLR-3-31 type 2番ホット 1,3番アース
MODE SW	STEREO
HPF	OFF
出力端子	指定のない場合は、負荷抵抗 8 無誘導抵抗 電力容量 1KW 以上
DATA PORT	使用しない。
AMP ID SW	1, 2, 4, 8, 16, T OFF
その他	指定のない場合は、両 ch 駆動とする。

1.2 検査及び調整

1.2.1 ファン、POWER/PROTECTION LED

電源 SW 投入時、PROTECTION LED が点灯し、POWER LED が緑色に点灯することを確認します。
またファンがロースピードで、回転することを確認します。

1.2.2 パワー ON ミューティング時間

電源 SW 投入後、 $t=9 \pm 3$ 秒にて、ミューティングが解除され PROTECTION LED が消灯することを確認します。

1.2.3 アイドリング電流

入力端子を接地して CN204 (A ch)、CN203 (B ch) の 1-2 番端子の直流電圧 $V_b=0.1 \pm 0.05\text{mV}$ となるように VR201 (A ch)、VR202 (B ch) を調整します。

また全検査終了後、再度 V_b の検査を行い、 $V_b=0.1 \pm 0.05\text{mV}$ となるように調整します。

1.2.4 出力端子 直流電圧

入力端子を接地し、出力端子の直流電圧 V_{dc} を測定し、 $V_{dc}=0 \pm 10\text{mV}$ であることを確認します。
(この検査は、電源投入後 10 ~ 20 秒の間に行ってください。)

1.2.5 利得

入力端子に 1kHz、-10.0dB の正弦波を入力した時、 $+22.1 \pm 0.5\text{dB}$ の出力電圧を得ることを確認します。
この検査は PARALLEL モードでも行います。

1.2.6 周波数特性

・HPF OFF :

入力端子に、20Hz, 1kHz, 20kHz, -10dB の正弦波を入力した時、出力電圧が、1kHz の出力電圧を基準に、20Hz では、 $0.0 \pm 0.5\text{dB}$ 以内、20kHz では、 $-0.5 \pm 0.5\text{dB}$ 以内であることを確認します。

・HPF ON :

入力端子に、40Hz、-10dB の正弦波を入力した時の出力電圧が、HPF OFF 時 1kHz の出力電圧を基準に $-3.0 \pm 1.0\text{dB}$ 以内であることを確認します。

1.2.7 全高調波歪率特性

入力端子に、1kHz の高品位正弦波を入力し、下表の出力を得たとき全高調波歪率が、 $\text{THD}=1\%$ 以下であることを確認します。
なお、この検査は、30 秒以内に終了してください。

PC9500N	PC4800N
1000W/8 (41.2dB/ch)	500W/8 (38.23dB/ch)

(この検査は片 CH 駆動で行ってください。)

1.2.8 チャンネルセパレーション

1つのチャンネルの入力端子に、下表の正弦波を入力して得られた、出力電圧を基準レベル (0dB) として、入力端子が、600 の抵抗を介して接地された他方チャンネルの出力電圧を測定し -70dB 以下であることを確認します。

PC9500N	PC4800N
1kHz 6dB	1kHz 3dB

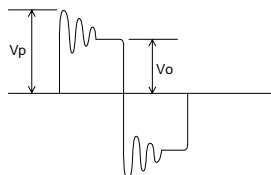
1.2.9 出力ノイズレベル

入力アッテネーターを MAX、入力端子を、600Ω の抵抗を介して接地し、出力端子に発生するノイズレベルを測定し、-65dB 以下であることを確認します。次に入力アッテネーターを MIN にし、ノイズレベルは -70dB 以下であることを確認します。

1.2.10 安定度

10kHz、-10dB の、矩形波を入力し、負荷抵抗 4Ω に並列に 10pF ~ 0.47μF の容量を接続した時、以下の項目を満足することを確認します。

オーバーシュート: V_p/V_o 1.8
リンギング : 5 波以内



次に、負荷を純容量 10pF ~ 0.47μF のみとした時

V_p/V_o 2.5

リンギングは、7 波以内にて収束し、発振などを生じないことを確認します。

1.2.11 プロテクション回路

10Hz、+10.0dB の正弦波を入力し、出力波形をクリップさせた時、プロテクション回路が作動してリレーがオープンしないことを確認します。次に、1Hz、5.0dB の正弦波を入力した時、プロテクション回路が 2 秒以内に作動して出力を遮断し、PROTECTION LED が赤色に点灯することを確認します。

その後、入力信号を切り電源 SW を再投入すると、PROTECTION LED が赤色に点灯し、POWER LED が緑色に点灯します。その後約 9 秒にて、ミュート解除することを確認します。

1.2.12 効率

① 入力端子に 1kHz、0dB の正弦波を入力して、一次電力を測定し下表の範囲内であることを確認します。

PC9500N	450 ± 30W
PC4800N	435 ± 30W

② 入力端子を 600Ω の抵抗を介して接地して、一次電力を測定し下表の範囲内であることを確認します。

PC9500N	60 ± 10W
PC4800N	45 ± 10W

1.2.13 PC リミッター及びコンプ

入力端子に 1kHz、0dB の正弦波を入力して、出力端子に負荷として 1Ω (± 5%) を接続します。

この時、下表の出力がえられることを確認します。

またその時、クリップインジケータが点灯していることを確認します。なお、この検査は 30 秒以内に終了してください。

PC9500N	PC4800N
29.5 ± 1.5dB	26 ± 1.5dB

1.2.14 レベルメータ (無負荷とする)

入力端子に 1kHz の正弦波を入力し出力端子電圧が下表電圧になるように入力信号を設定します。

PC9500N	PC4800N
63.3V	44.7V

A ch レベルメータの "3" が点灯するように VR702 を調整します。次に B ch レベルメータの "3" が点灯するように VR704 を調整します。

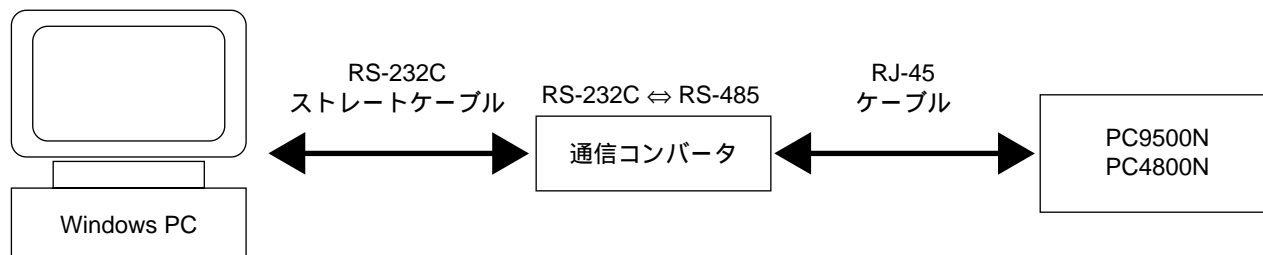
その後、入力電圧を 1dB 下げて、"3" の消灯を確認します。

2. DATA PORT 検査

2.1 準備

2.1.1 接続

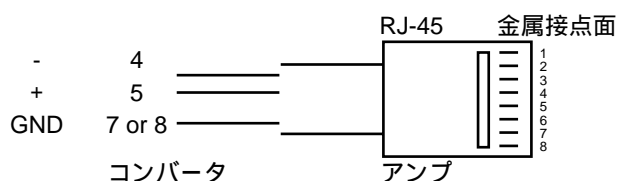
下図に示すように Windows PC のシリアルポートとパワーアンプの DATA PORT を通信コンバータを介して接続します。



注) 下記の通信コンバータは動作確認済みです。

通信コンバータ	DIP SW の状態
PS-232/485 コンバータ SI-30 (LINEEYE 社製)	DIP SW: 1-5=ON
PS-232/485 コンバータ SI-35 (LINEEYE 社製)	DIP SW: 1-3=ON, 4=OFF, 5=ON

RJ-45 ケーブルの結線図



2.2 設定

PC のターミナルソフト (Hyper Term, Tera Term 等) を起動し、下表のように設定します。

ビットレート	38400bps
データ長	8bit
ストップビット	1bit
パリティ	なし
通信制御	なし

2.3 検査

2.3.1 初期設定

2.1.1 接続に示す接続を行い、ターミナルソフトを立ち上げた状態でアンプ電源を投入し、15sec 以内に windows PC のキーボードよりリターンを 2 回入力します。

入力端子には 1kHz, 0dB の正弦波を入力します。その時、モニタ画面が次の文字を表示する事を確認します。

```
<<<<< PC-N Series Amplifier Test Program >>>>
- FIRMWARE VERSION: V*.**
- TEST PROGRAM VERSION: V*.**
```

*.**: バージョン番号

2.3.2 REMOTE、MODEL ID 検査

Windows PC のキーボードよりリターンを 1 回入力します。REMOTE LED が点灯することを確認します。

そのときモニタ画面が次の文字を表示します。(下記は PC4800N の場合です。)

MODEL ID : 0(PC9500N)、MODEL ID : 1(PC4800N)

```
MODEL ID : 1(PC4800N)
#
```

2.3.3 自動検査

2.3.3.1 TEST 10 検査 (STANDBY,PROTECT)

Windows PC のキーボードより 00 の文字を入力します。(半角文字)

PROTECTION LED が点灯し、POWER LED が橙色に点灯します。

(POWER LED は約 2sec の間、橙色に点灯します。その後、緑色に変わります。)

モニタ画面が次の文字を表示し、自動で判定を行います。

```
>>00:ALL TEST
>>10:POWER TEST
Waiting for PROTECTION=NONE...
PROTECTION :NONE--<OK>
POWER:STANDBY
Wait 2sec..
PROTECTION :ON--<OK>
POWER:ON
-----<TEST10:OK>
```

TEST10 が OK の場合は

-----<TEST10:OK> が表示されます。

TEST10 終了後自動で TEST20 に進みます。

2.3.3.2 TEST 20 検査 (PHASE Ach/Bch)

モニタ画面が次の文字を表示します。

Ach の入力信号と Ach の出力信号の位相が 180° ずれていることを確認し、リターンを入力します。

```
>>20:PHASE TEST
Waiting for PROTECTION=NONE...
CH A:PHASE INVERTED
```

リターン入力後、モニタ画面が下記の文字を表示します。

Bch の入力信号と Bch の出力信号の位相が 180° ずれていることを確認し、リターンを入力します。

```
CH B:PHASE INVERTED
-
```

TEST20 が OK の場合は

CH A/B:PHASE NORMAL

-----<TEST20:OK> が表示されます。

TEST20 終了後自動で TEST30 に進みます。

2.3.3.3 TEST 30 検査 (REMOTE)

モニタ画面が次の文字を表示します。

REMOTE LED が消灯していることを確認し、リターンを入力します。

```
>>30:REMOTE TEST
REMOTE:OFF
-
```

TEST30 が OK の場合は

REMOTE:ON

-----<TEST30:OK> が表示されます。

TEST30 終了後自動で TEST40 に進みます。

2.3.3.4 TEST 40 検査 (ATT)

モニタ画面が次の文字を表示し、自動で判定を行います。

```
>>40:ATT TEST
ATT=-6dB
VSP(CH A):14.64V--<OK>
VSP(CH B):14.75V--<OK>
-----<TEST40:OK>
```

TEST40 がOK の場合は

-----<TEST40:OK> が表示されます。

TEST40 終了後自動で TEST50 に進みます。

2.3.3.5 TEST 50 (MUTE)

モニタ画面が次の文字を表示し、自動で判定を行います。

```
>>50:MUTE TEST
MUTE ON
VSP(CH A): 0.00V--<OK>
VSP(CH B): 0.00V--<OK>
-----<TEST50:K>
```

TEST50 がOK の場合は

-----<TEST50:OK> が表示されます。

TEST50 終了後自動で TEST60 に進みます。

2.3.3.6 TEST 60 (MODE SW)

モニタ画面が次の文字を表示します。

```
>>60:MODE SW TEST
MODE:STEREO
MODE:BRIDGE
```

MODE SW を BRIDGE PARALLEL STEREO に切替えます。

TEST60 がOK の場合は

MODE:STEREO

MODE:BRIDGE

MODE:PARALLEL

-----<TEST60:END> が表示されます。

TEST60 終了後自動で TEST70 に進みます。

2.3.3.7 TEST 70 (UNIT ID SW)

モニタ画面が次の文字を表示します。

```
>>70:UNIT ID SW TEST
-00000
-00001
```

その後 AMP ID 1、ID 2、ID4、ID8、ID16 を順次 ON し、モニタ画面が次の文字を表示します。

```
>>70:UNIT ID SW TEST
-00000
-00001
-00011
-00111
-01111
-11111
-----<TEST70:END>
```

TEST70 が OK の場合は
 -----<TEST70:END> が表示されます。
 TEST70 終了後自動で TEST80 に進みます。

2.3.3.8 TEST 80 (MONITOR)

モニタ画面が次の文字を表示し、自動で判定を行います。

```
>> 80:MONITOR TEST
TEMP(CH A):29C--<OK>
TEMP(CH B):28C--<OK>
Vpre(CH A):0.67V--<OK>
Vpre(CH B):0.65V--<OK>
VSP(CH A):29.95V--<OK>
VSP(CH B):30.28V--<OK>
ISP(CH A):3.37A--<OK>
ISP(CH B):3.30A--<OK>
-----<TEST80:OK>
```

TEST80 が OK の場合は
 -----<TEST80:OK> が表示されます。
 TEST80 終了後自動で TEST90 に進みます。

2.3.3.9 TEST 90 (CLIP)

モニタ画面が次の文字を表示します。

```
>>90:CLIP TEST
Waiting for CLIP=NONE...(CH A)
Waiting for CLIP=NONE...(CH B)
-----<TEST90:OK>
Waiting for CLIP=ON...(CH A)
```

負荷抵抗を外し入力端子には 1kHz,10dB の正弦波を入力します。

TEST90 が OK の場合は
 Waiting for CLIP=ON...(CH A)
 Waiting for CLIP=ON...(CH B)
 -----<TEST90:OK> が表示されます。

2.4 判定

自動検査項目が全て OK の場合は
 -----<TEST ALL:OK> が表示されます。

自動検査項目の何れかが NG の場合は下記の様に NG となった TEST が表示されます。

(下記は TEST40, TEST80 で NG となった場合)

```
----->>>TEST ALL:NG!<<<
-----<TEST40:NG>
-----<TEST80:NG>
```

< 参考 >

DATA PORT の各 TEST を個別に行う場合を下記に示します。

1 準備

DATA PORT 検査 (自動) と同様

2 設定

DATA PORT 検査 (自動) と同様

3 検査

DATA PORT 検査 (自動) と同様に初期設定を行い、REMOTE、MODEL ID の検査を行います。

その後 Windows PC のキーボードより検査を行う TEST の NO を入力します。

これにより DATA PORT の TEST を個別に検査を行うことができます。

3. BRIDGE モード

3.1 準備

入力アッテネーター	A ch のみ作動。MAX。
入力端子	A ch XLR-3-31 type (2 番ホット、13 番ホット)
MODE SW	BRIDGE
HPF	OFF
出力端子	Ach +、Bch + を使用。
DATA PORT	使用しない。
AMP ID SW	1, 2, 4, 8, 16, T OFF
負荷抵抗	8 + 8 無誘導抵抗、電力容量 1kW 以上
測定器の接続	グラウンドをフローティングし、負荷抵抗の midpoint に接続する。

3.2 検査

3.2.1 利得

入力端子に 1kHz、-10.0dB の正弦波を入力した時、 $+22.1 \pm 1.0$ dB の出力電圧を得ることを確認します。

3.2.2 周波数特性

入力端子に、20Hz、1kHz、20kHz、-10dB の正弦波を入力したとき、出力電圧が、1kHz を基準に、20Hz では、 0.0 ± 0.5 dB、20kHz では、 -0.5 ± 0.5 dB 以内であることを確認します。

3.2.3 全高調波歪率特性

入力端子に 1kHz の高品位正弦波を入力し、下表の出力を得た時、全高調波歪率が、1% 以下であることを確認します。なお、この検査は、30 秒以内に終了してください。

PC9500N	PC4800N
41.2dB	38.2dB

4. 工場出荷時の設定

入力アッテネータ： (半時計方向に絞り切り)

HPF：OFF

MODE：STEREO

AMP ID：OFF

5. その他

0dB=0.775V ノイズレベルの測定は、DIN オーディオフィルターを使用してください。

OVERALL CIRCUIT DIAGRAMS(総回路図)

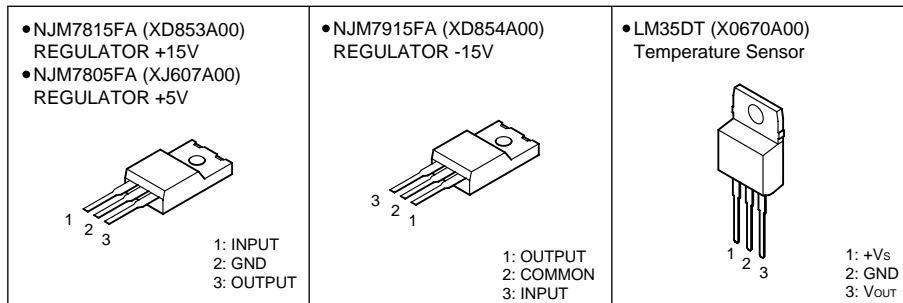
CONTENTS(目次)

PC9500N/PC4800N OVERALL CIRCUIT DIAGRAM 1/8 (IN 1/5, IN 3/5, IN 5/5) ...	C1
PC9500N/PC4800N OVERALL CIRCUIT DIAGRAM 2/8 (IN 1/5)	C2
PC9500N/PC4800N OVERALL CIRCUIT DIAGRAM 3/8 (IN 2/5)	C3
PC9500N/PC4800N OVERALL CIRCUIT DIAGRAM 4/8 (IN 1/5)	C4
PC9500N/PC4800N OVERALL CIRCUIT DIAGRAM 5/8 (IN 4/5)	C5
PC9500N/PC4800N OVERALL CIRCUIT DIAGRAM 6/8 (PA)	C6
PC9500N/PC4800N OVERALL CIRCUIT DIAGRAM 7/8 (PS10)	C7
PC9500N/PC4800N OVERALL CIRCUIT DIAGRAM 8/8 (PS5)	C8

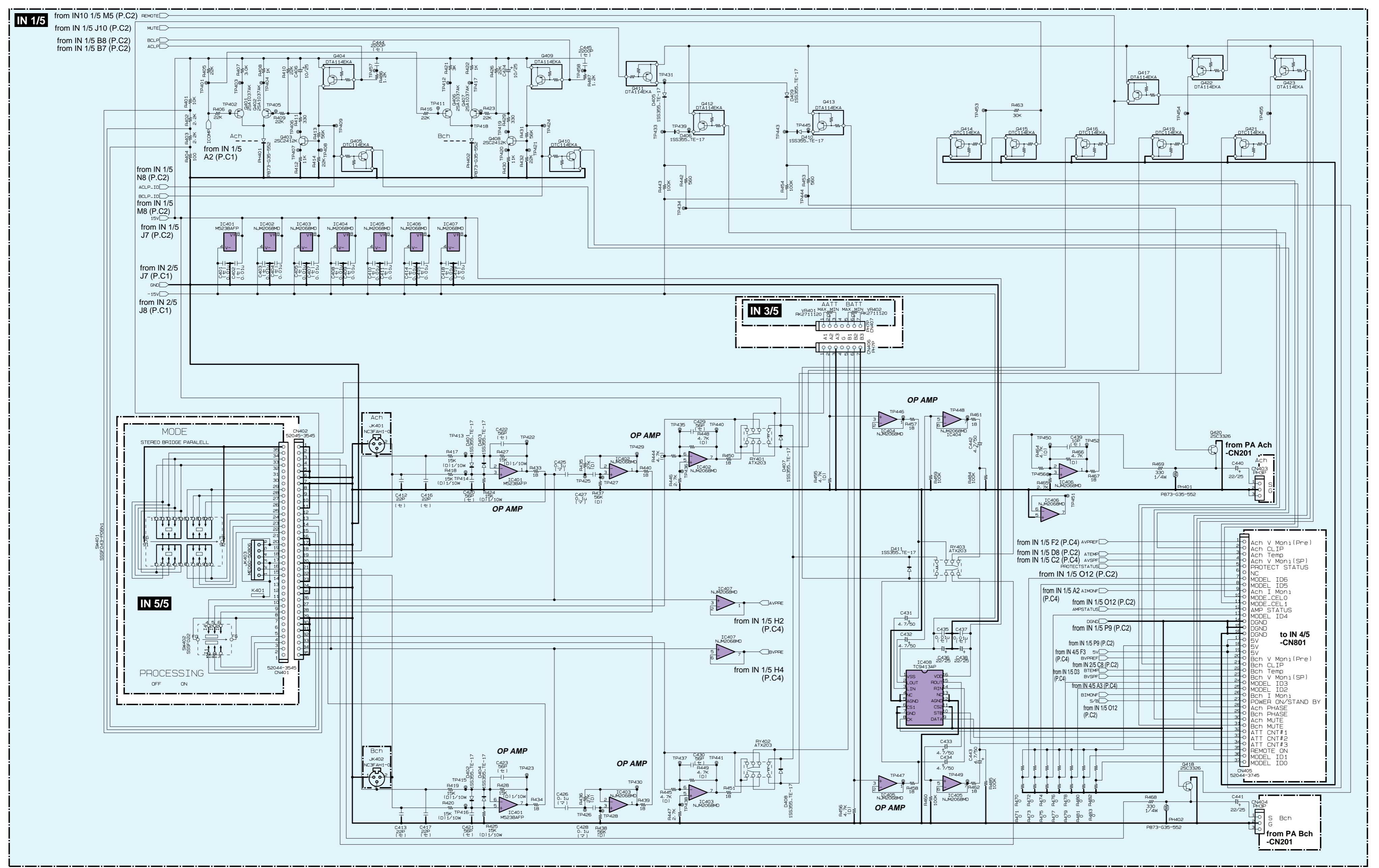
- (セ) : Ceramic Capacitor (セラコン)
 (マ) : Mylar Capacitor (マイラーコン)
 酸金 : Oxide Film Resistor (サンキン抵抗)
 (フ) : Flame Proof C. Resistor (不燃化カーボン抵抗)
 セメント抵抗 : Wire Wound Resistor (セメント抵抗)
 規格認定コン : Capacitor (規格認定コン)
 (F) : Flame Proof C. Resistor (不燃化カーボン抵抗)
 (マイカ) : Mica Capacitor (マイカコン)

Note : See parts list for details of circuit board component parts.

注 : シートの部品詳細はパーツリストをご参照下さい。



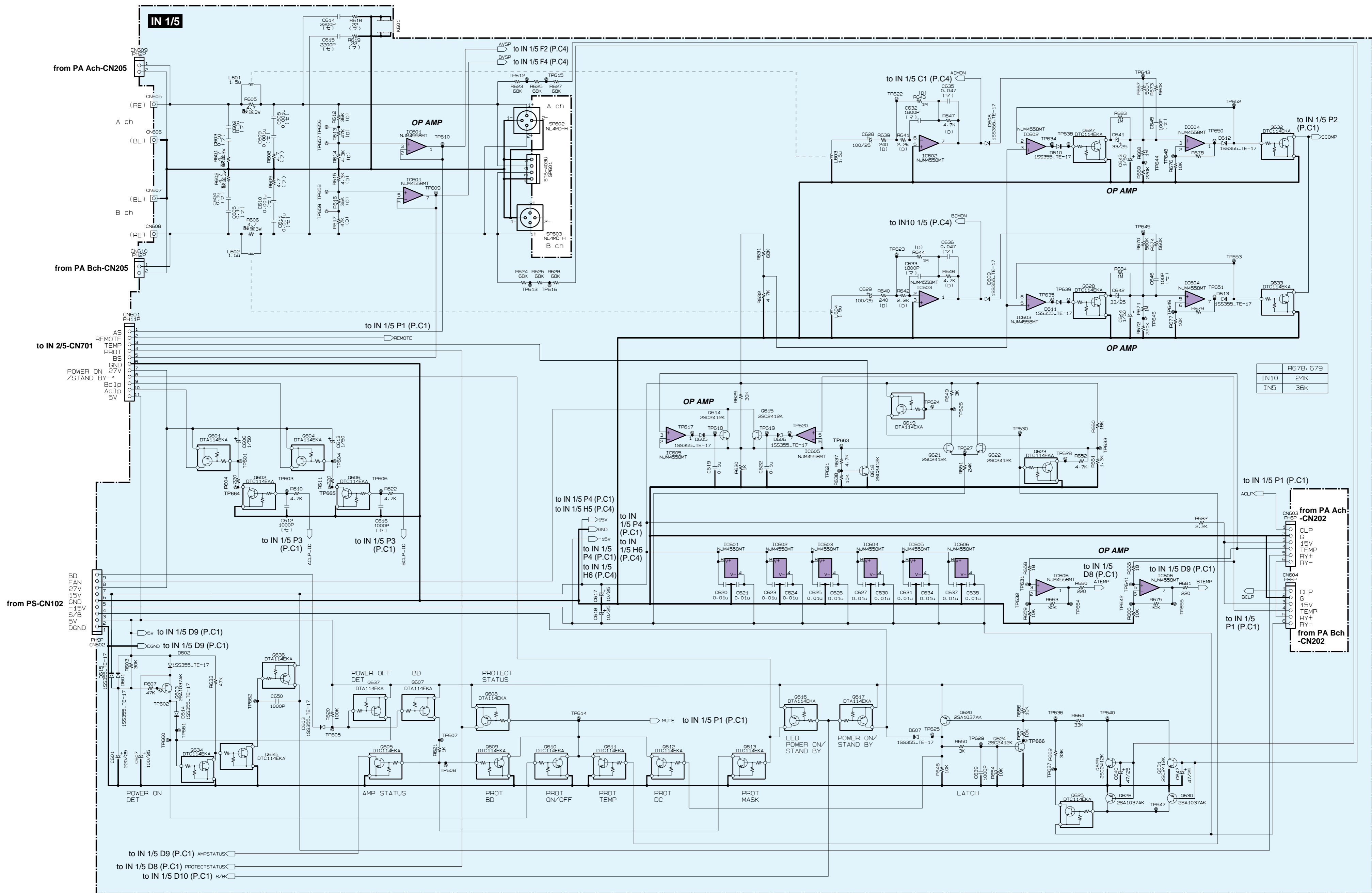
PC9500N/PC4800N OVERALL CIRCUIT DIAGRAM 1/8 (IN 1/5, IN 3/5, IN 5/5)



(セラ) : Ceramic Capacitor (セラコン)
 (マ) : Mylar Capacitor (マイラーコン)

Note : See parts list for details of circuit board component parts.
 注 : シートの部品詳細はパーツリストをご参照下さい。

3NA-V848170

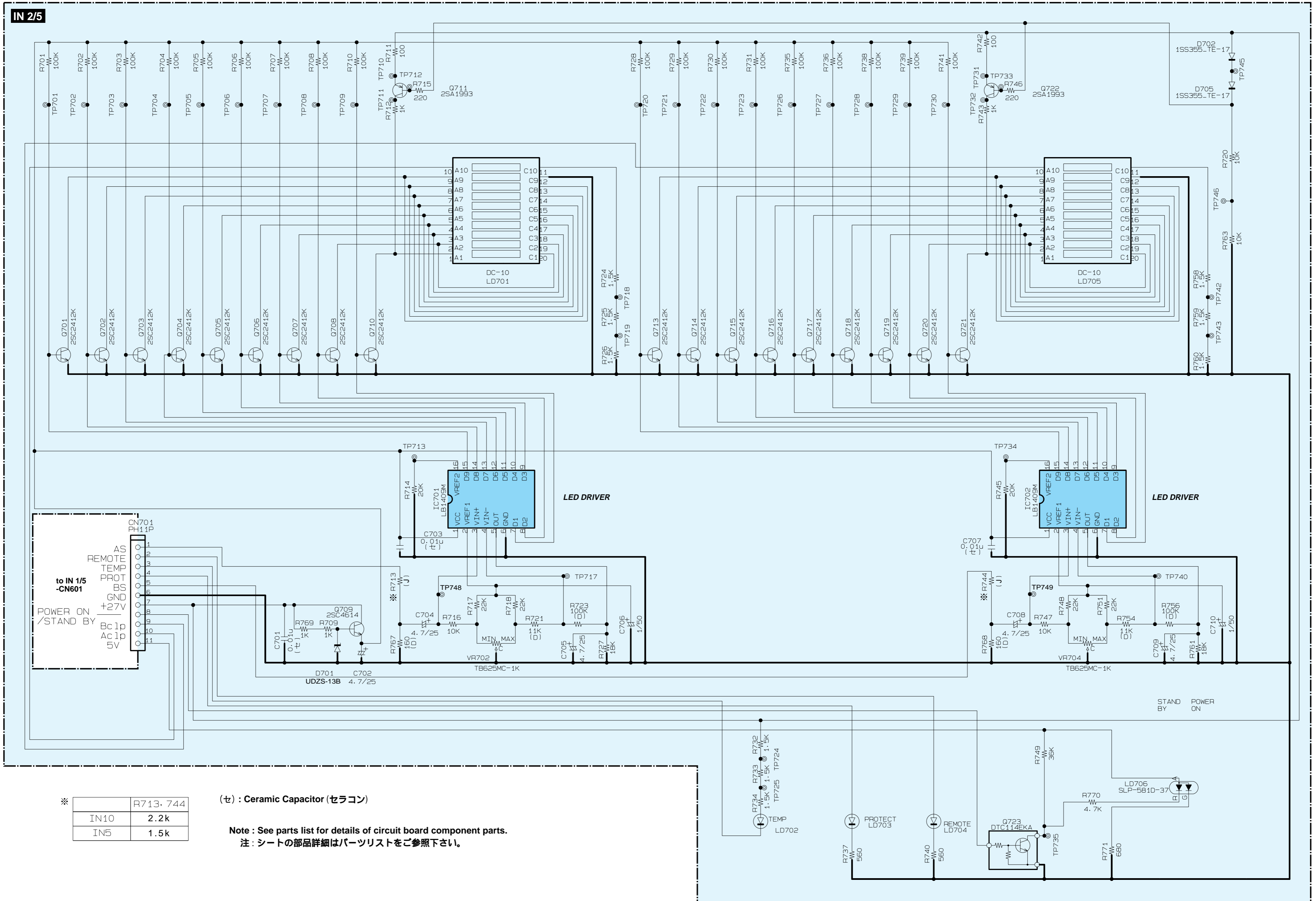


R678-679	
IN10	24k
IN5	36k

(セ) : Ceramic Capacitor (セラコン)
 (マ) : Mylar Capacitor (マイラーコン)
 酸金 : Oxide Film Resistor (サンキン抵抗)
 (フ) : Flame Proof C. Resistor (不燃化カーボン抵抗)

Note : See parts list for details of circuit board component parts.
 注 : シートの部品詳細はパーツリストをご参照下さい。

3NA-V848170



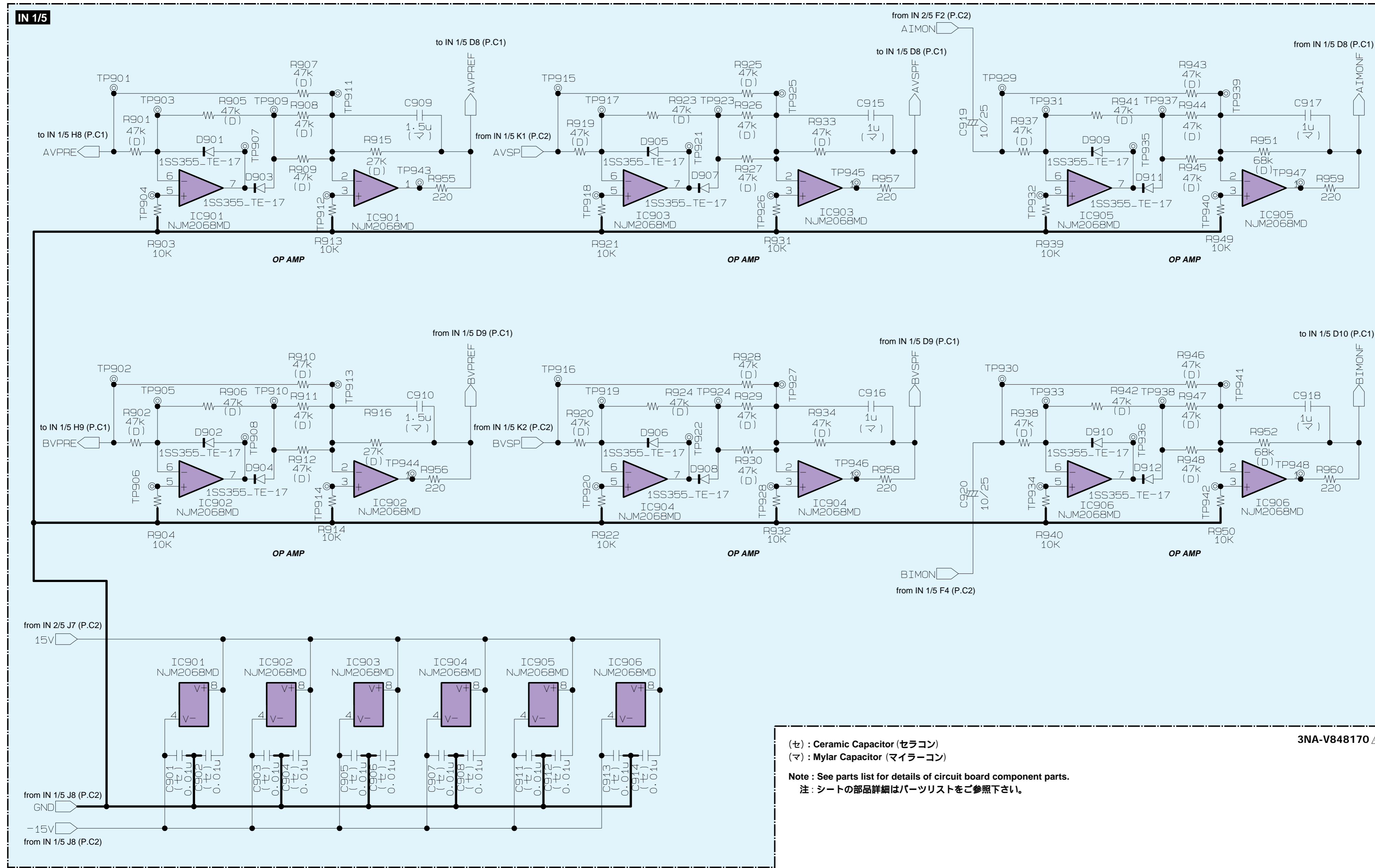
IN 2/5

※	R713, 744
	IN10 2.2k
	IN5 1.5k

(セ) : Ceramic Capacitor (セラコン)

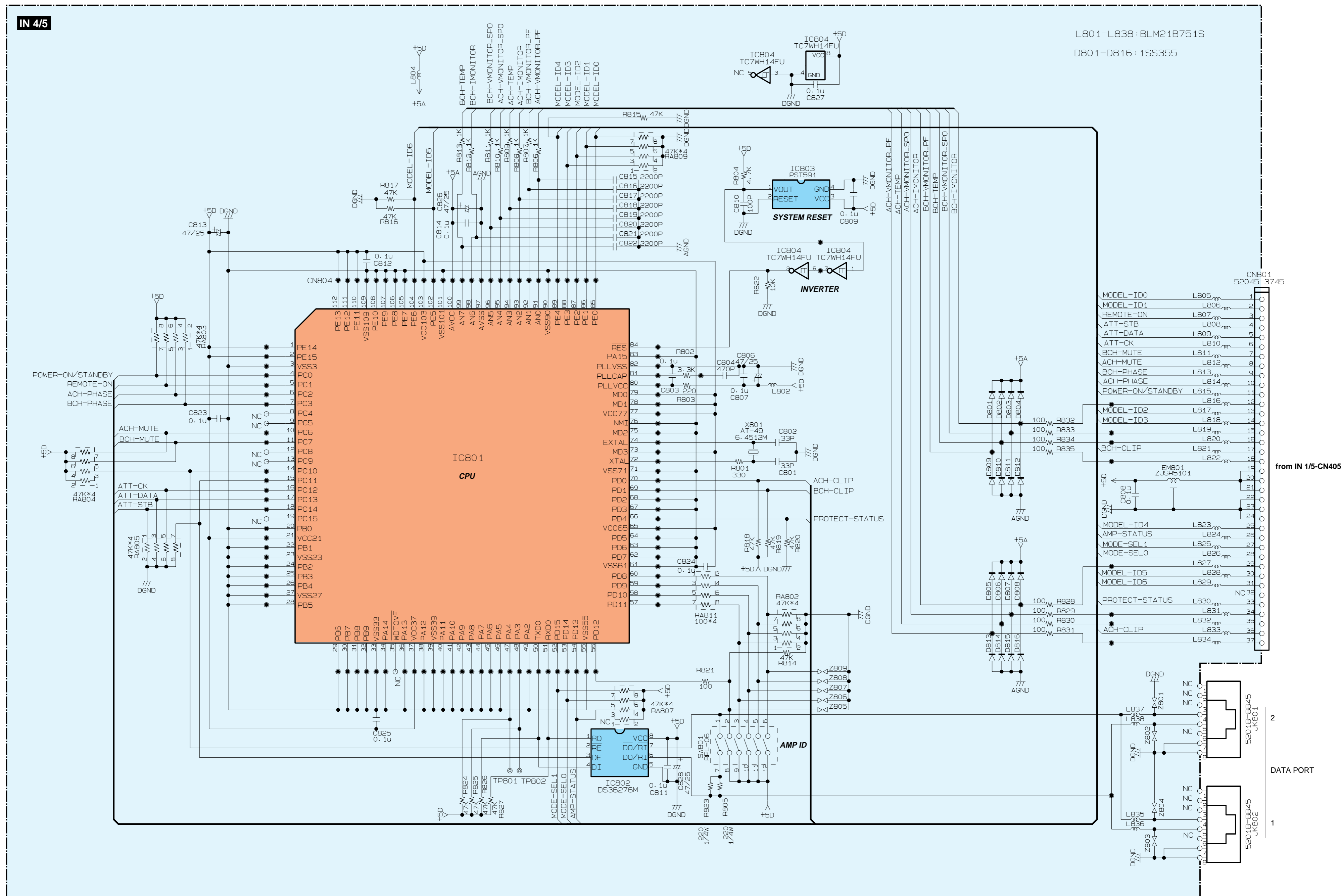
Note : See parts list for details of circuit board component parts.
注 : シートの部品詳細はパーツリストをご参照下さい。

3NA-V848170



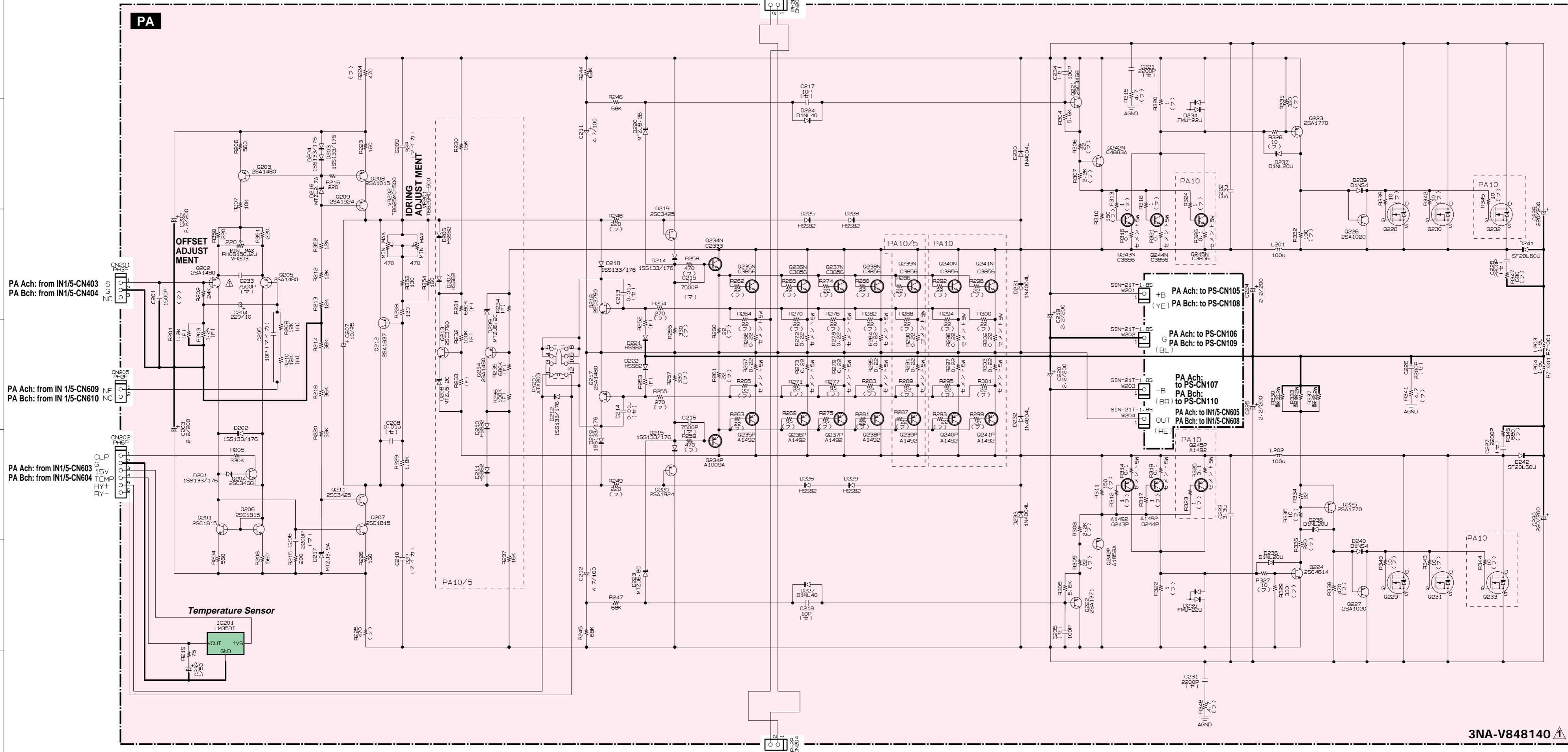
(セ) : Ceramic Capacitor (セラコン)
 (マ) : Mylar Capacitor (マイラーコン)
 Note : See parts list for details of circuit board component parts.
 注 : シートの部品詳細はパーツリストをご参照下さい。

3NA-V848170



Note : See parts list for details of circuit board component parts.
注 : シートの部品詳細はパーツリストをご参照下さい。

3NA-V848170



PA Ach: from IN1/5-CN403
PA Bch: from IN1/5-CN404

PA Ach: from IN1/5-CN609
PA Bch: from IN1/5-CN610

PA Ach: from IN1/5-CN604
PA Bch: from IN1/5-CN604

PA Ach: to PS-CN105
PA Bch: to PS-CN108

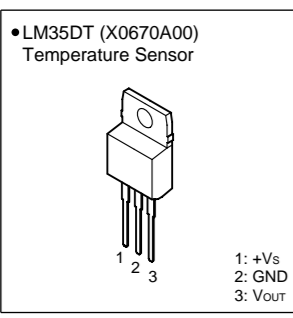
PA Ach: to PS-CN106
PA Bch: to PS-CN109

PA Ach: to PS-CN107
PA Bch: to PS-CN110

PA Ach: to IN1/5-CN605
PA Bch: to IN1/5-CN608

Temperature Sensor

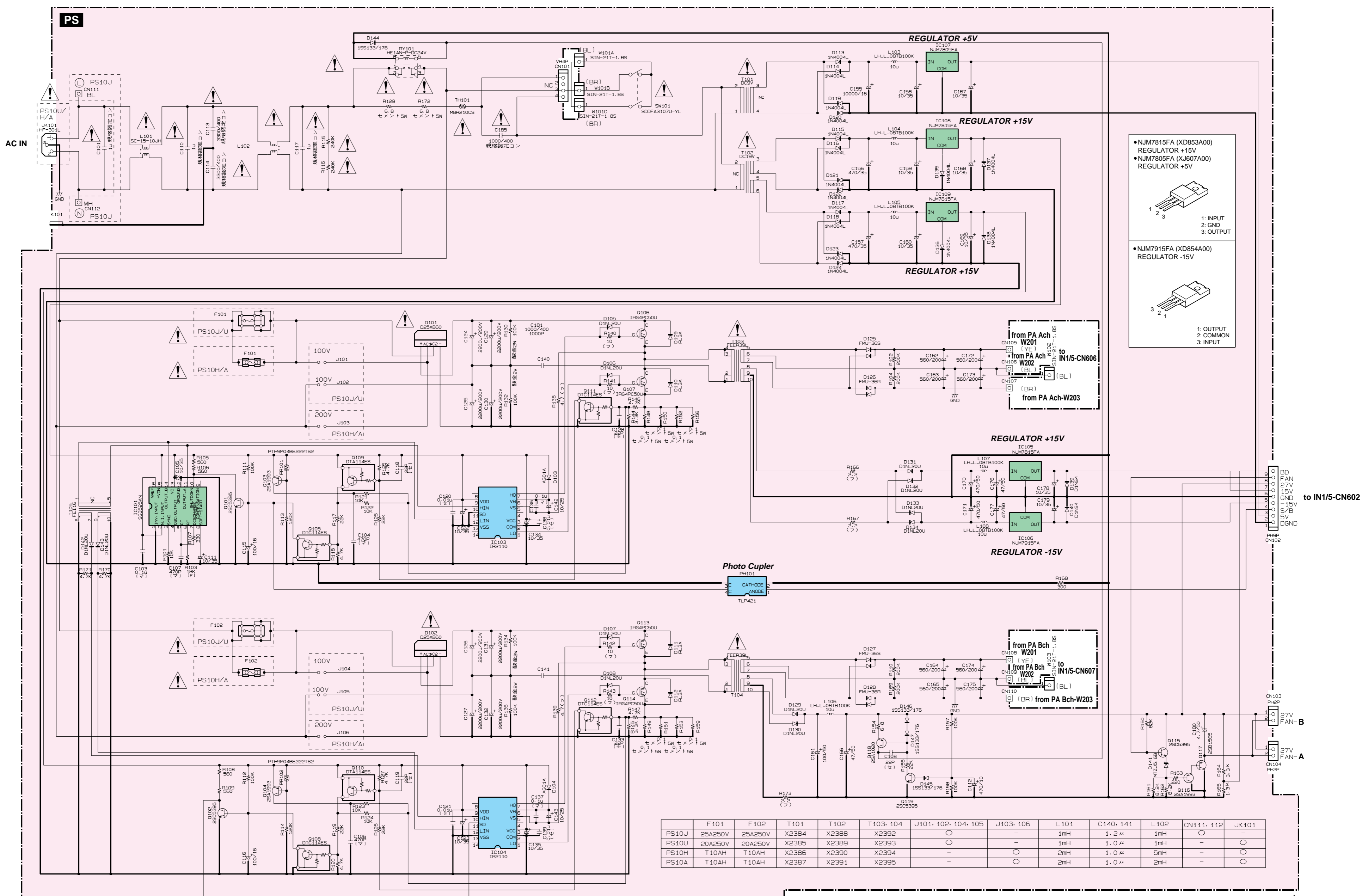
	R330, 333, 337	R252	R253	Q235N~Q241N	Q243N~Q245N	Q235P~Q241P	Q243P~Q245P	R233, R234	Q228~Q233
PA10	4.7K	22K	22K	C3855A	C3855A	A1492A	A1492A	20K	K3004
PA5	3.9K	16K	16K	C3855	C3855	A1492	A1492	27K	K3003



- (セ) : Ceramic Capacitor (セラコン)
- (マ) : Mylar Capacitor (マイラーコン)
- 酸化 : Oxide Film Resistor (サンキン抵抗)
- (フ) : Flame Proof C. Resistor (不燃化カーボン抵抗)
- セメント抵抗 : Wire Wound Resistor (セメント抵抗)
- 規格認定コン : Capacitor (規格認定コン)
- (F) : Flame Proof C. Resistor (不燃化カーボン抵抗)
- (マイカ) : Mica Capacitor (マイカコン)

Note : See parts list for details of circuit board component parts.
注 : シートの部品詳細はパーツリストをご参照下さい。

■ PC9500N/PC4800N OVERALL CIRCUIT DIAGRAM 7/8 (PS10)

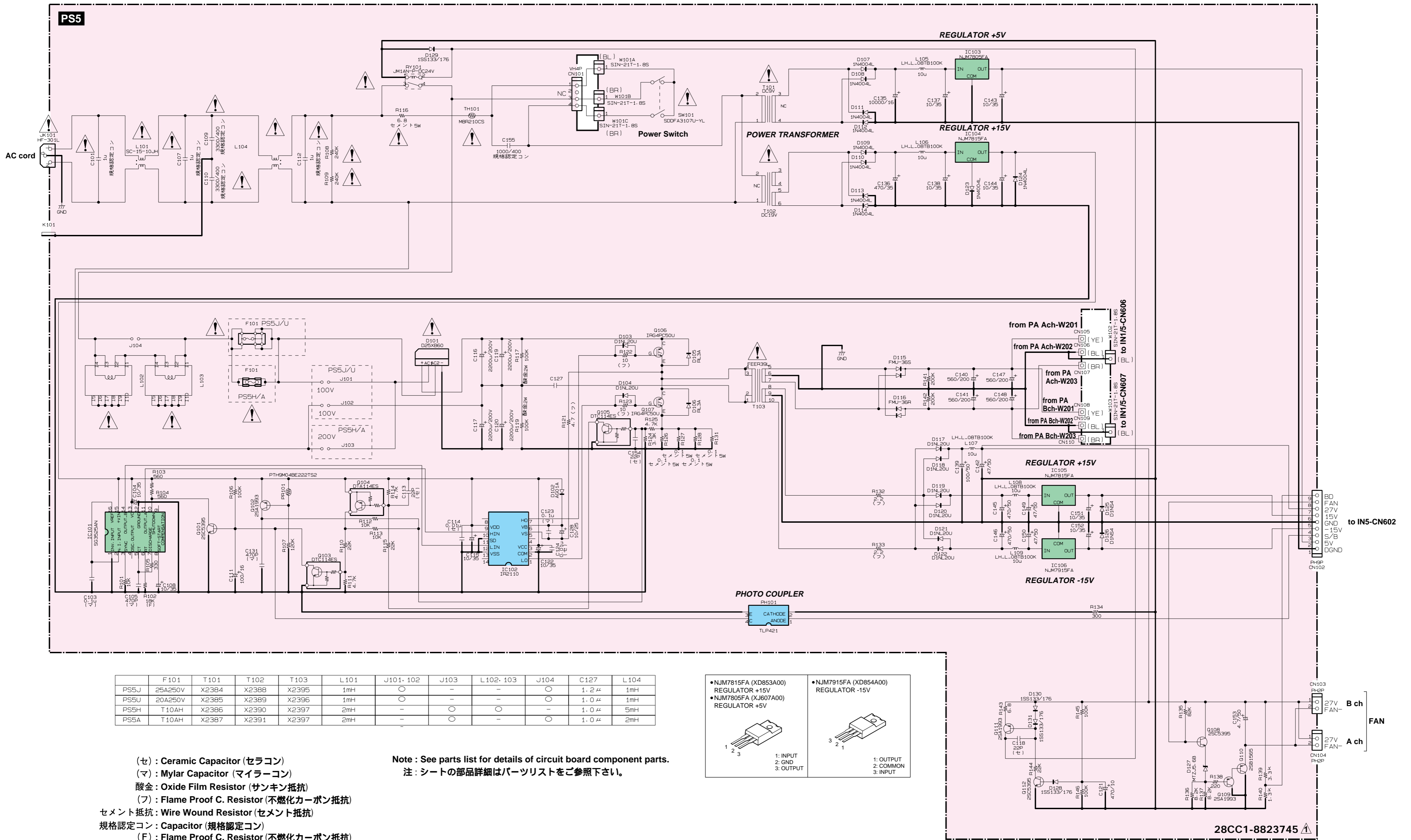


	F101	F102	T101	T102	T103-104	J101, 102, 104, 105	J103, 105	L101	C140, 141	L102	CN111, 112	JK101
PS10J	25A250V	25A250V	X2384	X2388	X2392	○	○	1mH	1.2 μ	1mH	○	○
PS10U	20A250V	20A250V	X2385	X2389	X2393	○	○	1mH	1.0 μ	1mH	○	○
PS10H	T10AH	T10AH	X2386	X2390	X2394	○	○	2mH	1.0 μ	5mH	○	○
PS10A	T10AH	T10AH	X2387	X2391	X2395	○	○	2mH	1.0 μ	2mH	○	○

- (セ) : Ceramic Capacitor (セラコン)
- (マ) : Mylar Capacitor (マイラーコン)
- 酸金 : Oxide Film Resistor (サンキン抵抗)
- (フ) : Flame Proof C. Resistor (不燃化カーボン抵抗)
- セメント抵抗 : Wire Wound Resistor (セメント抵抗)
- 規格認定コン : Capacitor (規格認定コン)
- (F) : Flame Proof C. Resistor (不燃化カーボン抵抗)

Note : See parts list for details of circuit board component parts.
注 : シートの部品詳細はパーツリストをご参照下さい。

38CC1-8823746



POWER AMPLIFIER

PC9500N/PC4800N

PARTS LIST

■ CONTENTS(目次)

OVERALL ASSEMBLY(総組立).....	2
ELECTRICAL PARTS PC9500N(PC9500N電気部品).....	6
ELECTRICAL PARTS PC4800N(PC4800N電気部品).....	21

Notes : DESTINATION ABBREVIATIONS

A : Australian model	M : South African model
B : British model	O : Chinese model
C : Canadian model	Q : South-east Asia model
D : German model	T : Taiwan model
E : European model	U : U.S.A. model
F : French model	V : General export model (110V)
H : North European model	W : General export model (220V)
I : Indonesian model	N,X: General export model
J : Japanese model	Y : Export model
K : Korean model	

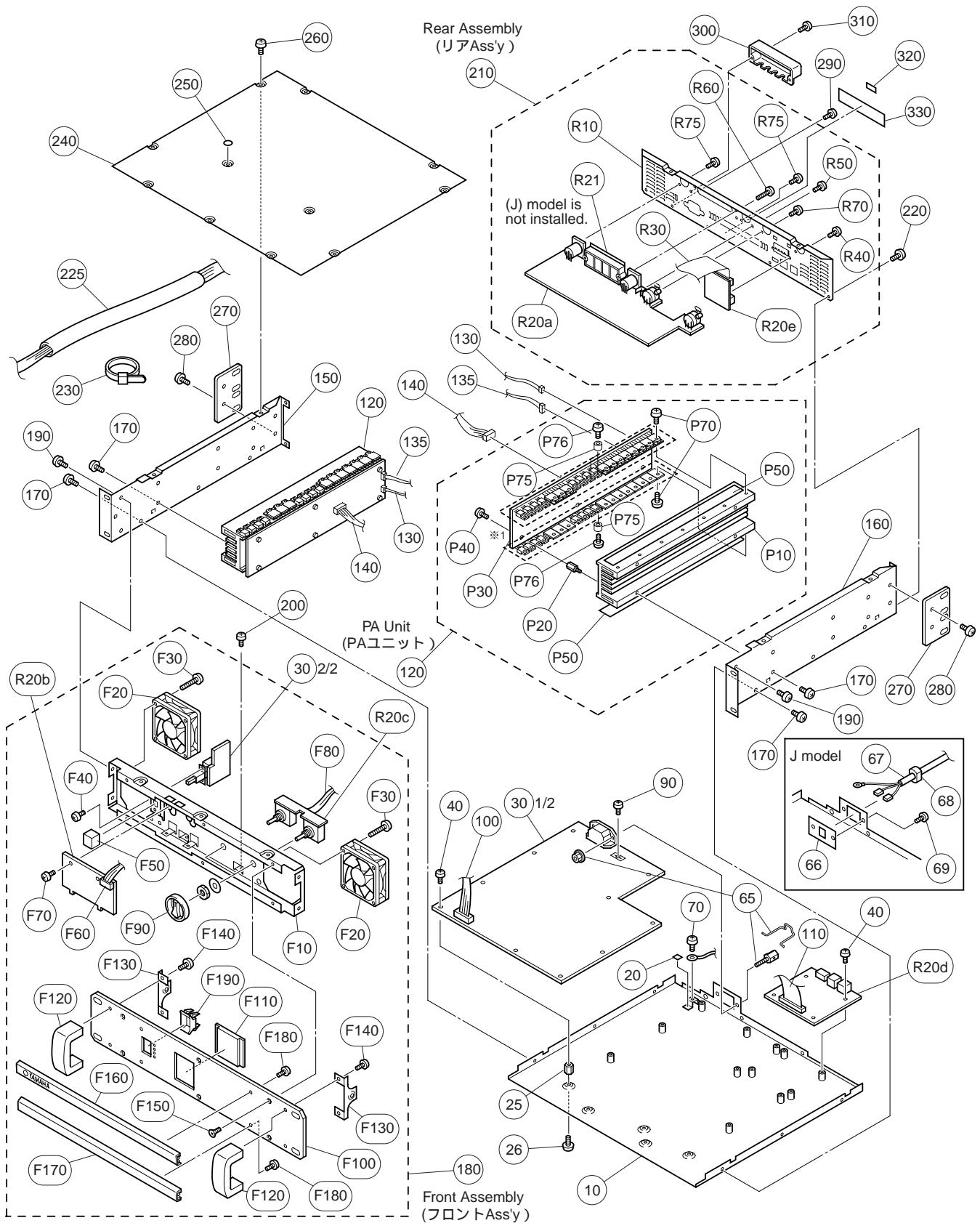
■ WARNING

Components having special characteristics are marked \triangle and must be replaced with parts having specification equal to those originally installed.

\triangle 印の部品は、安全を維持するために重要な部品です。交換する場合は、安全のために必ず指定の部品をご使用下さい。

- The numbers "QTY" show quantities for each unit.
- The parts with "--" in "PART NO." are not available as spare parts.
- This mark "}" in the REMARKS column means these parts are interchangeable.
- The second letter of the shaded (■) part number is O, not zero.
- The second letter of the shaded (■) part number is I, not one.
- 部品価格ランクは、変更になることがあります。
- QTY欄に記されている数字は、各ユニット当たりの使用個数です。
- PART NO.が"--"の部品は、サービス用部品として準備されておりません。
- REMARKS欄の「}」マークの部品は、併用部品です。
- 網掛けの付いたPART NO. の2番目の文字は「ゼロ」ではなく「オー」です。
- 網掛けの付いたPART NO. の2番目の文字は「イチ」ではなく、「アイ」です。

OVERALL ASSEMBLY(総組立)



1:ベアトランジスタはPAユニットの構成部品になっていないので、電気部品にはリストが入っていません。部品番号はPAユニットに記載されています。

REF NO.	PART NO.	DESCRIPTION	部 品 名	REMARKS	QTY	RANK
		OVERALL ASSEMBLY	総組立	PC9500N/4800N		
	--	Overall Assembly	総組立	PC9500N J (V853250)		
	--	Overall Assembly	総組立	PC9500N U,V (V853260)		
	--	Overall Assembly	総組立	PC9500N H,W (V853270)		
	--	Overall Assembly	総組立	PC9500N B (V853280)		
	--	Overall Assembly	総組立	PC9500N A (V853290)		
	--	Overall Assembly	総組立	PC9500N K (V888560)		
	--	Overall Assembly	総組立	PC4800N J (V853300)		
	--	Overall Assembly	総組立	PC4800N U,V (V853310)		
	--	Overall Assembly	総組立	PC4800N H,W (V853320)		
	--	Overall Assembly	総組立	PC4800N B (V853330)		
	--	Overall Assembly	総組立	PC4800N A (V853340)		
	--	Overall Assembly	総組立	PC4800N K (V888570)		
* 10	V8536600	Bottom Chassis	PC	ボトムシャーシ		12
20	--	Label		アースラベル	J,H,W,B,K (V542870)	
25	--	Support	H=6.5 B=5.5	支柱	(V984380)	5
26	VR139400	Bind Head Screw	3.0X4 MFZN2BL	+ バインド小ネジ		5 01
* 30	V8482000	Circuit Board	PS10J	シ ー ト P S 1 0	PC9500N J (X2348C0)	
* 30	V8482100	Circuit Board	PS10U	シ ー ト P S 1 0	PC9500N U,V (X2348C0)	
* 30	V8482200	Circuit Board	PS10H	シ ー ト P S 1 0	PC9500N H,W,B,K (X2348C0)	
* 30	V8482300	Circuit Board	PS10A	シ ー ト P S 1 0	PC9500N A (X2348C0)	
* 30	V8482500	Circuit Board	PS5	シ ー ト P S 5	PC4800N J (X2349C0)	
* 30	V8482600	Circuit Board	PS5	シ ー ト P S 5	PC4800N U,V (X2349C0)	
* 30	V8482700	Circuit Board	PS5	シ ー ト P S 5	PC4800N H,W,B,K (X2349C0)	
* 30	V8482800	Circuit Board	PS5	シ ー ト P S 5	PC4800N A (X2349C0)	
40	VR139400	Bind Head Screw	3.0X4 MFZN2BL	+ バインド小ネジ		15 01
* 65	V9305700	I/O Rock	J UL	I / O ロ ッ ク J U L	U,V (J:PC4800N)	08
* 65	V9305800	I/O Rock	CE BS	I / O ロ ッ ク C E B S	H,W,B,A,K	08
66	V9841900	AC Angle	PC	A C ア ン グ ル	PC9500N J	
67	V9842200	AC Cord	J VCTF 2.0X3	電 源 コ ー ド	PC9500N J	08
68	VV103100	Cord Strain Relief	SR-6P1	コ ー ド ス ト ッ パ ー	PC9500N J	01
69	EP600190	Bind Head Tapping Screw-B	3.0X8 MFZN2BL	+ バインド B タイ	PC9500N J	2 01
70	VP156800	Bind Head Screw	A4.0X8 MFZN2BL	+ バインド小ネジ		01
90	VR139400	Bind Head Screw	3.0X4 MFZN2BL	+ バインド小ネジ		01
* 100	V9348400	Connector Assembly	2426&2426 9P 350L	束 線 # 2 8		
* 110	MF137060	Connector Assembly	37P 60mm P=1.25	カ ー ド 電 線 C & C		02
* 120	V8535100	PA Unit		P A ユ ニ ッ ト	PC9500N	2
* 120	V8535200	PA Unit		P A ユ ニ ッ ト	PC4800N	2
* 130	V8591100	Connector Assembly	IN	束 線		2
* 135	V9315400	Connector Assembly	IN3	束 線		2
* 140	V9316500	Connector Assembly	TE	束 線		2
* 150	V8536800	Side Cover	PC	サ イ ド カ バ ー L		07
* 160	V8536900	Side Cover	PC	サ イ ド カ バ ー R		07
170	VR779900	Bonding Tapping Screw-B	4.0X8 MFZN2BL	ボ ン デ ィ ン グ B タ イ		18 01
180	--	Front Assembly		フ ロ ン ト A s s ' y	PC9500N (V853540)	
180	--	Front Assembly		フ ロ ン ト A s s ' y	PC4800N (V853550)	
190	VR779900	Bonding Tapping Screw-B	4.0X8 MFZN2BL	ボ ン デ ィ ン グ B タ イ		6 01
200	VR139400	Bind Head Screw	3.0X4 MFZN2BL	+ バインド小ネジ		2 01
210	--	Rear Assembly		リ ア A s s ' y	PC9500N J (V853570)	
210	--	Rear Assembly		リ ア A s s ' y	PC9500N U,V (V853580)	
210	--	Rear Assembly		リ ア A s s ' y	PC9500N H,W,B,K (V853590)	
210	--	Rear Assembly		リ ア A s s ' y	PC9500N A (V853600)	
210	--	Rear Assembly		リ ア A s s ' y	PC4800N J (V853610)	
210	--	Rear Assembly		リ ア A s s ' y	PC4800N U,V (V853620)	
210	--	Rear Assembly		リ ア A s s ' y	PC4800N H,W,B,K (V853630)	
210	--	Rear Assembly		リ ア A s s ' y	PC4800N A (V853640)	
220	VR779900	Bonding Tapping Screw-B	4.0X8 MFZN2BL	ボ ン デ ィ ン グ B タ イ		6 01
225	--	Tube	18.0	ス ミ チ ュ ー プ	(V888970)	
230	VV104600	Cord Holder	CV-100	イ ン シ ュ ロ ッ ク タ イ		9 01
240	V8591400	Top Cover	PC	ト ッ プ カ バ ー		09
250	V6172200	Cover	PPE T=0.3	孔 カ バ ー		2 01
260	VR779900	Bonding Tapping Screw-B	4.0X8 MFZN2BL	ボ ン デ ィ ン グ B タ イ		9 01
270	VY937100	Rear Angle	P-SERIES	リ ア ア ン グ ル		2 03
280	EG340190	Bind Head Tapping Screw-B	4.0X8 MFZN2BL	+ バインド B タイ		4 01
290	VP156800	Bind Head Screw	A4.0X8 MFZN2BL	+ バインド小ネジ		01
300	VY938700	Cover, Speaker Terminal	P-SERIES	S P タ ー ミ ナ ル カ バ ー		03
310	EP600190	Bind Head Tapping Screw-B	3.0X8 MFZN2BL	+ バインド B タイ		2 01
320	--	Label	DATE	ラ ベ ル	U,V (VA03930)	
330	--	Label	NAME	ラ ベ ル	PC9500N K (V888600)	
330	--	Label	NAME	ラ ベ ル	PC4800N K (V888610)	

*: New Parts

RANK: Japan only

REF NO.	PART NO.	DESCRIPTION	部 品 名	REMARKS	QTY	RANK
		ACCESSORIES				
*	V8246300	AC Cord	J VCTF 2.0X3	付 属 品	PC9500N/4800N	
*	V8246400	AC Cord	UC SJT 14AWGX3	電 源 コ ー ド	PC4800N J	09
*	V8246500	AC Cord	E H05VV-F 3X1.00	電 源 コ ー ド	U,V	06
*	V8246600	AC Cord	BS H05VV-F3X1.00	電 源 コ ー ド	H,A,W,K	08
	VZ362500	Security Cover Assembly	P-SERIES	S / C A s s ' y		03
	--	CN 2 Assembly		C N A s s ' y 2	(V853500)	
* 10	V4559800	Pluggable Terminal Block	MIC100-50803	ミ ニ 端 子 台		2 04
	--	FRONT ASSEMBLY		フ ロ ン ト A s s ' y	PC9500N	
	--	Front Assembly		フ ロ ン ト A s s ' y	PC9500N (V853540)	
	--	Front Assembly		フ ロ ン ト A s s ' y	PC4800N (V853550)	
* F10	V8537100	Front Chassis	PC	フ ロ ン ト シ ャ ー シ		07
* F20	V8746700	Fan	FBA08A24H1TZ	D C フ ァ ン		2 09
F30	VT229100	Bind Head Screw	4.0X30 MFZN2BL	+ バ イ ン ド 小 ネ ジ		4 01
F40	EG330360	Bind Head Screw	3.0X6 MFZN2BL	+ バ イ ン ド 小 ネ ジ		2 01
F50	VU859000	Power Switch Knob	MX12/4	P S W ノ ブ		01
* F60	V9816300	Connector Assembly	2426&2426 11P 310L	線 # 2 8		
F70	EP600190	Bind Head Tapping Screw-B	3.0X8 MFZN2BL	+ バ イ ン ド B タ イ ト		2 01
F80	--	Connector Assembly	ATT	束 線	(V859100)	
F90	VY938500	Attenuation Knob	P-SERIES	ア ッ テ ー タ ー ノ ブ		2 03
* F100	V8537300	Front Panel	PC	フ ロ ン ト パ ネ ル		08
* F110	V8539400	Cover	PC	ウ イ ン ド ウ		05
* F120	V8237000	Handle	ZINC ALLOY	ハ ン ド ル 2 U		2
* F130	V8537600	Angle, Handle	PC	ハ ン ド ル ア ン グ ル		2 01
F140	VU688100	Bind Head Screw	SP 5.0X10 MFZN2BL	+ バ イ ン ド 小 ネ ジ		4 01
F150	VA221200	Flat Head Screw	4.0X8 MFZN2BL	+ 皿 小 ネ ジ		6 01
* F160	V8539100	Front Cover		フ ロ ン ト カ バ ー	PC9500N	09
* F160	V8539200	Front Cover		フ ロ ン ト カ バ ー	PC4800N	
* F170	V8539000	Front Cover	PC PAINTED	フ ロ ン ト カ バ ー 塗 装 上 が り		08
* F180	EP600190	Bind Head Tapping Screw-B	3.0X8 MFZN2BL	+ バ イ ン ド B タ イ ト		4 01
F190	VU859100	Escutcheon, Power Switch	MX12/4	P S W エ ス カ ッ シ ョ ン		02
		REAR ASSEMBLY		リ ア A s s ' y	PC9500N/4800N	
	--	Rear Assembly		リ ア A s s ' y	PC9500N J (V853570)	
	--	Rear Assembly		リ ア A s s ' y	PC9500N U,V (V853580)	
	--	Rear Assembly		リ ア A s s ' y	PC9500N H,W,B,K (V853590)	
	--	Rear Assembly		リ ア A s s ' y	PC9500N A (V853600)	
	--	Rear Assembly		リ ア A s s ' y	PC4800N J (V853610)	
	--	Rear Assembly		リ ア A s s ' y	PC4800N U,V (V853620)	
	--	Rear Assembly		リ ア A s s ' y	PC4800N H,W,B,K (V853630)	
	--	Rear Assembly		リ ア A s s ' y	PC4800N A (V853640)	
* R10	V8537800	Rear Panel		リ ア パ ネ ル	PC9500N J	08
* R10	V8537900	Rear Panel		リ ア パ ネ ル	PC9500N U,V	08
* R10	V8538000	Rear Panel		リ ア パ ネ ル	PC9500N H,W,B,K	08
* R10	V8538100	Rear Panel		リ ア パ ネ ル	PC9500N A	08
* R10	V8538200	Rear Panel		リ ア パ ネ ル	PC4800N J	
* R10	V8538300	Rear Panel		リ ア パ ネ ル	PC4800N U,V	
* R10	V8538400	Rear Panel		リ ア パ ネ ル	PC4800N H,W,B,K	
* R10	V8538500	Rear Panel		リ ア パ ネ ル	PC4800N A	
R20	--	Circuit Board	IN10	シ ー ト I N 1 0	PC9500N (V848170,X2073C0)	
* R20a	AA34690	Circuit Board	IN10 1/5	シ ー ト I N 1 0 1 / 5	(X2073C0)	
* R20b	AA34700	Circuit Board	IN10 2/5	シ ー ト I N 1 0 2 / 5	(X2073C0)	
* R20c	AA34710	Circuit Board	IN10 3/5	シ ー ト I N 1 0 3 / 5	(X2073C0)	
* R20d	AA34720	Circuit Board	IN10 4/5	シ ー ト I N 1 0 4 / 5	(X2073C0)	
* R20e	AA34730	Circuit Board	IN10 5/5	シ ー ト I N 1 0 5 / 5	(X2073C0)	
R20	--	Circuit Board	IN5	シ ー ト I N 5	PC4800N (V848180,X2073C0)	
* R20a	AA39260	Circuit Board	IN5 1/5	シ ー ト I N 5 1 / 5	(X2073C0)	
* R20b	AA39270	Circuit Board	IN5 2/5	シ ー ト I N 5 2 / 5	(X2073C0)	
* R20c	AA39280	Circuit Board	IN5 3/5	シ ー ト I N 5 3 / 5	(X2073C0)	
* R20d	AA39290	Circuit Board	IN5 4/5	シ ー ト I N 5 4 / 5	(X2073C0)	
* R20e	AA39300	Circuit Board	IN5 5/5	シ ー ト I N 5 5 / 5	(X2073C0)	
R21	--	Earth Film	PC-SERIES	ア ー ス フ ィ ル ム	U,V (V924470)	
					H,W,B,K	
					A	
* R30	MF135060	Connector Assembly	35 60MM P=1.25	カ ー ド 電 線 C & C		01
R40	VC990500	Pan Head Screw	2.6X6 MFZN2BL	+ ナ ベ 小 ネ ジ		2 01
R50	VN413300	Bonding Tapping Screw-B	3.0X8 MFZN2BL	ボ ン デ ィ ン グ B タ イ ト		01
R60	VQ074600	Bind Head Tapping Screw-B	3.0X12 MFZN2BL	+ バ イ ン ド B タ イ ト		2 01

*: New Parts

RANK: Japan only

REF NO.	PART NO.	DESCRIPTION		部 品 名	REMARKS	QTY	RANK
R70	VB096700	Bind Head Tapping Screw-B	2.6X8 MFZN2BL	+ バインド B タイト		4	01
R75	V9568800	Flat Fillister H.Tapping	3.0X8 MFZN2BL	+ 平 頭 B タイト		4	
	V8535100	PA UNIT		P A ユ ニ ッ ト	PC9500N/4800N		
	V8535200	PA Unit		P A ユ ニ ッ ト	PC9500N		
P10	--	Heat Sink	PC	ヒ ー ト シ ン ク	(V853880)		
P20	VV086500	Support	H=7.4 B=5.5	支 柱		6	01
P30	--	Circuit Board	PA10	シ ー ト P A 1 0	PC9500N		(V848140)
P30	--	Circuit Board	PA5	シ ー ト P A 5	PC4800N		(V848150)
P40	EG330360	Bind Head Screw	3.0X6 MFZN2BL	+ バインド小ネジ		6	01
P50	V8414800	Insulation Sheet	TBM51W T=0.15	放 熱 シ ー ト		2	04
P70	VB763800	Bind Head Screw	SP 3.0X12 MFZN2Y	+ バインド小ネジ	PC9500N	33	01
P70	VB763800	Bind Head Screw	SP 3.0X12 MFZN2Y	+ バインド小ネジ	PC4800N	25	01
P75	WA009200	Insulation Bushing	2.6M	絶 縁 ブ ッ シ ュ		3	
P76	EG320240	Bind Head Screw	SP 2.6X8 MFZN2Y	+ バインド小ネジ		3	01
D234	V4816400	Diode Stack	FMU-22U 10A 200V	ダ イ オ ー ド ス タ ッ ク			03
D235	V4816400	Diode Stack	FMU-22U 10A 200V	ダ イ オ ー ド ス タ ッ ク			03
D241	V6351700	Diode	SF20L60U	ダ イ オ ー ド			06
D242	V6351700	Diode	SF20L60U	ダ イ オ ー ド			06
IC201	X0670A00	IC	LM35DT	イ ン テ ー ジ ン グ			05
Q212	VQ547200	Transistor	2SA1837 (HFE)	ト ラ ン ジ ス ト			03
Q228	V9764500	FET	2SK3004	F E T	PC9500N		04
-233	V9764500	FET	2SK3004	F E T	PC9500N		04
Q228	V809350	FET	2SK3003	F E T	PC4800N		04
-231	V809350	FET	2SK3003	F E T	PC4800N		04
Q234N	V8092800	Transistor	A1009A/C2333	ペ ア ト ラ ン ジ ス ト			
Q234P	V8092800	Transistor	A1009A/C2333	ペ ア ト ラ ン ジ ス ト			
Q235N	V8094900	Pair Transistor	A1492A/C3856A(260)	ペ ア ト ラ ン ジ ス ト	PC9500N		05
Q235P	V8094900	Pair Transistor	A1492A/C3856A(260)	ペ ア ト ラ ン ジ ス ト	PC9500N		05
Q235N	VZ222300	Pair Transistor	A1492/C3856(Z)(210)	ペ ア ト ラ ン ジ ス ト	PC4800N		06
Q235P	VZ222300	Pair Transistor	A1492/C3856(Z)(210)	ペ ア ト ラ ン ジ ス ト	PC4800N		06
Q236N	V8094900	Pair Transistor	A1492A/C3856A(260)	ペ ア ト ラ ン ジ ス ト	PC9500N		05
Q236P	V8094900	Pair Transistor	A1492A/C3856A(260)	ペ ア ト ラ ン ジ ス ト	PC9500N		05
Q236N	VZ222300	Pair Transistor	A1492/C3856(Z)(210)	ペ ア ト ラ ン ジ ス ト	PC4800N		06
Q236P	VZ222300	Pair Transistor	A1492/C3856(Z)(210)	ペ ア ト ラ ン ジ ス ト	PC4800N		06
Q237N	V8094900	Pair Transistor	A1492A/C3856A(260)	ペ ア ト ラ ン ジ ス ト	PC9500N		05
Q237P	V8094900	Pair Transistor	A1492A/C3856A(260)	ペ ア ト ラ ン ジ ス ト	PC9500N		05
Q237N	VZ222300	Pair Transistor	A1492/C3856(Z)(210)	ペ ア ト ラ ン ジ ス ト	PC4800N		06
Q237P	VZ222300	Pair Transistor	A1492/C3856(Z)(210)	ペ ア ト ラ ン ジ ス ト	PC4800N		06
Q238N	V8094900	Pair Transistor	A1492A/C3856A(260)	ペ ア ト ラ ン ジ ス ト	PC9500N		05
Q238P	V8094900	Pair Transistor	A1492A/C3856A(260)	ペ ア ト ラ ン ジ ス ト	PC9500N		05
Q238N	VZ222300	Pair Transistor	A1492/C3856(Z)(210)	ペ ア ト ラ ン ジ ス ト	PC4800N		06
Q238P	VZ222300	Pair Transistor	A1492/C3856(Z)(210)	ペ ア ト ラ ン ジ ス ト	PC4800N		06
Q239N	V8094900	Pair Transistor	A1492A/C3856A(260)	ペ ア ト ラ ン ジ ス ト	PC9500N		05
Q239P	V8094900	Pair Transistor	A1492A/C3856A(260)	ペ ア ト ラ ン ジ ス ト	PC9500N		05
Q239N	VZ222300	Pair Transistor	A1492/C3856(Z)(210)	ペ ア ト ラ ン ジ ス ト	PC4800N		06
Q239P	VZ222300	Pair Transistor	A1492/C3856(Z)(210)	ペ ア ト ラ ン ジ ス ト	PC4800N		06
Q240N	V8094900	Pair Transistor	A1492A/C3856A(260)	ペ ア ト ラ ン ジ ス ト	PC9500N		05
Q240P	V8094900	Pair Transistor	A1492A/C3856A(260)	ペ ア ト ラ ン ジ ス ト	PC9500N		05
Q241N	V8094900	Pair Transistor	A1492A/C3856A(260)	ペ ア ト ラ ン ジ ス ト	PC9500N		05
Q241P	V8094900	Pair Transistor	A1492A/C3856A(260)	ペ ア ト ラ ン ジ ス ト	PC9500N		05
Q242N	VR732800	Transistor	A1859A/C4883A	ペ ア ト ラ ン ジ ス ト			04
Q242P	VR732800	Transistor	A1859A/C4883A	ペ ア ト ラ ン ジ ス ト			04
Q243N	V8094900	Pair Transistor	A1492A/C3856A(260)	ペ ア ト ラ ン ジ ス ト	PC9500N		05
Q243P	V8094900	Pair Transistor	A1492A/C3856A(260)	ペ ア ト ラ ン ジ ス ト	PC9500N		05
Q243N	VZ222300	Pair Transistor	A1492/C3856(Z)(210)	ペ ア ト ラ ン ジ ス ト	PC4800N		06
Q243P	VZ222300	Pair Transistor	A1492/C3856(Z)(210)	ペ ア ト ラ ン ジ ス ト	PC4800N		06
Q244N	V8094900	Pair Transistor	A1492A/C3856A(260)	ペ ア ト ラ ン ジ ス ト	PC9500N		05
Q244P	V8094900	Pair Transistor	A1492A/C3856A(260)	ペ ア ト ラ ン ジ ス ト	PC9500N		05
Q244N	VZ222300	Pair Transistor	A1492/C3856(Z)(210)	ペ ア ト ラ ン ジ ス ト	PC4800N		06
Q244P	VZ222300	Pair Transistor	A1492/C3856(Z)(210)	ペ ア ト ラ ン ジ ス ト	PC4800N		06
Q245N	V8094900	Pair Transistor	A1492A/C3856A(260)	ペ ア ト ラ ン ジ ス ト	PC9500N		05
Q245P	V8094900	Pair Transistor	A1492A/C3856A(260)	ペ ア ト ラ ン ジ ス ト	PC9500N		05

*: New Parts

RANK: Japan only

ELECTRICAL PARTS PC9500N(PC9500N 電気部品)

REF NO.	PART NO.	DESCRIPTION	部 品 名	REMARKS	QTY	RANK
		ELECTRICAL PARTS	電 気 部 品	PC9500N		
	--	Circuit Board	シ ー ト I N 1 0	(V848170,X2073C0)		
*	AAX34690	Circuit Board	シ ー ト I N 1 0 1 / 5	(X2073C0)		
*	AAX34700	Circuit Board	シ ー ト I N 1 0 2 / 5	(X2073C0)		
*	AAX34710	Circuit Board	シ ー ト I N 1 0 3 / 5	(X2073C0)		
*	AAX34720	Circuit Board	シ ー ト I N 1 0 4 / 5	(X2073C0)		
*	AAX34730	Circuit Board	シ ー ト I N 1 0 5 / 5	(X2073C0)		
	--	Circuit Board	シ ー ト P A 1 0	(V848140)(X2074C0)		
*	V8482000	Circuit Board	シ ー ト P S 1 0 J	(X2348C0)		
*	V8482100	Circuit Board	シ ー ト P S 1 0 U,V	(X2348C0)		
*	V8482200	Circuit Board	シ ー ト P S 1 0 H,W,B,K	(X2348C0)		
*	V8482300	Circuit Board	シ ー ト P S 1 0 A	(X2348C0)		
	--	Circuit Board	シ ー ト I N 1 0	(V848170,X2073C0)		
*	AAX34690	Circuit Board	シ ー ト I N 1 0 1 / 5	(X2073C0)		
*	AAX34700	Circuit Board	シ ー ト I N 1 0 2 / 5	(X2073C0)		
*	AAX34710	Circuit Board	シ ー ト I N 1 0 3 / 5	(X2073C0)		
*	AAX34720	Circuit Board	シ ー ト I N 1 0 4 / 5	(X2073C0)		
*	AAX34730	Circuit Board	シ ー ト I N 1 0 5 / 5	(X2073C0)		
C401	UX064100	Ceramic Capacitor (Chip)	チ ッ プ セ ラ			01
-405	UX064100	Ceramic Capacitor (Chip)	チ ッ プ セ ラ			01
C406	UR847100	Electrolytic Cap.	ケ ミ コ ン			01
C407	UX064100	Ceramic Capacitor (Chip)	チ ッ プ セ ラ			01
-411	UX064100	Ceramic Capacitor (Chip)	チ ッ プ セ ラ			01
C412	UX061220	Ceramic Capacitor (Chip)	チ ッ プ セ ラ			01
C413	UX061220	Ceramic Capacitor (Chip)	チ ッ プ セ ラ			01
C414	UX064100	Ceramic Capacitor (Chip)	チ ッ プ セ ラ			01
C415	UX064100	Ceramic Capacitor (Chip)	チ ッ プ セ ラ			01
C416	UX061220	Ceramic Capacitor (Chip)	チ ッ プ セ ラ			01
C417	UX061220	Ceramic Capacitor (Chip)	チ ッ プ セ ラ			01
C418	UX064100	Ceramic Capacitor (Chip)	チ ッ プ セ ラ			01
C419	UX064100	Ceramic Capacitor (Chip)	チ ッ プ セ ラ			01
* C420	UX061560	Ceramic Capacitor (Chip)	チ ッ プ セ ラ			
* -423	UX061560	Ceramic Capacitor (Chip)	チ ッ プ セ ラ			
C424	UR847100	Electrolytic Cap.	ケ ミ コ ン			01
C425	V5868900	Mylar Capacitor	マ イ ラ - コ ン			
-428	V5868900	Mylar Capacitor	マ イ ラ - コ ン			
* C429	UX061560	Ceramic Capacitor (Chip)	チ ッ プ セ ラ			
* C430	UX061560	Ceramic Capacitor (Chip)	チ ッ プ セ ラ			
C431	UR866470	Electrolytic Cap.	ケ ミ コ ン			01
-434	UR866470	Electrolytic Cap.	ケ ミ コ ン			01
C435	UX064100	Ceramic Capacitor (Chip)	チ ッ プ セ ラ			01
C436	UR847220	Electrolytic Cap.	ケ ミ コ ン			01
C437	UX064100	Ceramic Capacitor (Chip)	チ ッ プ セ ラ			01
C438	UR847220	Electrolytic Cap.	ケ ミ コ ン			01
C439	UX061100	Ceramic Capacitor (Chip)	チ ッ プ セ ラ			01
C440	V6638400	Electrolytic Cap.	ケ ミ コ ン F X			02
C441	V6638400	Electrolytic Cap.	ケ ミ コ ン F X			02
C442	UR866470	Electrolytic Cap.	ケ ミ コ ン			01
C443	UR866470	Electrolytic Cap.	ケ ミ コ ン			01
* C444	UX063220	Ceramic Capacitor (Chip)	チ ッ プ セ ラ			
* C445	UX063220	Ceramic Capacitor (Chip)	チ ッ プ セ ラ			
C601	UR848220	Electrolytic Cap.	ケ ミ コ ン			01
C602	VZ004200	Mylar Capacitor	フ ィ ル ム コ ン			01
-605	VZ004200	Mylar Capacitor	フ ィ ル ム コ ン			01
C606	UR866100	Electrolytic Cap.	ケ ミ コ ン			01
C607	UR848100	Electrolytic Cap.	ケ ミ コ ン			01
C608	VZ012200	Ceramic Capacitor-B	セ ラ コ ン B			01
-611	VZ012200	Ceramic Capacitor-B	セ ラ コ ン B			01
C612	UX063100	Ceramic Capacitor (Chip)	チ ッ プ セ ラ			01
C613	UR866100	Electrolytic Cap.	ケ ミ コ ン			01
C614	VV314600	Ceramic Capacitor-B	セ ラ コ ン B			01
C615	VV314600	Ceramic Capacitor-B	セ ラ コ ン B			01
C616	UX063100	Ceramic Capacitor (Chip)	チ ッ プ セ ラ			01
C617	UR847100	Electrolytic Cap.	ケ ミ コ ン			01
C618	UR847100	Electrolytic Cap.	ケ ミ コ ン			01
C619	UX145100	Ceramic Capacitor (Chip)	チ ッ プ セ ラ			01
C620	UX064100	Ceramic Capacitor (Chip)	チ ッ プ セ ラ			01
C621	UX064100	Ceramic Capacitor (Chip)	チ ッ プ セ ラ			01
C622	UX145100	Ceramic Capacitor (Chip)	チ ッ プ セ ラ			01

*: New Parts

RANK: Japan only

REF NO.	PART NO.	DESCRIPTION		部 品 名	REMARKS	QTY	RANK
C623	UX064100	Ceramic Capacitor (Chip)	0.0100 50V K	チ ッ プ セ ラ			01
-627	UX064100	Ceramic Capacitor (Chip)	0.0100 50V K	チ ッ プ セ ラ			01
C628	UR848100	Electrolytic Cap.	100.00 25.0V	ケ ミ コ ン			01
C629	UR848100	Electrolytic Cap.	100.00 25.0V	ケ ミ コ ン			01
C630	UX064100	Ceramic Capacitor (Chip)	0.0100 50V K	チ ッ プ セ ラ			01
C631	UX064100	Ceramic Capacitor (Chip)	0.0100 50V K	チ ッ プ セ ラ			01
C632	UA953180	Mylar Capacitor	1800P 50V J	マ イ ラ ー コ ン			01
C633	UA953180	Mylar Capacitor	1800P 50V J	マ イ ラ ー コ ン			01
C634	UX064100	Ceramic Capacitor (Chip)	0.0100 50V K	チ ッ プ セ ラ			01
C635	UA954470	Mylar Capacitor	0.0470 50V J	マ イ ラ ー コ ン			01
C636	UA954470	Mylar Capacitor	0.0470 50V J	マ イ ラ ー コ ン			01
C637	UX064100	Ceramic Capacitor (Chip)	0.0100 50V K	チ ッ プ セ ラ			01
C638	UX064100	Ceramic Capacitor (Chip)	0.0100 50V K	チ ッ プ セ ラ			01
C639	UX063100	Ceramic Capacitor (Chip)	1000P 50V K	チ ッ プ セ ラ			01
C640	UR847470	Electrolytic Cap.	47.00 25.0V	ケ ミ コ ン			01
C641	UR847330	Electrolytic Cap.	33.00 25.0V	ケ ミ コ ン			01
C642	UR847330	Electrolytic Cap.	33.00 25.0V	ケ ミ コ ン			01
C643	UR866100	Electrolytic Cap.	1.00 50.0V	ケ ミ コ ン			01
C644	UR866100	Electrolytic Cap.	1.00 50.0V	ケ ミ コ ン			01
C645	UX062100	Ceramic Capacitor (Chip)	100P 50V J	チ ッ プ セ ラ			01
C646	UX062100	Ceramic Capacitor (Chip)	100P 50V J	チ ッ プ セ ラ			01
C647	UR847470	Electrolytic Cap.	47.00 25.0V	ケ ミ コ ン			01
C650	UX063100	Ceramic Capacitor (Chip)	1000P 50V K	チ ッ プ セ ラ			01
C701	UX064100	Ceramic Capacitor (Chip)	0.0100 50V K	チ ッ プ セ ラ			01
C702	UF046470	Electrolytic Cap. (chip)	4.7 25V	チ ッ プ ケ ミ コ ン			01
C703	UX064100	Ceramic Capacitor (Chip)	0.0100 50V K	チ ッ プ セ ラ			01
C704	UF046470	Electrolytic Cap. (chip)	4.7 25V	チ ッ プ ケ ミ コ ン			01
C705	UF046470	Electrolytic Cap. (chip)	4.7 25V	チ ッ プ ケ ミ コ ン			01
C706	UF066100	Electrolytic Cap. (chip)	1 50V	チ ッ プ ケ ミ コ ン			01
C707	UX064100	Ceramic Capacitor (Chip)	0.0100 50V K	チ ッ プ セ ラ			01
C708	UF046470	Electrolytic Cap. (chip)	4.7 25V	チ ッ プ ケ ミ コ ン			01
C709	UF046470	Electrolytic Cap. (chip)	4.7 25V	チ ッ プ ケ ミ コ ン			01
C710	UF066100	Electrolytic Cap. (chip)	1 50V	チ ッ プ ケ ミ コ ン			01
C801	UX061330	Ceramic Capacitor (Chip)	33P 50V J	チ ッ プ セ ラ			01
C802	UX061330	Ceramic Capacitor (Chip)	33P 50V J	チ ッ プ セ ラ			01
C803	UX145100	Ceramic Capacitor (Chip)	0.1000 25V Z	チ ッ プ セ ラ			01
C804	UX062470	Ceramic Capacitor (Chip)	470P 50V J	チ ッ プ セ ラ			01
C806	UR847470	Electrolytic Cap.	47.00 25.0V	ケ ミ コ ン			01
C807	UX145100	Ceramic Capacitor (Chip)	0.1000 25V Z	チ ッ プ セ ラ			01
-809	UX145100	Ceramic Capacitor (Chip)	0.1000 25V Z	チ ッ プ セ ラ			01
C810	UX062100	Ceramic Capacitor (Chip)	100P 50V J	チ ッ プ セ ラ			01
C811	UX145100	Ceramic Capacitor (Chip)	0.1000 25V Z	チ ッ プ セ ラ			01
C812	UX145100	Ceramic Capacitor (Chip)	0.1000 25V Z	チ ッ プ セ ラ			01
C813	UR847470	Electrolytic Cap.	47.00 25.0V	ケ ミ コ ン			01
C814	UX145100	Ceramic Capacitor (Chip)	0.1000 25V Z	チ ッ プ セ ラ			01
* C815	UX063220	Ceramic Capacitor (Chip)	2200P 50V K	チ ッ プ セ ラ			01
-822	UX063220	Ceramic Capacitor (Chip)	2200P 50V K	チ ッ プ セ ラ			01
C823	UX145100	Ceramic Capacitor (Chip)	0.1000 25V Z	チ ッ プ セ ラ			01
-825	UX145100	Ceramic Capacitor (Chip)	0.1000 25V Z	チ ッ プ セ ラ			01
C826	UR847470	Electrolytic Cap.	47.00 25.0V	ケ ミ コ ン			01
C827	UX145100	Ceramic Capacitor (Chip)	0.1000 25V Z	チ ッ プ セ ラ			01
C828	UR847470	Electrolytic Cap.	47.00 25.0V	ケ ミ コ ン			01
C901	UX064100	Ceramic Capacitor (Chip)	0.0100 50V K	チ ッ プ セ ラ			01
-908	UX064100	Ceramic Capacitor (Chip)	0.0100 50V K	チ ッ プ セ ラ			01
C909	VV064600	Monolithic Mylar Capacitor	1.5 50V J	積 層 マ イ ラ ー コ ン			01
C910	VV064600	Monolithic Mylar Capacitor	1.5 50V J	積 層 マ イ ラ ー コ ン			01
C911	UX064100	Ceramic Capacitor (Chip)	0.0100 50V K	チ ッ プ セ ラ			01
-914	UX064100	Ceramic Capacitor (Chip)	0.0100 50V K	チ ッ プ セ ラ			01
C915	VV064500	Monolithic Mylar Capacitor	1.0 50V J	積 層 マ イ ラ ー コ ン			03
-918	VV064500	Monolithic Mylar Capacitor	1.0 50V J	積 層 マ イ ラ ー コ ン			03
C919	V4587500	Electrolytic Cap.-NK	10.00 25.0V	無 極 性 ケ ミ コ ン N K			01
C920	V4587500	Electrolytic Cap.-NK	10.00 25.0V	無 極 性 ケ ミ コ ン N K			01
CN401	VQ046400	Connector, FFC	52044 35P SE	F F C コ ネ ク タ ー			01
CN402	VQ048400	Connector, FFC	52045 35P TE	F F C コ ネ ク タ ー			01
CN403	VV066300	Connector Base Post	M2426XX 3P TE	コ ネ ク タ ベ ース ポ ス ト			01
CN404	VV066300	Connector Base Post	M2426XX 3P TE	コ ネ ク タ ベ ース ポ ス ト			01
CN405	VQ046600	Connector, FFC	52044 37P SE	F F C コ ネ ク タ ー			01
CN406	VV066700	Connector Base Post	M2426XX 7P TE	コ ネ ク タ ベ ース ポ ス ト			01
CN407	VV066700	Connector Base Post	M2426XX 7P TE	コ ネ ク タ ベ ース ポ ス ト			01
CN601	VV067100	Connector Base Post	M2426XX 11P TE	コ ネ ク タ ベ ース ポ ス ト			01

*: New Parts

RANK: Japan only

REF NO.	PART NO.	DESCRIPTION	部 品 名	REMARKS	QTY	RANK
CN602	VV066900	Connector Base Post	M2426XX 9P TE	コネクタベースポスト		01
CN603	VV066600	Connector Base Post	M2426XX 6P TE	コネクタベースポスト		01
CN604	VV066600	Connector Base Post	M2426XX 6P TE	コネクタベースポスト		01
CN605	VZ005700	Fasten Terminal	TP82223-22	ファストン端子		01
-608	VZ005700	Fasten Terminal	TP82223-22	ファストン端子		01
CN609	VV066200	Connector Base Post	M2426XX 2P TE	コネクタベースポスト		01
CN610	VV066200	Connector Base Post	M2426XX 2P TE	コネクタベースポスト		01
CN701	VV068500	Connector Base Post	M2426XXR 11P SE	コネクタベースポスト		01
CN801	VQ048600	Connector, FFC	52045 37P TE	FFCコネクタ		01
D401	VT332900	Diode	1SS355 TE-17	ダイオード		01
-411	VT332900	Diode	1SS355 TE-17	ダイオード		01
D601	VT332900	Diode	1SS355 TE-17	ダイオード		01
-603	VT332900	Diode	1SS355 TE-17	ダイオード		01
D605	VT332900	Diode	1SS355 TE-17	ダイオード		01
-615	VT332900	Diode	1SS355 TE-17	ダイオード		01
* D701	VU172900	Zener Diode	UDZS13B TE-17 13V	ツェナーダイオード		01
D702	VT332900	Diode	1SS355 TE-17	ダイオード		01
D705	VT332900	Diode	1SS355 TE-17	ダイオード		01
D801	VT332900	Diode	1SS355 TE-17	ダイオード		01
-816	VT332900	Diode	1SS355 TE-17	ダイオード		01
D901	VT332900	Diode	1SS355 TE-17	ダイオード		01
-912	VT332900	Diode	1SS355 TE-17	ダイオード		01
EM801	VV056900	Noise Filter	ZJSR5101-223TA	ノイズフィルター EMI		01
IC401	XL669A00	IC	M5238AFP	I C	OP AMP	03
IC402	XJ553A00	IC	NUM2068MD-T1	I C	OP AMP	02
-407	XJ553A00	IC	NUM2068MD-T1	I C	OP AMP	02
* IC408	X2101A00	IC	TC9413AP	I C	VOLUME	06
IC601	IG103520	IC	NJM4558M(T1)	I C	OP AMP	03
-606	IG103520	IC	NJM4558M(T1)	I C	OP AMP	03
* IC701	X0654A00	IC	LB1409M	I C	LED DRIVE	05
* IC702	X0654A00	IC	LB1409M	I C	LED DRIVE	05
* IC801	X2263100	IC	HD6437042AF28	I C	CPU	
* IC802	X2155A00	IC	DS36276M	I C	TRANSCEIVER	06
IC803	XP226A00	IC	IC-PST591DMT	I C	SYSTEM RESET	03
IC804	XY806A00	IC	TC7WH14FU	I C	INVERTER	02
IC901	XJ553A00	IC	NUM2068MD-T1	I C	OP AMP	02
-906	XJ553A00	IC	NUM2068MD-T1	I C	OP AMP	02
* JK401	V9234300	XLM Connector	JACK NC3FBH1	キャノンコネクタ	INPUT A	06
* JK402	V9234300	XLM Connector	JACK NC3FBH1	キャノンコネクタ	INPUT B	06
* JK403	V4177800	Mini Lug Terminal	ME060-50806	ミニ端子台 6P	INPUT	
* JK801	V8244900	Modular Jack	52018-8845	モジュラージャック 8P	DATA PORT2	04
* JK802	V8244900	Modular Jack	52018-8845	モジュラージャック 8P	DATA PORT1	04
* K401	V9851800	Terminal Plate	PC	ターミナル金具		
* K601	VV075700	Terminal Plate		ターミナル金具		01
* L601	V8937400	Coil	RZ-001/SPR 21mm	空芯コイル 1.5U		
* L602	V8937400	Coil	RZ-001/SPR 21mm	空芯コイル 1.5U		
* L603	V8937500	Coil	RZ-001 7.5T	空芯コイル 0.5uH		
* L604	V8937500	Coil	RZ-001 7.5T	空芯コイル 0.5uH		
L802	VS740100	Chip Inductance	BLM21B751S 2125	チップインダクタ		03
L804	VS740100	Chip Inductance	BLM21B751S 2125	チップインダクタ		03
-838	VS740100	Chip Inductance	BLM21B751S 2125	チップインダクタ		03
* LD701	V8181400	LED Level Mater	DC-6G3Y1HWA	LEDレベルメーター		
LD702	VV620800	LED	LT311G-41-C13 RE	L E D		01
LD703	VV620800	LED	LT311G-41-C13 RE	L E D		01
LD704	VV621000	LED	LT321-41-C13 GR	L E D		01
LD705	V8181400	LED Level Mater	DC-6G3Y1HWA	LEDレベルメーター		
LD706	VZ059800	LED	SLP-581D-37 RE/GR	2色LED		02
PH401	VP116000	Photo Coupler	P873-G35-552	フォトカブラ		06
PH402	VP116000	Photo Coupler	P873-G35-552	フォトカブラ		06
Q401	VV556500	Transistor	2SA1037AK Q,R,S	トランジスタ		01
Q402	VV556500	Transistor	2SA1037AK Q,R,S	トランジスタ		01
Q403	VV556400	Transistor	2SC2412K Q,R,S	トランジスタ		01
Q404	VV655000	Digital Transistor	DTA114EKA TP	デジタルトランジスタ		01
Q405	VV655400	Digital Transistor	DTC114EKA TP	デジタルトランジスタ		01
Q406	VV556500	Transistor	2SA1037AK Q,R,S	トランジスタ		01
Q407	VV556500	Transistor	2SA1037AK Q,R,S	トランジスタ		01
Q408	VV556400	Transistor	2SC2412K Q,R,S	トランジスタ		01
Q409	VV655000	Digital Transistor	DTA114EKA TP	デジタルトランジスタ		01
Q410	VV655400	Digital Transistor	DTC114EKA TP	デジタルトランジスタ		01
Q411	VV655000	Digital Transistor	DTA114EKA TP	デジタルトランジスタ		01

*: New Parts

RANK: Japan only

REF NO.	PART NO.	DESCRIPTION	部 品 名	REMARKS	QTY	RANK
-413	VV655000	Digital Transistor	DTA114EKA TP	デジタルトランジスタ		01
Q414	VV655400	Digital Transistor	DTC114EKA TP	デジタルトランジスタ		01
-416	VV655400	Digital Transistor	DTC114EKA TP	デジタルトランジスタ		01
Q417	VV655000	Digital Transistor	DTA114EKA TP	デジタルトランジスタ		01
Q418	VD303700	Transistor	2SC3326 A,B TE85R	トランジスタ		01
Q419	VV655400	Digital Transistor	DTC114EKA TP	デジタルトランジスタ		01
Q420	VD303700	Transistor	2SC3326 A,B TE85R	トランジスタ		01
Q421	VV655400	Digital Transistor	DTC114EKA TP	デジタルトランジスタ		01
Q422	VV655000	Digital Transistor	DTA114EKA TP	デジタルトランジスタ		01
Q423	VV655000	Digital Transistor	DTA114EKA TP	デジタルトランジスタ		01
Q601	VV655000	Digital Transistor	DTA114EKA TP	デジタルトランジスタ		01
Q602	VV655400	Digital Transistor	DTC114EKA TP	デジタルトランジスタ		01
Q603	VV556500	Transistor	2SA1037AK Q,R,S	トランジスタ		01
Q604	VV655000	Digital Transistor	DTA114EKA TP	デジタルトランジスタ		01
Q605	VV655400	Digital Transistor	DTC114EKA TP	デジタルトランジスタ		01
Q606	VV655400	Digital Transistor	DTC114EKA TP	デジタルトランジスタ		01
Q607	VV655000	Digital Transistor	DTA114EKA TP	デジタルトランジスタ		01
Q608	VV655000	Digital Transistor	DTA114EKA TP	デジタルトランジスタ		01
Q609	VV655400	Digital Transistor	DTC114EKA TP	デジタルトランジスタ		01
-613	VV655400	Digital Transistor	DTC114EKA TP	デジタルトランジスタ		01
Q614	VV556400	Transistor	2SC2412K Q,R,S	トランジスタ		01
Q615	VV556400	Transistor	2SC2412K Q,R,S	トランジスタ		01
Q616	VV655000	Digital Transistor	DTA114EKA TP	デジタルトランジスタ		01
Q617	VV655000	Digital Transistor	DTA114EKA TP	デジタルトランジスタ		01
Q618	VV556400	Transistor	2SC2412K Q,R,S	トランジスタ		01
Q619	VV655000	Digital Transistor	DTA114EKA TP	デジタルトランジスタ		01
Q620	VV556500	Transistor	2SA1037AK Q,R,S	トランジスタ		01
Q621	VV556400	Transistor	2SC2412K Q,R,S	トランジスタ		01
Q622	VV556400	Transistor	2SC2412K Q,R,S	トランジスタ		01
Q623	VV655400	Digital Transistor	DTC114EKA TP	デジタルトランジスタ		01
Q624	VV556400	Transistor	2SC2412K Q,R,S	トランジスタ		01
Q625	VV655400	Digital Transistor	DTC114EKA TP	デジタルトランジスタ		01
Q626	VV556500	Transistor	2SA1037AK Q,R,S	トランジスタ		01
Q627	VV655400	Digital Transistor	DTC114EKA TP	デジタルトランジスタ		01
Q628	VV655400	Digital Transistor	DTC114EKA TP	デジタルトランジスタ		01
Q629	VV556400	Transistor	2SC2412K Q,R,S	トランジスタ		01
Q630	VV556500	Transistor	2SA1037AK Q,R,S	トランジスタ		01
Q631	VV556400	Transistor	2SC2412K Q,R,S	トランジスタ		01
Q632	VV655400	Digital Transistor	DTC114EKA TP	デジタルトランジスタ		01
-635	VV655400	Digital Transistor	DTC114EKA TP	デジタルトランジスタ		01
Q636	VV655000	Digital Transistor	DTA114EKA TP	デジタルトランジスタ		01
Q637	VV655000	Digital Transistor	DTA114EKA TP	デジタルトランジスタ		01
Q701	VV556400	Transistor	2SC2412K Q,R,S	トランジスタ		01
-708	VV556400	Transistor	2SC2412K Q,R,S	トランジスタ		01
Q709	V4096100	Transistor	2SC4614 S,T	トランジスタ		02
Q710	VV556400	Transistor	2SC2412K Q,R,S	トランジスタ		01
Q711	V2797600	Transistor	2SA1993 E,F	トランジスタ		01
Q713	VV556400	Transistor	2SC2412K Q,R,S	トランジスタ		01
-721	VV556400	Transistor	2SC2412K Q,R,S	トランジスタ		01
Q722	V2797600	Transistor	2SA1993 E,F	トランジスタ		01
Q723	VV655400	Digital Transistor	DTC114EKA TP	デジタルトランジスタ		01
R401	RG007100	Carbon Resistor (chip)	10K 0.1 J	チップ抵抗		
R402	RG006220	Carbon Resistor (chip)	2.2K 0.1 J	チップ抵抗		
R403	RG006220	Carbon Resistor (chip)	2.2K 0.1 J	チップ抵抗		
R404	RG005100	Carbon Resistor (chip)	100 0.1 J	チップ抵抗		
R405	RG007220	Carbon Resistor (chip)	22K 0.1 J	チップ抵抗		
R406	RG007220	Carbon Resistor (chip)	22K 0.1 J	チップ抵抗		
R407	RG006300	Carbon Resistor (chip)	3.0K 0.1 J	チップ抵抗		
R408	RG006100	Carbon Resistor (chip)	1.0K 0.1 J	チップ抵抗		
R409	RG007220	Carbon Resistor (chip)	22K 0.1 J	チップ抵抗		
R410	RG007220	Carbon Resistor (chip)	22K 0.1 J	チップ抵抗		
R411	RG005330	Carbon Resistor (chip)	330 0.1 J	チップ抵抗		
R412	RG007110	Carbon Resistor (chip)	11K 0.1 J	チップ抵抗		
R413	RG007560	Carbon Resistor (chip)	56K 0.1 J	チップ抵抗		
R414	RG007220	Carbon Resistor (chip)	22K 0.1 J	チップ抵抗		
R416	RG007220	Carbon Resistor (chip)	22K 0.1 J	チップ抵抗		
R417	VI197800	Metal Film Resistor(chip)	15.0K 1/10 D	チップ金被抵抗		01
-420	VI197800	Metal Film Resistor(chip)	15.0K 1/10 D	チップ金被抵抗		01
R421	RG006300	Carbon Resistor (chip)	3.0K 0.1 J	チップ抵抗		
R422	RG006100	Carbon Resistor (chip)	1.0K 0.1 J	チップ抵抗		

*: New Parts

RANK: Japan only

REF NO.	PART NO.	DESCRIPTION	部 品 名	REMARKS	QTY	RANK
R423	RG007220	Carbon Resistor (chip)	22K 0.1 J	チ ッ プ 抵 抗		
R424	V1197800	Metal Film Resistor(chip)	15.0K 1/10 D	チ ッ プ 金 被 抵 抗		01
R425	V1197800	Metal Film Resistor(chip)	15.0K 1/10 D	チ ッ プ 金 被 抵 抗		01
R426	RG007220	Carbon Resistor (chip)	22K 0.1 J	チ ッ プ 抵 抗		
R427	V1197800	Metal Film Resistor(chip)	15.0K 1/10 D	チ ッ プ 金 被 抵 抗		01
R428	V1197800	Metal Film Resistor(chip)	15.0K 1/10 D	チ ッ プ 金 被 抵 抗		01
R429	RG005330	Carbon Resistor (chip)	330 0.1 J	チ ッ プ 抵 抗		
R430	RG007110	Carbon Resistor (chip)	11K 0.1 J	チ ッ プ 抵 抗		
R431	RG007560	Carbon Resistor (chip)	56K 0.1 J	チ ッ プ 抵 抗		
R432	RG007220	Carbon Resistor (chip)	22K 0.1 J	チ ッ プ 抵 抗		
R433	RG004180	Carbon Resistor (chip)	18 0.1 J	チ ッ プ 抵 抗		
R434	RG004180	Carbon Resistor (chip)	18 0.1 J	チ ッ プ 抵 抗		
* R435	RF357270	Carbon Resistor (chip)	27.0K D 1608	チ ッ プ 抵 抗		
* R436	RF357270	Carbon Resistor (chip)	27.0K D 1608	チ ッ プ 抵 抗		
R437	RF357560	Carbon Resistor (chip)	56.0K D 1608	チ ッ プ 抵 抗		
R438	RF357560	Carbon Resistor (chip)	56.0K D 1608	チ ッ プ 抵 抗		
R439	RG004180	Carbon Resistor (chip)	18 0.1 J	チ ッ プ 抵 抗		
R440	RG004180	Carbon Resistor (chip)	18 0.1 J	チ ッ プ 抵 抗		
R442	RG005560	Carbon Resistor (chip)	560 0.1 J	チ ッ プ 抵 抗		
R443	RG008100	Carbon Resistor (chip)	100K 0.1 J	チ ッ プ 抵 抗		
R444	RF356470	Carbon Resistor (chip)	4.7K D 1608	チ ッ プ 抵 抗		01
R445	RF356470	Carbon Resistor (chip)	4.7K D 1608	チ ッ プ 抵 抗		01
R446	RG006270	Carbon Resistor (chip)	2.7K 0.1 J	チ ッ プ 抵 抗		
R447	RG006270	Carbon Resistor (chip)	2.7K 0.1 J	チ ッ プ 抵 抗		
R448	RF356470	Carbon Resistor (chip)	4.7K D 1608	チ ッ プ 抵 抗		01
R449	RF356470	Carbon Resistor (chip)	4.7K D 1608	チ ッ プ 抵 抗		01
R450	RG004180	Carbon Resistor (chip)	18 0.1 J	チ ッ プ 抵 抗		
R451	RG004180	Carbon Resistor (chip)	18 0.1 J	チ ッ プ 抵 抗		
R453	RG005560	Carbon Resistor (chip)	560 0.1 J	チ ッ プ 抵 抗		
R454	RG008100	Carbon Resistor (chip)	100K 0.1 J	チ ッ プ 抵 抗		
R455	RF356470	Carbon Resistor (chip)	4.7K D 1608	チ ッ プ 抵 抗		01
R456	RF356470	Carbon Resistor (chip)	4.7K D 1608	チ ッ プ 抵 抗		01
R457	RG004180	Carbon Resistor (chip)	18 0.1 J	チ ッ プ 抵 抗		
R458	RG004180	Carbon Resistor (chip)	18 0.1 J	チ ッ プ 抵 抗		
R459	RG008100	Carbon Resistor (chip)	100K 0.1 J	チ ッ プ 抵 抗		
R460	RG008100	Carbon Resistor (chip)	100K 0.1 J	チ ッ プ 抵 抗		
R461	RG004180	Carbon Resistor (chip)	18 0.1 J	チ ッ プ 抵 抗		
R462	RG004180	Carbon Resistor (chip)	18 0.1 J	チ ッ プ 抵 抗		
R463	RG007300	Carbon Resistor (chip)	30K 0.1 J	チ ッ プ 抵 抗		
R464	RF356470	Carbon Resistor (chip)	4.7K : D 1608	チ ッ プ 抵 抗		01
R465	RG006270	Carbon Resistor (chip)	2.7K 0.1 J	チ ッ プ 抵 抗		
R466	RF356470	Carbon Resistor (chip)	4.7K : D 1608	チ ッ プ 抵 抗		01
R467	RG004180	Carbon Resistor (chip)	18 0.1 J	チ ッ プ 抵 抗		
R468	V9756900	Carbon Resistor	330 1/2 F	力 - ボ ン 抵 抗		03
R469	V9756900	Carbon Resistor	330 1/2 F	力 - ボ ン 抵 抗		03
R471	RG000000	Carbon Resistor (chip)	0 0.1 J	チ ッ プ 抵 抗		
R473	RG000000	Carbon Resistor (chip)	0 0.1 J	チ ッ プ 抵 抗		
R475	RG000000	Carbon Resistor (chip)	0 0.1 J	チ ッ プ 抵 抗		
R477	RG000000	Carbon Resistor (chip)	0 0.1 J	チ ッ プ 抵 抗		
R479	RG000000	Carbon Resistor (chip)	0 0.1 J	チ ッ プ 抵 抗		
R481	RG000000	Carbon Resistor (chip)	0 0.1 J	チ ッ プ 抵 抗		
R483	RG000000	Carbon Resistor (chip)	0 0.1 J	チ ッ プ 抵 抗		
R484	RG008100	Carbon Resistor (chip)	100K 0.1 J	チ ッ プ 抵 抗		
R485	RG008100	Carbon Resistor (chip)	100K 0.1 J	チ ッ プ 抵 抗		
R486	RG006120	Carbon Resistor (chip)	1.2K 0.1 J	チ ッ プ 抵 抗		
R487	RG006120	Carbon Resistor (chip)	1.2K 0.1 J	チ ッ プ 抵 抗		
R601	VY997600	Metal Oxide Film Resistor	4.7 3W J	サ ン キ ン 抵 抗		01
R602	VY997600	Metal Oxide Film Resistor	4.7 3W J	サ ン キ ン 抵 抗		01
R603	RG007300	Carbon Resistor (chip)	30K 0.1 J	チ ッ プ 抵 抗		
R604	RG005220	Carbon Resistor (chip)	220 0.1 J	チ ッ プ 抵 抗		
R605	VY997600	Metal Oxide Film Resistor	4.7 3W J	サ ン キ ン 抵 抗		01
R606	VY997600	Metal Oxide Film Resistor	4.7 3W J	サ ン キ ン 抵 抗		01
R607	RG007470	Carbon Resistor (chip)	47K 0.1 J	チ ッ プ 抵 抗		
R608	VV276700	Flame Proof C. Resistor	4.7 1/4 J	不 燃 化 力 - ボ ン 抵 抗		01
R609	VV276700	Flame Proof C. Resistor	4.7 1/4 J	不 燃 化 力 - ボ ン 抵 抗		01
R610	RG006470	Carbon Resistor (chip)	4.7K 0.1 J	チ ッ プ 抵 抗		
R611	RG005220	Carbon Resistor (chip)	220 0.1 J	チ ッ プ 抵 抗		
R612	RF357360	Carbon Resistor (chip)	36.0K D 1608	チ ッ プ 抵 抗		
R613	RF357470	Carbon Resistor (chip)	47.0K D 1608	チ ッ プ 抵 抗		
R614	RF356430	Carbon Resistor (chip)	4.3K D 1608	チ ッ プ 抵 抗		

*: New Parts

RANK: Japan only

REF NO.	PART NO.	DESCRIPTION	部 品 名	REMARKS	QTY	RANK
R615	RF356430	Carbon Resistor (chip)	4.3K D 1608			
R616	RF357360	Carbon Resistor (chip)	36.0K D 1608			
R617	RF357470	Carbon Resistor (chip)	47.0K D 1608			
R618	VZ008800	Flame Proof C. Resistor	22.0 1/4 J			01
R619	VZ008800	Flame Proof C. Resistor	22.0 1/4 J			01
R620	RG008100	Carbon Resistor (chip)	100K 0.1 J			
R621	RG006100	Carbon Resistor (chip)	1.0K 0.1 J			
R622	RG006470	Carbon Resistor (chip)	4.7K 0.1 J			
R623	RG007680	Carbon Resistor (chip)	68K 0.1 J			
R628	RG007680	Carbon Resistor (chip)	68K 0.1 J			
R629	RG007300	Carbon Resistor (chip)	30K 0.1 J			
R630	RG006100	Carbon Resistor (chip)	1.0K 0.1 J			
R631	RG007680	Carbon Resistor (chip)	68K 0.1 J			
R632	RG006470	Carbon Resistor (chip)	4.7K 0.1 J			
R633	RG007470	Carbon Resistor (chip)	47K 0.1 J			
R637	RG006470	Carbon Resistor (chip)	4.7K 0.1 J			
R638	RG007100	Carbon Resistor (chip)	10K 0.1 J			
R639	RF355240	Carbon Resistor (chip)	240.0 D 1608			
R640	RF355240	Carbon Resistor (chip)	240.0 D 1608			
* R641	RF356220	Carbon Resistor (chip)	2.2K D 1608			01
* R642	RF356220	Carbon Resistor (chip)	2.2K D 1608			01
R643	RF359100	Carbon Resistor (chip)	1.0M D 1608			
R644	RF359100	Carbon Resistor (chip)	1.0M D 1608			
R646	RG007100	Carbon Resistor (chip)	10K 0.1 J			
R647	RF356470	Carbon Resistor (chip)	4.7K D 1608			01
R648	RF356470	Carbon Resistor (chip)	4.7K D 1608			01
R649	RG006300	Carbon Resistor (chip)	3.0K 0.1 J			
R650	RG006300	Carbon Resistor (chip)	3.0K 0.1 J			
R651	RG007240	Carbon Resistor (chip)	24K 0.1 J			
R652	RG006470	Carbon Resistor (chip)	4.7K 0.1 J			
R654	RG007100	Carbon Resistor (chip)	10K 0.1 J			
R656	RG007100	Carbon Resistor (chip)	10K 0.1 J			
R657	RG007100	Carbon Resistor (chip)	10K 0.1 J			
R658	RG004180	Carbon Resistor (chip)	18 0.1 J			
R659	RG007100	Carbon Resistor (chip)	10K 0.1 J			
R660	RG007180	Carbon Resistor (chip)	18K 0.1 J			
R661	RG006130	Carbon Resistor (chip)	1.3K 0.1 J			
R662	RG007330	Carbon Resistor (chip)	33K 0.1 J			
R663	RG007300	Carbon Resistor (chip)	30K 0.1 J			
R664	RG007330	Carbon Resistor (chip)	33K 0.1 J			
R665	RG004180	Carbon Resistor (chip)	18 0.1 J			
R666	RG007100	Carbon Resistor (chip)	10K 0.1 J			
* R667	RG008560	Carbon Resistor (chip)	560K 0.1 J			
R668	RG009100	Carbon Resistor (chip)	1.0M 0.1 J			
R669	RG008220	Carbon Resistor (chip)	220K 0.1 J			
* R670	RG008560	Carbon Resistor (chip)	560K 0.1 J			
R671	RG009100	Carbon Resistor (chip)	1.0M 0.1 J			
R672	RG008220	Carbon Resistor (chip)	220K 0.1 J			
* R673	RG008560	Carbon Resistor (chip)	560K 0.1 J			
* R674	RG008560	Carbon Resistor (chip)	560K 0.1 J			
R675	RG007300	Carbon Resistor (chip)	30K 0.1 J			
R676	RG007100	Carbon Resistor (chip)	10K 0.1 J			
R677	RG007100	Carbon Resistor (chip)	10K 0.1 J			
R678	RG007240	Carbon Resistor (chip)	24K 0.1 J			
R679	RG007240	Carbon Resistor (chip)	24K 0.1 J			
R680	RG005220	Carbon Resistor (chip)	220 0.1 J			
R681	RG005220	Carbon Resistor (chip)	220 0.1 J			
R682	RG006220	Carbon Resistor (chip)	2.2K 0.1 J			
R683	RG009100	Carbon Resistor (chip)	1.0M 0.1 J			
R684	RG009100	Carbon Resistor (chip)	1.0M 0.1 J			
R701	RG008100	Carbon Resistor (chip)	100K 0.1 J			
-708	RG008100	Carbon Resistor (chip)	100K 0.1 J			
R709	RG006100	Carbon Resistor (chip)	1.0K 0.1 J			
R710	RG008100	Carbon Resistor (chip)	100K 0.1 J			
R711	RG005100	Carbon Resistor (chip)	100 0.1 J			
R712	RG006100	Carbon Resistor (chip)	1.0K 0.1 J			
R713	RG006220	Carbon Resistor (chip)	2.2K 0.1 J			
R714	RG007200	Carbon Resistor (chip)	20K 0.1 J			
R715	RG005220	Carbon Resistor (chip)	220 0.1 J			
R716	RG007100	Carbon Resistor (chip)	10K 0.1 J			

*: New Parts

RANK: Japan only

REF NO.	PART NO.	DESCRIPTION	部 品 名	REMARKS	QTY	RANK
R717	RG007220	Carbon Resistor (chip)	22K 0.1 J	チ ッ ブ 抵 抗		
R718	RG007220	Carbon Resistor (chip)	22K 0.1 J	チ ッ ブ 抵 抗		
R720	RG007100	Carbon Resistor (chip)	10K 0.1 J	チ ッ ブ 抵 抗		
* R721	RF357110	Carbon Resistor (chip)	11.0K D 1608	チ ッ ブ 抵 抗		01
R723	RF358100	Carbon Resistor (chip)	100.0K D 1608	チ ッ ブ 抵 抗		01
R724	RG006150	Carbon Resistor (chip)	1.5K 0.1 J	チ ッ ブ 抵 抗		
-726	RG006150	Carbon Resistor (chip)	1.5K 0.1 J	チ ッ ブ 抵 抗		
R727	RG007180	Carbon Resistor (chip)	18K 0.1 J	チ ッ ブ 抵 抗		
R728	RG008100	Carbon Resistor (chip)	100K 0.1 J	チ ッ ブ 抵 抗		
-731	RG008100	Carbon Resistor (chip)	100K 0.1 J	チ ッ ブ 抵 抗		
R732	RG006150	Carbon Resistor (chip)	1.5K 0.1 J	チ ッ ブ 抵 抗		
-734	RG006150	Carbon Resistor (chip)	1.5K 0.1 J	チ ッ ブ 抵 抗		
R735	RG008100	Carbon Resistor (chip)	100K 0.1 J	チ ッ ブ 抵 抗		
R736	RG008100	Carbon Resistor (chip)	100K 0.1 J	チ ッ ブ 抵 抗		
R737	RG005560	Carbon Resistor (chip)	560 0.1 J	チ ッ ブ 抵 抗		
R738	RG008100	Carbon Resistor (chip)	100K 0.1 J	チ ッ ブ 抵 抗		
R739	RG008100	Carbon Resistor (chip)	100K 0.1 J	チ ッ ブ 抵 抗		
R740	RG005560	Carbon Resistor (chip)	560 0.1 J	チ ッ ブ 抵 抗		
R741	RG008100	Carbon Resistor (chip)	100K 0.1 J	チ ッ ブ 抵 抗		
R742	RG005100	Carbon Resistor (chip)	100 0.1 J	チ ッ ブ 抵 抗		
R743	RG006100	Carbon Resistor (chip)	1.0K 0.1 J	チ ッ ブ 抵 抗		
R744	RG006220	Carbon Resistor (chip)	2.2K 0.1 J	チ ッ ブ 抵 抗		
R745	RG007200	Carbon Resistor (chip)	20K 0.1 J	チ ッ ブ 抵 抗		
R746	RG005220	Carbon Resistor (chip)	220 0.1 J	チ ッ ブ 抵 抗		
R747	RG007100	Carbon Resistor (chip)	10K 0.1 J	チ ッ ブ 抵 抗		
R748	RG007220	Carbon Resistor (chip)	22K 0.1 J	チ ッ ブ 抵 抗		
R749	RG007360	Carbon Resistor (chip)	36K 0.1 J	チ ッ ブ 抵 抗		
R751	RG007220	Carbon Resistor (chip)	22K 0.1 J	チ ッ ブ 抵 抗		
* R754	RF357110	Carbon Resistor (chip)	11.0K D 1608	チ ッ ブ 抵 抗		01
R756	RF358100	Carbon Resistor (chip)	100.0K D 1608	チ ッ ブ 抵 抗		01
R758	RG006150	Carbon Resistor (chip)	1.5K 0.1 J	チ ッ ブ 抵 抗		
R759	RG006150	Carbon Resistor (chip)	1.5K 0.1 J	チ ッ ブ 抵 抗		
R760	RG006150	Carbon Resistor (chip)	1.5K 0.1 J	チ ッ ブ 抵 抗		
R761	RG007180	Carbon Resistor (chip)	18K 0.1 J	チ ッ ブ 抵 抗		
R763	RG007100	Carbon Resistor (chip)	10K 0.1 J	チ ッ ブ 抵 抗		
* R767	RF355160	Carbon Resistor (chip)	160.0 D 1608	チ ッ ブ 抵 抗		
* R768	RF355160	Carbon Resistor (chip)	160.0 D 1608	チ ッ ブ 抵 抗		
R769	RG006100	Carbon Resistor (chip)	1.0K 0.1 J	チ ッ ブ 抵 抗		
R770	RG006470	Carbon Resistor (chip)	4.7K 0.1 J	チ ッ ブ 抵 抗		
R771	RG005680	Carbon Resistor (chip)	680 0.1 J	チ ッ ブ 抵 抗		
R801	RG005330	Carbon Resistor (chip)	330 0.1 J	チ ッ ブ 抵 抗		
R802	RG006330	Carbon Resistor (chip)	3.3K 0.1 J	チ ッ ブ 抵 抗		
R803	RG005220	Carbon Resistor (chip)	220 0.1 J	チ ッ ブ 抵 抗		
R804	RG006470	Carbon Resistor (chip)	4.7K 0.1 J	チ ッ ブ 抵 抗		
* R805	RG205220	Carbon Resistor (chip)	220 1/4 J	チ ッ ブ 抵 抗		
R806	RG006100	Carbon Resistor (chip)	1.0K 0.1 J	チ ッ ブ 抵 抗		
-813	RG006100	Carbon Resistor (chip)	1.0K 0.1 J	チ ッ ブ 抵 抗		
R814	RG007470	Carbon Resistor (chip)	47K 0.1 J	チ ッ ブ 抵 抗		
-820	RG007470	Carbon Resistor (chip)	47K 0.1 J	チ ッ ブ 抵 抗		
R821	RG005100	Carbon Resistor (chip)	100 0.1 J	チ ッ ブ 抵 抗		
R822	RG007100	Carbon Resistor (chip)	10K 0.1 J	チ ッ ブ 抵 抗		
R823	RG205220	Carbon Resistor (chip)	220 1/4 J	チ ッ ブ 抵 抗		
R824	RG007470	Carbon Resistor (chip)	47K 0.1 J	チ ッ ブ 抵 抗		
-827	RG007470	Carbon Resistor (chip)	47K 0.1 J	チ ッ ブ 抵 抗		
R828	RG005100	Carbon Resistor (chip)	100 0.1 J	チ ッ ブ 抵 抗		
-835	RG005100	Carbon Resistor (chip)	100 0.1 J	チ ッ ブ 抵 抗		
R901	RF357470	Carbon Resistor (chip)	47.0K D 1608	チ ッ ブ 抵 抗		
R902	RF357470	Carbon Resistor (chip)	47.0K D 1608	チ ッ ブ 抵 抗		
R903	RG007100	Carbon Resistor (chip)	10K 0.1 J	チ ッ ブ 抵 抗		
R904	RG007100	Carbon Resistor (chip)	10K 0.1 J	チ ッ ブ 抵 抗		
R905	RF357470	Carbon Resistor (chip)	47.0K D 1608	チ ッ ブ 抵 抗		
-912	RF357470	Carbon Resistor (chip)	47.0K D 1608	チ ッ ブ 抵 抗		
R913	RG007100	Carbon Resistor (chip)	10K 0.1 J	チ ッ ブ 抵 抗		
R914	RG007100	Carbon Resistor (chip)	10K 0.1 J	チ ッ ブ 抵 抗		
* R915	RF357270	Carbon Resistor (chip)	27.0K D 1608	チ ッ ブ 抵 抗		
* R916	RF357270	Carbon Resistor (chip)	27.0K D 1608	チ ッ ブ 抵 抗		
R919	RF357470	Carbon Resistor (chip)	47.0K D 1608	チ ッ ブ 抵 抗		
R920	RF357470	Carbon Resistor (chip)	47.0K D 1608	チ ッ ブ 抵 抗		
R921	RG007100	Carbon Resistor (chip)	10K 0.1 J	チ ッ ブ 抵 抗		
R922	RG007100	Carbon Resistor (chip)	10K 0.1 J	チ ッ ブ 抵 抗		

*: New Parts

RANK: Japan only

REF NO.	PART NO.	DESCRIPTION		部 品 名	REMARKS	QTY	RANK
R923	RF357470	Carbon Resistor (chip)	47.0K D 1608	チ ッ プ 抵 抗			
-930	RF357470	Carbon Resistor (chip)	47.0K D 1608	チ ッ プ 抵 抗			
R931	RG007100	Carbon Resistor (chip)	10K 0.1 J	チ ッ プ 抵 抗			
R932	RG007100	Carbon Resistor (chip)	10K 0.1 J	チ ッ プ 抵 抗			
R933	RF357470	Carbon Resistor (chip)	47.0K D 1608	チ ッ プ 抵 抗			
R934	RF357470	Carbon Resistor (chip)	47.0K D 1608	チ ッ プ 抵 抗			
R937	RF357470	Carbon Resistor (chip)	47.0K D 1608	チ ッ プ 抵 抗			
R938	RF357470	Carbon Resistor (chip)	47.0K D 1608	チ ッ プ 抵 抗			
R939	RG007100	Carbon Resistor (chip)	10K 0.1 J	チ ッ プ 抵 抗			
R940	RG007100	Carbon Resistor (chip)	10K 0.1 J	チ ッ プ 抵 抗			
R941	RF357470	Carbon Resistor (chip)	47.0K D 1608	チ ッ プ 抵 抗			
-948	RF357470	Carbon Resistor (chip)	47.0K D 1608	チ ッ プ 抵 抗			
R949	RG007100	Carbon Resistor (chip)	10K 0.1 J	チ ッ プ 抵 抗			
R950	RG007100	Carbon Resistor (chip)	10K 0.1 J	チ ッ プ 抵 抗			
R951	RF357680	Carbon Resistor (chip)	68.0K D 1608	チ ッ プ 抵 抗			01
R952	RF357680	Carbon Resistor (chip)	68.0K D 1608	チ ッ プ 抵 抗			01
R955	RG005220	Carbon Resistor (chip)	220 0.1 J	チ ッ プ 抵 抗			
-960	RG005220	Carbon Resistor (chip)	220 0.1 J	チ ッ プ 抵 抗			
RA802	RE047470	Resistor Array	47KX4	抵 抗 ア レ イ			01
-805	RE047470	Resistor Array	47KX4	抵 抗 ア レ イ			01
RA807	RE047470	Resistor Array	47KX4	抵 抗 ア レ イ			01
RA809	RE047470	Resistor Array	47KX4	抵 抗 ア レ イ			01
RA811	RE045100	Resistor Array	100X4	抵 抗 ア レ イ			01
RY401	V8245600	Relay	DC ATX203	リ レ			04
-403	V8245600	Relay	DC ATX203	リ レ			04
SP601	VZ956900	Speaker Terminal	STB-403AU 4P	ス ピ ー カ 端 子	SPEAKER		06
* SP602	V8181700	Receptacle	NL4MD-H	レ セ プ タ ク ル	4 P	SP 2	06
* SP603	V8181700	Receptacle	NL4MD-H	レ セ プ タ ク ル	4 P	SP 1	06
SW401	V6024900	Slide Switch	SSSF043NA1-YL	ス ラ イ ド ス witch	BRIDGE		03
* SW402	V8096600	Slide Switch	SSSF022NA1-YL	ス ラ イ ド ス witch	HPF 40HZ		02
* SW801	V8243300	Dip Switch	RPL-06	デ ィ ッ プ ス witch	AMP ID		03
VR401	VR150500	Rotary Variable Resistor	5K RK271112	ロ ー タ リ ー V R	CH ATT B		07
VR402	VR150500	Rotary Variable Resistor	5K RK271112	ロ ー タ リ ー V R	CH ATT A		07
VR702	V2347600	Trimmer Potentiometer	B 1K 3P TB625M	半 固 定 V R	LED METER ADJUSTMENT		01
VR704	V2347600	Trimmer Potentiometer	B 1K 3P TB625M	半 固 定 V R			01
* X801	V8249200	Quartz Crystal Unit	6.4512MHZ AT-49	水 晶 振 動 子			03
* --	--	Circuit Board	PA10	シ ー ト P A 1 0	(V848140)(X2074C0)		
C201	UA953150	Mylar Capacitor	1500P 50V J	マ イ ラ ー コ ン			01
C202	VZ004000	Electrolytic Cap.-SK	2.2 200.0V	ケ ミ コ ン S K			01
C203	VZ004000	Electrolytic Cap.-SK	2.2 200.0V	ケ ミ コ ン S K			01
C204	UR828220	Electrolytic Cap.	220.00 10.0V	ケ ミ コ ン			01
C205	FU451100	Mica Capacitor	10P 500V D	マ イ カ コ ン			01
C206	VV060300	Mylar Capacitor	2200P 50V J	マ イ ラ ー コ ン			01
C207	UR847100	Electrolytic Cap.	10.00 25.0V	ケ ミ コ ン			01
C208	VZ354000	Ceramic Capacitor-F	0.0100 50V Z	セ ラ コ ン F			01
C209	FU451220	Mica Capacitor	22P 500V J	マ イ カ コ ン			01
C210	FU451220	Mica Capacitor	22P 500V J	マ イ カ コ ン			01
C211	UR896470	Electrolytic Cap.	4.7 100.0V	ケ ミ コ ン			01
C212	UR896470	Electrolytic Cap.	4.7 100.0V	ケ ミ コ ン			01
C213	VZ354000	Ceramic Capacitor-F	0.0100 50V Z	セ ラ コ ン F			01
C214	VZ354000	Ceramic Capacitor-F	0.0100 50V Z	セ ラ コ ン F			01
C215	V2347400	Mylar Capacitor	7500P 50V J	マ イ ラ ー コ ン			01
C216	V2347400	Mylar Capacitor	7500P 50V J	マ イ ラ ー コ ン			01
C217	V4567500	Ceramic Capacitor-SL	10P 500V K	セ ラ コ ン (S L)			
C218	V4567500	Ceramic Capacitor-SL	10P 500V K	セ ラ コ ン (S L)			
C219	VZ004000	Electrolytic Cap.-SK	2.2 200.0V	ケ ミ コ ン S K			01
C220	VZ004000	Electrolytic Cap.-SK	2.2 200.0V	ケ ミ コ ン S K			01
C221	VV314600	Ceramic Capacitor-B	0.0022 500V K	セ ラ コ ン B			01
C222	V5097700	Mylar Capacitor	3.3000 250V K	フ ィ ル ム コ ン			05
C223	V5097700	Mylar Capacitor	3.3000 250V K	フ ィ ル ム コ ン			05
C224	VZ004000	Electrolytic Cap.-SK	2.2 200.0V	ケ ミ コ ン S K			01
C225	VZ004000	Electrolytic Cap.-SK	2.2 200.0V	ケ ミ コ ン S K			01
C226	VV314600	Ceramic Capacitor-B	0.0022 500V K	セ ラ コ ン B			01
C227	VV314600	Ceramic Capacitor-B	0.0022 500V K	セ ラ コ ン B			01
C228	VV314600	Ceramic Capacitor-B	0.0022 500V K	セ ラ コ ン B			01
* C229	V8148100	Electrolytic Cap.-GU	220.00 200.0V	ケ ミ コ ン G U			05
* C230	V8148100	Electrolytic Cap.-GU	220.00 200.0V	ケ ミ コ ン G U			05
C231	VV314600	Ceramic Capacitor-B	0.0022 500V K	セ ラ コ ン B			01
C232	UR866100	Electrolytic Cap.	1.00 50.0V	ケ ミ コ ン			01

*: New Parts

RANK: Japan only

REF NO.	PART NO.	DESCRIPTION	部 品 名	REMARKS	QTY	RANK
C233	V2347400	Mylar Capacitor	7500P 50V J	マイラコン		01
C234	V3280500	Ceramic Capacitor-B	100P 500 K	セラコン B		01
C235	V3280500	Ceramic Capacitor-B	100P 500 K	セラコン B		01
CN201	VV066300	Connector Base Post	M2426XX 3P TE	コネクタベースポスト		01
CN202	VV066600	Connector Base Post	M2426XX 6P TE	コネクタベースポスト		01
CN203	VV067600	Connector Base Post	M2426XXR 2P SE	コネクタベースポスト		01
CN204	VV067600	Connector Base Post	M2426XXR 2P SE	コネクタベースポスト		01
CN205	VV066200	Connector Base Post	M2426XX 2P TE	コネクタベースポスト		01
D201	VD631600	Diode	1SS133,176,HSS104	ダイオード		01
-204	VD631600	Diode	1SS133,176,HSS104	ダイオード		01
D206	VQ469600	Diode	HSS82	ダイオード		01
D207	VQ469600	Diode	HSS82	ダイオード		01
D208	VQ553700	Zener Diode	MTZJ6.2C 6.2V	ツェナーダイオード		01
D209	VQ553700	Zener Diode	MTZJ6.2C 6.2V	ツェナーダイオード		01
D210	VQ469600	Diode	HSS82	ダイオード		01
D211	VQ469600	Diode	HSS82	ダイオード		01
D212	VD631600	Diode	1SS133,176,HSS104	ダイオード		01
D214	VD631600	Diode	1SS133,176,HSS104	ダイオード		01
D215	VD631600	Diode	1SS133,176,HSS104	ダイオード		01
D216	VG435600	Zener Diode	MTZ J 2.7A 2.7V	ツェナーダイオード		01
D217	VG436500	Zener Diode	MTZ J 3.9A 3.9V	ツェナーダイオード		01
D218	VD631600	Diode	1SS133,176,HSS104	ダイオード		01
D219	VD631600	Diode	1SS133,176,HSS104	ダイオード		01
D220	VG438900	Zener Diode	MTZ J 8.2B 8.2V	ツェナーダイオード		01
D221	VQ469600	Diode	HSS82	ダイオード		01
D222	VQ469600	Diode	HSS82	ダイオード		01
D223	VG438400	Zener Diode	MTZ J 6.8C 6.8V	ツェナーダイオード		01
D224	VQ308300	Diode	D1NL40	ダイオード		02
D225	VQ469600	Diode	HSS82	ダイオード		01
D226	VQ469600	Diode	HSS82	ダイオード		01
D227	VQ308300	Diode	D1NL40	ダイオード		02
D228	VQ469600	Diode	HSS82	ダイオード		01
D229	VQ469600	Diode	HSS82	ダイオード		01
D230	VU801600	Diode	1N4004L 26	ダイオード		01
-233	VU801600	Diode	1N4004L 26	ダイオード		01
D236	VN478200	Diode	D1NL20U	ダイオード		01
-238	VN478200	Diode	D1NL20U	ダイオード		01
D239	VN771700		D1NS4	ダイオード		01
D240	VN771700		D1NS4	ダイオード		01
* L201	V8936700	Coil	100UH15A	コイル		
* L202	V8936700	Coil	100UH15A	コイル		
L203	GD900470	Coil	RZ-001 1.5UH	空芯コイル 1.5 uH		01
L204	GD900470	Coil	RZ-001 1.5UH	空芯コイル 1.5 uH		01
Q201	IC1815M0	Transistor	2SC1815 Y,GR	トランジスタ		01
Q202	VR152800	Transistor	2SA1480 E,F	トランジスタ		02
Q203	VR152800	Transistor	2SA1480 E,F	トランジスタ		02
Q204	VU418600	Transistor	2SC3468 D,E	トランジスタ		01
Q205	VR152800	Transistor	2SA1480 E,F	トランジスタ		02
Q206	IC1815M0	Transistor	2SC1815 Y,GR	トランジスタ		01
Q207	IC1815M0	Transistor	2SC1815 Y,GR	トランジスタ		01
Q208	IA101590	Transistor	2SA1015 O,Y	トランジスタ		01
* Q209	V8093300	Transistor	2SA1924	トランジスタ		02
* Q211	V8093400	Transistor	2SC3425	トランジスタ		03
Q213	VR152900	Transistor	2SC3790 E,F	トランジスタ		02
Q214	VR152800	Transistor	2SA1480 E,F	トランジスタ		02
Q217	VR152800	Transistor	2SA1480 E,F	トランジスタ		02
Q218	VR152900	Transistor	2SC3790 E,F	トランジスタ		02
* Q219	V8093400	Transistor	2SC3425	トランジスタ		03
* Q220	V8093300	Transistor	2SA1924	トランジスタ		02
Q221	VU418600	Transistor	2SC3468 D,E	トランジスタ		01
Q222	VU418400	Transistor	2SA1371 D,E	トランジスタ		01
Q223	V4096000	Transistor	2SA1770 S,T	トランジスタ		03
Q224	V4096100	Transistor	2SC4614 S,T	トランジスタ		02
Q225	V4096000	Transistor	2SA1770 S,T	トランジスタ		03
Q226	V1242900	Transistor	2SA1020-Y(TPE6) Y	トランジスタ		01
Q227	V1242900	Transistor	2SA1020-Y(TPE6) Y	トランジスタ		01
R201	V6433400	Metal Film Resistor	1.2K 1/4 F	金属被膜抵抗		
R202	HF457240	Carbon Resistor	24.0K 1/4 J	カーボン抵抗		01
R203	V6433400	Metal Film Resistor	1.2K 1/4 F	金属被膜抵抗		
R204	HF455560	Carbon Resistor	560.0 1/4 J	カーボン抵抗		01

*: New Parts

RANK: Japan only

REF NO.	PART NO.	DESCRIPTION		部 品 名	REMARKS	QTY	RANK
R205	HF458330	Carbon Resistor	330.0K 1/4 J	力 - ボ ン 抵 抗			01
R206	HF455560	Carbon Resistor	560.0 1/4 J	力 - ボ ン 抵 抗			01
R207	HF457100	Carbon Resistor	10.0K 1/4 J	力 - ボ ン 抵 抗			01
R208	HF455560	Carbon Resistor	560.0 1/4 J	力 - ボ ン 抵 抗			01
R209	VN688500	Carbon Resistor	12K 1/2 F	力 - ボ ン 抵 抗			03
R210	VN688500	Carbon Resistor	12K 1/2 F	力 - ボ ン 抵 抗			03
R212	HF457120	Carbon Resistor	12.0K 1/4 J	力 - ボ ン 抵 抗			01
R213	HF457120	Carbon Resistor	12.0K 1/4 J	力 - ボ ン 抵 抗			01
R214	HF457360	Carbon Resistor	36.0K 1/4 J	力 - ボ ン 抵 抗			01
R215	HF455200	Carbon Resistor	200.0 1/4 J	力 - ボ ン 抵 抗			01
R216	HF455220	Carbon Resistor	220.0 1/4 J	力 - ボ ン 抵 抗			01
R218	HF457360	Carbon Resistor	36.0K 1/4 J	力 - ボ ン 抵 抗			01
R219	HF454750	Carbon Resistor	75.0 1/4 J	力 - ボ ン 抵 抗			01
R220	HF457360	Carbon Resistor	36.0K 1/4 J	力 - ボ ン 抵 抗			01
* R223	HF455160	Carbon Resistor	160.0 1/4 J	力 - ボ ン 抵 抗			01
R224	V6252000	Flame Proof C. Resistor	470 1/4 J	不 燃 化 力 - ボ ン 抵 抗			01
R225	V6252000	Flame Proof C. Resistor	470 1/4 J	不 燃 化 力 - ボ ン 抵 抗			01
* R226	HF455160	Carbon Resistor	160.0 1/4 J	力 - ボ ン 抵 抗			01
R228	HF455130	Carbon Resistor	130.0 1/4 J	力 - ボ ン 抵 抗			01
R229	HF456180	Carbon Resistor	1.8K 1/4 J	力 - ボ ン 抵 抗			01
R230	HF457160	Carbon Resistor	16.0K 1/4 J	力 - ボ ン 抵 抗			01
R231	VZ009500	Metal Film Resistor	680K 1/4 F	金 属 被 膜 抵 抗			01
R232	V2348800	Metal Film Resistor	100K 1/4 F	金 属 被 膜 抵 抗			01
R233	VV065800	Metal Film Resistor	20K 1/4 F	金 属 被 膜 抵 抗			05
R234	VV065800	Metal Film Resistor	20K 1/4 F	金 属 被 膜 抵 抗			05
R235	VZ009500	Metal Film Resistor	680K 1/4 F	金 属 被 膜 抵 抗			01
R236	V2348800	Metal Film Resistor	100K 1/4 F	金 属 被 膜 抵 抗			01
R237	HF457160	Carbon Resistor	16.0K 1/4 J	力 - ボ ン 抵 抗			01
R244	HF457680	Carbon Resistor	68.0K 1/4 J	力 - ボ ン 抵 抗			01
-247	HF457680	Carbon Resistor	68.0K 1/4 J	力 - ボ ン 抵 抗			01
R248	VV313800	Flame Proof C. Resistor	220.0 1/4 J	不 燃 化 力 - ボ ン 抵 抗			01
R249	VV313800	Flame Proof C. Resistor	220.0 1/4 J	不 燃 化 力 - ボ ン 抵 抗			01
R252	HF457220	Carbon Resistor	22.0K 1/4 J	力 - ボ ン 抵 抗			01
R253	HF457220	Carbon Resistor	22.0K 1/4 J	力 - ボ ン 抵 抗			01
R254	VZ008900	Flame Proof C. Resistor	270.0 1/4 J	不 燃 化 力 - ボ ン 抵 抗			01
R255	VZ008900	Flame Proof C. Resistor	270.0 1/4 J	不 燃 化 力 - ボ ン 抵 抗			01
R256	VZ009300	Flame Proof C. Resistor	330.0 1/4 J	不 燃 化 力 - ボ ン 抵 抗			01
R257	VZ009300	Flame Proof C. Resistor	330.0 1/4 J	不 燃 化 力 - ボ ン 抵 抗			01
R258	V6252000	Flame Proof C. Resistor	470 1/4 J	不 燃 化 力 - ボ ン 抵 抗			01
R259	V6252000	Flame Proof C. Resistor	470 1/4 J	不 燃 化 力 - ボ ン 抵 抗			01
R260	VZ008800	Flame Proof C. Resistor	22.0 1/4 J	不 燃 化 力 - ボ ン 抵 抗			01
-265	VZ008800	Flame Proof C. Resistor	22.0 1/4 J	不 燃 化 力 - ボ ン 抵 抗			01
R266	V4833200	Wire Wound Resistor	0.22 5W K	セ メ ン ト 抵 抗			01
R267	V4833200	Wire Wound Resistor	0.22 5W K	セ メ ン ト 抵 抗			01
R268	VZ008800	Flame Proof C. Resistor	22.0 1/4 J	不 燃 化 力 - ボ ン 抵 抗			01
-271	VZ008800	Flame Proof C. Resistor	22.0 1/4 J	不 燃 化 力 - ボ ン 抵 抗			01
R272	V4833200	Wire Wound Resistor	0.22 5W K	セ メ ン ト 抵 抗			01
R273	V4833200	Wire Wound Resistor	0.22 5W K	セ メ ン ト 抵 抗			01
R274	VZ008800	Flame Proof C. Resistor	22.0 1/4 J	不 燃 化 力 - ボ ン 抵 抗			01
-277	VZ008800	Flame Proof C. Resistor	22.0 1/4 J	不 燃 化 力 - ボ ン 抵 抗			01
R278	V4833200	Wire Wound Resistor	0.22 5W K	セ メ ン ト 抵 抗			01
R279	V4833200	Wire Wound Resistor	0.22 5W K	セ メ ン ト 抵 抗			01
R280	VZ008800	Flame Proof C. Resistor	22.0 1/4 J	不 燃 化 力 - ボ ン 抵 抗			01
-283	VZ008800	Flame Proof C. Resistor	22.0 1/4 J	不 燃 化 力 - ボ ン 抵 抗			01
R284	V4833200	Wire Wound Resistor	0.22 5W K	セ メ ン ト 抵 抗			01
R285	V4833200	Wire Wound Resistor	0.22 5W K	セ メ ン ト 抵 抗			01
R286	VZ008800	Flame Proof C. Resistor	22.0 1/4 J	不 燃 化 力 - ボ ン 抵 抗			01
-289	VZ008800	Flame Proof C. Resistor	22.0 1/4 J	不 燃 化 力 - ボ ン 抵 抗			01
R290	V4833200	Wire Wound Resistor	0.22 5W K	セ メ ン ト 抵 抗			01
R291	V4833200	Wire Wound Resistor	0.22 5W K	セ メ ン ト 抵 抗			01
R292	VZ008800	Flame Proof C. Resistor	22.0 1/4 J	不 燃 化 力 - ボ ン 抵 抗			01
-295	VZ008800	Flame Proof C. Resistor	22.0 1/4 J	不 燃 化 力 - ボ ン 抵 抗			01
R296	V4833200	Wire Wound Resistor	0.22 5W K	セ メ ン ト 抵 抗			01
R297	V4833200	Wire Wound Resistor	0.22 5W K	セ メ ン ト 抵 抗			01
R298	VZ008800	Flame Proof C. Resistor	22.0 1/4 J	不 燃 化 力 - ボ ン 抵 抗			01
-301	VZ008800	Flame Proof C. Resistor	22.0 1/4 J	不 燃 化 力 - ボ ン 抵 抗			01
R302	V4833200	Wire Wound Resistor	0.22 5W K	セ メ ン ト 抵 抗			01
R303	V4833200	Wire Wound Resistor	0.22 5W K	セ メ ン ト 抵 抗			01
R304	HF456560	Carbon Resistor	5.6K 1/4 J	力 - ボ ン 抵 抗			01
R305	HF456560	Carbon Resistor	5.6K 1/4 J	力 - ボ ン 抵 抗			01

*: New Parts

RANK: Japan only

REF NO.	PART NO.	DESCRIPTION	部 品 名	REMARKS	QTY	RANK
R306	VZ008800	Flame Proof C. Resistor	22.0 1/4 J	不燃化カーボン抵抗		01
R307	VZ008700	Flame Proof C. Resistor	2.2K 1/4 J	不燃化カーボン抵抗		01
R308	VZ008700	Flame Proof C. Resistor	2.2K 1/4 J	不燃化カーボン抵抗		01
R309	VZ008800	Flame Proof C. Resistor	22.0 1/4 J	不燃化カーボン抵抗		01
R310	VZ008600	Flame Proof C. Resistor	150.0 1/4 J	不燃化カーボン抵抗		01
R311	VZ008600	Flame Proof C. Resistor	150.0 1/4 J	不燃化カーボン抵抗		01
R312	VV557800	Flame Proof C. Resistor	1.0 1/4 J	不燃化カーボン抵抗		01
R313	VV557800	Flame Proof C. Resistor	1.0 1/4 J	不燃化カーボン抵抗		01
R314	VZ370200	Wire Wound Resistor	0.1 5W K	セメント抵抗		01
R315	VV276700	Flame Proof C. Resistor	4.7 1/4 J	不燃化カーボン抵抗		01
R316	VZ370200	Wire Wound Resistor	0.1 5W K	セメント抵抗		01
R317	VV557800	Flame Proof C. Resistor	1.0 1/4 J	不燃化カーボン抵抗		01
R318	VV557800	Flame Proof C. Resistor	1.0 1/4 J	不燃化カーボン抵抗		01
R319	VZ370200	Wire Wound Resistor	0.1 5W K	セメント抵抗		01
R320	VV557800	Flame Proof C. Resistor	1.0 1/4 J	不燃化カーボン抵抗		01
R321	VZ370200	Wire Wound Resistor	0.1 5W K	セメント抵抗		01
R322	VV557800	Flame Proof C. Resistor	1.0 1/4 J	不燃化カーボン抵抗		01
R323	VV557800	Flame Proof C. Resistor	1.0 1/4 J	不燃化カーボン抵抗		01
R324	VV557800	Flame Proof C. Resistor	1.0 1/4 J	不燃化カーボン抵抗		01
R325	VZ370200	Wire Wound Resistor	0.1 5W K	セメント抵抗		01
R326	VZ370200	Wire Wound Resistor	0.1 5W K	セメント抵抗		01
R327	VV058500	Flame Proof C. Resistor	10.0 1/4 J	不燃化カーボン抵抗		01
R328	VV058500	Flame Proof C. Resistor	10.0 1/4 J	不燃化カーボン抵抗		01
R329	VZ009300	Flame Proof C. Resistor	330.0 1/4 J	不燃化カーボン抵抗		01
* R330	V8148300	Metal Oxide Film Resistor	4.7K 2W J	サンキン抵抗		01
R331	VZ009300	Flame Proof C. Resistor	330.0 1/4 J	不燃化カーボン抵抗		01
R332	VV276800	Flame Proof C. Resistor	100 1/4 J	不燃化カーボン抵抗		01
* R333	V8148300	Metal Oxide Film Resistor	4.7K 2W J	サンキン抵抗		01
R334	HF454220	Carbon Resistor	22.0 1/4 J	カーボン抵抗		01
R335	VV058500	Flame Proof C. Resistor	10.0 1/4 J	不燃化カーボン抵抗		01
R336	VV313800	Flame Proof C. Resistor	220.0 1/4 J	不燃化カーボン抵抗		01
* R337	V8148300	Metal Oxide Film Resistor	4.7K 2W J	サンキン抵抗		01
R338	V6252000	Flame Proof C. Resistor	470 1/4 J	不燃化カーボン抵抗		01
R339	VV058500	Flame Proof C. Resistor	10.0 1/4 J	不燃化カーボン抵抗		01
R340	VV058500	Flame Proof C. Resistor	10.0 1/4 J	不燃化カーボン抵抗		01
R341	VV276700	Flame Proof C. Resistor	4.7 1/4 J	不燃化カーボン抵抗		01
R342	VV058500	Flame Proof C. Resistor	10.0 1/4 J	不燃化カーボン抵抗		01
-345	VV058500	Flame Proof C. Resistor	10.0 1/4 J	不燃化カーボン抵抗		01
R346	VV313900	Flame Proof C. Resistor	680.0 1/4 J	不燃化カーボン抵抗		01
R347	VV313900	Flame Proof C. Resistor	680.0 1/4 J	不燃化カーボン抵抗		01
R348	VV276700	Flame Proof C. Resistor	4.7 1/4 J	不燃化カーボン抵抗		01
R350	HF455220	Carbon Resistor	220.0 1/4 J	カーボン抵抗		01
R351	HF455220	Carbon Resistor	220.0 1/4 J	カーボン抵抗		01
R352	HF457120	Carbon Resistor	12.0K 1/4 J	カーボン抵抗		01
R353	HF455130	Carbon Resistor	130.0 1/4 J	カーボン抵抗		01
* R354	HF455160	Carbon Resistor	160.0 1/4 J	カーボン抵抗		01
RY201	V8245600	Relay	DC ATX203	リレー		04
VR201	VZ352000	Trimmer Potentiometer	B 500 3P	半固定VR	IDRING ADJUSTMENT	01
VR202	VZ352000	Trimmer Potentiometer	B 500 3P	半固定VR	IDRING ADJUSTMENT	01
VR203	VA787300	Trimmer Potentiometer	B 220 3P RHEOA	半固定VR	OFFSET ADJUSTMENT	01
W201	--	Connector Assembly	B+	束線	(V841040)	
W202	--	Connector Assembly	G	束線	(V841050)	
W203	--	Connector Assembly	B-	束線	(V841060)	
W204	--	Connector Assembly	OU	束線	(V893190)	
*	V8482000	Circuit Board	PS10J	シート PS10J	J (X2348C0)	
*	V8482100	Circuit Board	PS10U	シート PS10U	U,V (X2348C0)	
*	V8482200	Circuit Board	PS10H	シート PS10H	H,W,B,K (X2348C0)	
*	V8482300	Circuit Board	PS10A	シート PS10A	A (X2348C0)	
*	WA012700	Cord Holder	250	インシュロックタイ		
	EG330380	Bind Head Screw	3.0X10 MFZN2BL	+ バインド小ネジ		01
	V8929200	Fuse Holder	CQ-205SPP	ヒューズホルダ	J,U,V	
	VV319600	Fuse Holder	CQ-05CT	ヒューズホルダ	H,W,B,A,K	01
	--	Insulation Sheet	TBM51W T=0.15	放熱シート		(V874710)
	--	Connector Assembly	AE	束線		(V893080)
	--	H/C-A Assembly		H / C - A A s s ' y		(V924500)
	--	H/C-B Assembly		H / C - B A s s ' y		(V924510)
	--	H/C-C Assembly		H / C - C A s s ' y		(V924520)
△ * C101	V8638200	Capacitor	1.0 275V U.C.S	規格認定コン		03
C103	VV062800	Mylar Capacitor	0.1 50V J	マイラコン		01

*: New Parts

RANK: Japan only

REF NO.	PART NO.	DESCRIPTION	部 品 名	REMARKS	QTY	RANK
C104	UA952470	Mylar Capacitor	470P 50V J	マイラ - コン		01
C105	UR857100	Electrolytic Cap.	10.00 35.0V	ケ ミ コン		01
C106	UA952470	Mylar Capacitor	470P 50V J	マイラ - コン		01
C107	UA952470	Mylar Capacitor	470P 50V J	マイラ - コン		01
C108	VZ352800	Ceramic Capacitor-SL	22P 50V J	セラコン (S L)		01
* C110	V8638200	Capacitor	1.0 275V U.C.S	規 格 認 定 コン		03
C111	UR857100	Electrolytic Cap.	10.00 35.0V	ケ ミ コン		01
C112	UR828470	Electrolytic Cap.	470.00 10.0V	ケ ミ コン		01
⚠ C113	V6185400	Capacitor	3300P 400V J.U.C.S	規 格 認 定 コン		01
⚠ C114	V6185400	Capacitor	3300P 400V J.U.C.S	規 格 認 定 コン		01
C115	UR838100	Electrolytic Cap.	100.00 16.0V	ケ ミ コン		01
C116	UR838100	Electrolytic Cap.	100.00 16.0V	ケ ミ コン		01
⚠ * C117	V8638200	Capacitor	1.0 275V U.C.S	規 格 認 定 コン		03
C118	VZ352800	Ceramic Capacitor-SL	22P 50V J	セラコン (S L)		01
C119	VZ352800	Ceramic Capacitor-SL	22P 50V J	セラコン (S L)		01
C120	VZ354000	Ceramic Capacitor-F	0.0100 50V Z	セラコン F		01
C121	VZ354000	Ceramic Capacitor-F	0.0100 50V Z	セラコン F		01
C122	UR857100	Electrolytic Cap.	10.00 35.0V	ケ ミ コン		01
C123	UR857100	Electrolytic Cap.	10.00 35.0V	ケ ミ コン		01
C124	V8499100	Electrolytic Cap.	2200 200V	ケ ミ コン		09
-127	V8499100	Electrolytic Cap.	2200 200V	ケ ミ コン		09
C128	VZ352800	Ceramic Capacitor-SL	22P 50V J	セラコン (S L)		01
C129	V8499100	Electrolytic Cap.	2200 200V	ケ ミ コン		09
-132	V8499100	Electrolytic Cap.	2200 200V	ケ ミ コン		09
C133	VZ352800	Ceramic Capacitor-SL	22P 50V J	セラコン (S L)		01
C134	UR857100	Electrolytic Cap.	10.00 35.0V	ケ ミ コン		01
C135	UR857100	Electrolytic Cap.	10.00 35.0V	ケ ミ コン		01
C136	VV062800	Mylar Capacitor	0.1 50V J	マイラ - コン		01
C137	VV062800	Mylar Capacitor	0.1 50V J	マイラ - コン		01
C138	VZ354000	Ceramic Capacitor-F	0.0100 50V Z	セラコン F		01
C139	VZ354000	Ceramic Capacitor-F	0.0100 50V Z	セラコン F		01
C140	V9136100	Polypropylene Capacitor	1.2000 250V J	P P コン	J	
C140	V9135800	Polypropylene Capacitor	1.0000 250V J	P P コン	U,V,H,W,B,K,A	
C141	V9136100	Polypropylene Capacitor	1.2000 250V J	P P コン	J	
C141	V9135800	Polypropylene Capacitor	1.0000 250V J	P P コン	U,V,H,W,B,K,A	
* C142	V8811100	Electrolytic Cap.-PW	10 25.0V	ケ ミ コン P W		01
* C143	V8811100	Electrolytic Cap.-PW	10 25.0V	ケ ミ コン P W		01
* C155	V9982700	Electrolytic Cap.-VK	10000 16.0V	ケ ミ コン V K		
C156	UR858470	Electrolytic Cap.	470.00 35.0V	ケ ミ コン		01
C157	UR858470	Electrolytic Cap.	470.00 35.0V	ケ ミ コン		01
C158	UR857100	Electrolytic Cap.	10.00 35.0V	ケ ミ コン		01
-160	UR857100	Electrolytic Cap.	10.00 35.0V	ケ ミ コン		01
* C161	V9982400	Electrolytic Cap.-PW	100 50.0V	ケ ミ コン P W		
* C162	V8740200	Electrolytic Cap.-GU	560.00 200.0V	ケ ミ コン G U		06
* -165	V8740200	Electrolytic Cap.-GU	560.00 200.0V	ケ ミ コン G U		06
C166	UR867470	Electrolytic Cap.	47.00 50.0V	ケ ミ コン		01
C167	UR857100	Electrolytic Cap.	10.00 35.0V	ケ ミ コン		01
-169	UR857100	Electrolytic Cap.	10.00 35.0V	ケ ミ コン		01
C170	V8500200	Electrolytic Cap.-PW	470 50.0V	ケ ミ コン P W		03
C171	V8500200	Electrolytic Cap.-PW	470 50.0V	ケ ミ コン P W		03
* C172	V8740200	Electrolytic Cap.-GU	560.00 200.0V	ケ ミ コン G U		06
* -175	V8740200	Electrolytic Cap.-GU	560.00 200.0V	ケ ミ コン G U		06
C176	UR867470	Electrolytic Cap.	47.00 50.0V	ケ ミ コン		01
C177	UR867470	Electrolytic Cap.	47.00 50.0V	ケ ミ コン		01
C178	UR857100	Electrolytic Cap.	10.00 35.0V	ケ ミ コン		01
C179	UR857100	Electrolytic Cap.	10.00 35.0V	ケ ミ コン		01
C180	UR866470	Electrolytic Cap.	4.70 50.0V	ケ ミ コン		01
⚠ C185	V6113500	Capacitor	1000P 400V J.U.C.S	規 格 認 定 コン		
CN101	LB932040	Base Post Connector	VH- 4P TE	ベースポスト		01
CN102	VV066900	Connector Base Post	M2426XX 9P TE	コネクタベースポスト		01
CN103	VV066200	Connector Base Post	M2426XX 2P TE	コネクタベースポスト		01
CN104	VV066200	Connector Base Post	M2426XX 2P TE	コネクタベースポスト		01
CN105	VZ005700	Fasten Terminal	TP82223-22	ファストン端子		01
-112	VZ005700	Fasten Terminal	TP82223-22	ファストン端子		01
⚠ D101	VR149900	Diode Stack	D25XB60 25.0A 600V	ダイオードスタック		06
⚠ D102	VR149900	Diode Stack	D25XB60 25.0A 600V	ダイオードスタック		06
* D103	V8629800	Diode	AG01A WS	ダイオード		01
D104	V8629800	Diode	AG01A WS	ダイオード		01
D105	VN478200	Diode	D1NL20U	ダイオード		01
-108	VN478200	Diode	D1NL20U	ダイオード		01

*: New Parts

RANK: Japan only

REF NO.	PART NO.	DESCRIPTION	部 品 名	REMARKS	QTY	RANK
* D109	V8629700	Diode	RL3A	ダイオード		02
* -112	V8629700	Diode	RL3A	ダイオード		02
D113	VU801600	Diode	1N4004L 26	ダイオード		01
-124	VU801600	Diode	1N4004L 26	ダイオード		01
D125	VN399500	Diode	FMU-36S 20.0A 600V	ダイオードスタック		05
D126	V8498700	Diode	FMU-36R 20.0A 600V	ダイオードスタック		04
D127	VN399500	Diode	FMU-36S 20.0A 600V	ダイオードスタック		05
D128	V8498700	Diode	FMU-36R 20.0A 600V	ダイオードスタック		04
D129	VN478200	Diode	D1NL20U	ダイオード		01
-134	VN478200	Diode	D1NL20U	ダイオード		01
D135	VU801600	Diode	1N4004L 26	ダイオード		01
-138	VU801600	Diode	1N4004L 26	ダイオード		01
D139	VN771700	Diode	D1NS4	ダイオード		01
D140	VN771700	Diode	D1NS4	ダイオード		01
D141	VG437700	Zener Diode	MTZ J 5.6B 5.6V	ツェナーダイオード		01
D142	VN478200	Diode	D1NL20U	ダイオード		01
D143	VN478200	Diode	D1NL20U	ダイオード		01
D144	VD631600	Diode	1SS133,176,HSS104	ダイオード		01
-147	VD631600	Diode	1SS133,176,HSS104	ダイオード		01
△* F101	V8932000	Fuse	25.00A JU	ヒューズ	J	03
△* F101	V8932100	Fuse	20.00A JU	ヒューズ	U,V	03
△* F101	V5413700	Fuse	TH10.00A IEC	ヒューズ	H,W,B,K,A	01
△* F102	V8932000	Fuse	25.00A JU	ヒューズ	J	03
△* F102	V8932100	Fuse	20.00A JU	ヒューズ	U,V	03
△* F102	V5413700	Fuse	TH10.00A IEC	ヒューズ	H,W,B,K,A	01
* IC101	X2383A00	IC	SG3525AN	I C	REGULATOR	03
* IC103	X2382A00	IC	IR2110	I C	DRIVER	06
* IC104	X2382A00	IC	IR2110	I C	DRIVER	06
IC105	XD853A00	IC	NJM7815FA	I C	REGULATOR +15V	03
IC106	XD854A00	IC	NJM7915FA	I C	REGULATOR -15V	03
IC107	XJ607A00	IC	NJM7805FA	I C	REGULATOR +5V	02
IC108	XD853A00	IC	NJM7815FA	I C	REGULATOR +15V	03
IC109	XD853A00	IC	NJM7815FA	I C	REGULATOR +15V	03
* J101	V8720900	Bus bar	PC	バスバ	J,U,V	
* -107	V8720900	Bus bar	PC	バスバ	J,U,V	
△ JK101	V5817000	AC Inlet	HF-301L	A C インレット	3 P U,V,H,W,B,K,A	
K101	VZ703700	GND Plate		G N D 金 具		01
△ L101	V8740400	Coil	SC-15-10JH	コイル	J,U,V	
△ L101	V8929300	Coil	SC-10-20JH	コイル	H,W,B,K,A	
△ L102	V8740400	Coil	SC-15-10JH	コイル	J,U,V	
△ L102	V9708500	Coil	FY10502MREZ	コイル	H,W,B,K	10
△ L102	V8929300	Coil	SC-10-20JH	コイル	A	
L103	VR929200	Coil	LH L 08TB100K 10UH	コイル 1 0 U H		01
-108	VR929200	Coil	LH L 08TB100K 10UH	コイル 1 0 U H		01
PH101	V8100500	Photo Coupler	TLP421 GR	フォトカブラ		01
PR101	VL965100	Positive Thermistor	PTH9M04BE222TS2	ポジスタ		04
PR102	VL965100	Positive Thermistor	PTH9M04BE222TS2	ポジスタ		04
Q101	V2797700	Transistor	2SC5395 E,F	トランジスタ		01
Q102	V2797700	Transistor	2SC5395 E,F	トランジスタ		01
Q103	V2797600	Transistor	2SA1993 E,F	トランジスタ		01
Q104	V2797600	Transistor	2SA1993 E,F	トランジスタ		01
Q105	VD678700	Digital Transistor	DTC114ES	デジタルトランジスタ		01
* Q106	V8629500	Transistor	IRG4PC50U	I G B T		
* Q107	V8629500	Transistor	IRG4PC50U	I G B T		
Q108	VD678700	Digital Transistor	DTC114ES	デジタルトランジスタ		01
Q109	VD678500	Digital Transistor	DTA114ES	デジタルトランジスタ		01
Q110	VD678500	Digital Transistor	DTA114ES	デジタルトランジスタ		01
Q111	VD678700	Digital Transistor	DTC114ES	デジタルトランジスタ		01
Q112	VD678700	Digital Transistor	DTC114ES	デジタルトランジスタ		01
* Q113	V8629500	Transistor	IRG4PC50U	I G B T		
* Q114	V8629500	Transistor	IRG4PC50U	I G B T		
Q115	V2797700	Transistor	2SC5395 E,F	トランジスタ		01
Q116	V2797600	Transistor	2SA1993 E,F	トランジスタ		01
Q117	VS883300	Transistor	2SB1565 E,F	トランジスタ		02
Q118	V1242900	Transistor	2SA1020-Y(TPE6) Y	トランジスタ		01
Q119	V2797700	Transistor	2SC5395 E,F	トランジスタ		01
R101	HF457100	Carbon Resistor	10.0K 1/4 J	カーボン抵抗		01
R102	HF458200	Carbon Resistor	200.0K 1/4 J	カーボン抵抗		01
R103	VV065700	Metal Film Resistor	18K 1/4 F	金属被膜抵抗		
R104	HF458200	Carbon Resistor	200.0K 1/4 J	カーボン抵抗		01

*: New Parts

RANK: Japan only

REF NO.	PART NO.	DESCRIPTION	部 品 名	REMARKS	QTY	RANK
R105	HF455560	Carbon Resistor	560.0 1/4 J	力 - ボ ン 抵 抗		01
R106	HF455560	Carbon Resistor	560.0 1/4 J	力 - ボ ン 抵 抗		01
R107	HF455330	Carbon Resistor	330.0 1/4 J	力 - ボ ン 抵 抗		01
R108	HF455560	Carbon Resistor	560.0 1/4 J	力 - ボ ン 抵 抗		01
R109	HF455560	Carbon Resistor	560.0 1/4 J	力 - ボ ン 抵 抗		01
R110	HF458200	Carbon Resistor	200.0K 1/4 J	力 - ボ ン 抵 抗		01
R111	HF458100	Carbon Resistor	100.0K 1/4 J	力 - ボ ン 抵 抗		01
R112	HF458100	Carbon Resistor	100.0K 1/4 J	力 - ボ ン 抵 抗		01
R113	HF458120	Carbon Resistor	120.0K 1/4 J	力 - ボ ン 抵 抗		01
R114	HF458120	Carbon Resistor	120.0K 1/4 J	力 - ボ ン 抵 抗		01
⚠	R115	HF458240	Carbon Resistor	240.0K 1/4 J	力 - ボ ン 抵 抗	01
⚠	R116	HF458240	Carbon Resistor	240.0K 1/4 J	力 - ボ ン 抵 抗	01
	R117	HF457220	Carbon Resistor	22.0K 1/4 J	力 - ボ ン 抵 抗	01
	R118	HF456470	Carbon Resistor	4.7K 1/4 J	力 - ボ ン 抵 抗	01
	R119	HF457220	Carbon Resistor	22.0K 1/4 J	力 - ボ ン 抵 抗	01
	R120	HF456470	Carbon Resistor	4.7K 1/4 J	力 - ボ ン 抵 抗	01
	R121	HF457100	Carbon Resistor	10.0K 1/4 J	力 - ボ ン 抵 抗	01
	-124	HF457100	Carbon Resistor	10.0K 1/4 J	力 - ボ ン 抵 抗	01
	R125	HF456470	Carbon Resistor	4.7K 1/4 J	力 - ボ ン 抵 抗	01
	R126	HF457220	Carbon Resistor	22.0K 1/4 J	力 - ボ ン 抵 抗	01
	R127	HF456470	Carbon Resistor	4.7K 1/4 J	力 - ボ ン 抵 抗	01
	R128	HF457220	Carbon Resistor	22.0K 1/4 J	力 - ボ ン 抵 抗	01
⚠ *	R129	VN067400	Wire Wound Resistor	セ メ ン ト 抵 抗		03
*	R130	V9814800	Metal Oxide Film Resistor	サ ン キ ン 抵 抗		
*	R132	V9814800	Metal Oxide Film Resistor	サ ン キ ン 抵 抗		
*	R134	V9814800	Metal Oxide Film Resistor	サ ン キ ン 抵 抗		
	R136	V9814800	Metal Oxide Film Resistor	サ ン キ ン 抵 抗		
	R138	VV276700	Flame Proof C. Resistor	不 燃 化 力 - ボ ン 抵 抗		01
	R139	VV276700	Flame Proof C. Resistor	不 燃 化 力 - ボ ン 抵 抗		01
	R140	VV058500	Flame Proof C. Resistor	不 燃 化 力 - ボ ン 抵 抗		01
	-143	VV058500	Flame Proof C. Resistor	不 燃 化 力 - ボ ン 抵 抗		01
	R144	HF456330	Carbon Resistor	力 - ボ ン 抵 抗		01
	R145	HF456330	Carbon Resistor	力 - ボ ン 抵 抗		01
	R146	HF456470	Carbon Resistor	力 - ボ ン 抵 抗		01
	R147	HF456470	Carbon Resistor	力 - ボ ン 抵 抗		01
	R148	VZ370200	Wire Wound Resistor	セ メ ン ト 抵 抗		01
	-153	VZ370200	Wire Wound Resistor	セ メ ン ト 抵 抗		01
	R154	HF453680	Carbon Resistor	力 - ボ ン 抵 抗		01
	R155	HF457220	Carbon Resistor	力 - ボ ン 抵 抗		01
	R156	VZ370200	Wire Wound Resistor	セ メ ン ト 抵 抗		01
	R157	HF458100	Carbon Resistor	力 - ボ ン 抵 抗		01
	R158	HF458100	Carbon Resistor	力 - ボ ン 抵 抗		01
	R159	VZ370200	Wire Wound Resistor	セ メ ン ト 抵 抗		01
	R160	HF457820	Carbon Resistor	力 - ボ ン 抵 抗		01
	R161	HF456820	Carbon Resistor	力 - ボ ン 抵 抗		01
	R162	HF456820	Carbon Resistor	力 - ボ ン 抵 抗		01
	R163	HF455220	Carbon Resistor	力 - ボ ン 抵 抗		01
	R164	HF456330	Carbon Resistor	力 - ボ ン 抵 抗		01
	R165	HF456130	Carbon Resistor	力 - ボ ン 抵 抗		01
	R166	VV313600	Flame Proof C. Resistor	不 燃 化 力 - ボ ン 抵 抗		01
	R167	VV313600	Flame Proof C. Resistor	不 燃 化 力 - ボ ン 抵 抗		01
*	R168	HF455300	Carbon Resistor	力 - ボ ン 抵 抗		01
	R169	HF458200	Carbon Resistor	力 - ボ ン 抵 抗		01
	R170	HF456470	Carbon Resistor	力 - ボ ン 抵 抗		01
	R171	HF456470	Carbon Resistor	力 - ボ ン 抵 抗		01
⚠	R172	VN067400	Wire Wound Resistor	セ メ ン ト 抵 抗		03
	R173	VV313600	Flame Proof C. Resistor	不 燃 化 力 - ボ ン 抵 抗		01
⚠ *	RY101	V8755500	Relay	リ レ		09
⚠	SW101	VY898100	Push Switch	SDDFA3107U-YL UCS	POWER SWITCH	05
⚠ *	T101	X2384A00	Power Transformer	J A		06
⚠ *	T101	X2385A00	Power Transformer	U A		06
⚠ *	T101	X2386A00	Power Transformer	CE A		06
⚠ *	T101	X2387A00	Power Transformer	A A		06
⚠ *	T102	X2388A00	Power Transformer	J A		07
⚠ *	T102	X2389A00	Power Transformer	U A		07
⚠ *	T102	X2390A00	Power Transformer	CE A		07
⚠ *	T102	X2391A00	Power Transformer	A A		07
⚠ *	T103	X2392A00	Power Transformer			09
⚠ *	T103	X2393A00	Power Transformer	UA		09
⚠ *	T103	X2394A00	Power Transformer	CE		09

*: New Parts

RANK: Japan only

ELECTRICAL PARTS PC4800N(PC4800N 電気部品)

REF NO.	PART NO.	DESCRIPTION	部 品 名	REMARKS	QTY	RANK
		ELECTRICAL PARTS	電 気 部 品	PC4800N		
*	AAX39260	Circuit Board	シ ー ト I N 5 1 / 5	(X2073C0)		
*	AAX39270	Circuit Board	シ ー ト I N 5 2 / 5	(X2073C0)		
*	AAX39280	Circuit Board	シ ー ト I N 5 3 / 5	(X2073C0)		
*	AAX39290	Circuit Board	シ ー ト I N 5 4 / 5	(X2073C0)		
*	AAX39300	Circuit Board	シ ー ト I N 5 5 / 5	(X2073C0)		
*	--	Circuit Board	PA5	(V848150)(X2074C0)		
*	V8482500	Circuit Board	PS5J	J	(X2349C0)	
*	V8482600	Circuit Board	PS5U	U,V	(X2349C0)	
*	V8482700	Circuit Board	PS5H	H,W,B,K	(X2349C0)	
*	V8482800	Circuit Board	PS5A	A	(X2349C0)	
	--	Circuit Board	シ ー ト I N 5	(V848180,X2073C0)		
*	AAX39260	Circuit Board	シ ー ト I N 5 1 / 5	(X2073C0)		
*	AAX39270	Circuit Board	シ ー ト I N 5 2 / 5	(X2073C0)		
*	AAX39280	Circuit Board	シ ー ト I N 5 3 / 5	(X2073C0)		
*	AAX39290	Circuit Board	シ ー ト I N 5 4 / 5	(X2073C0)		
*	AAX39300	Circuit Board	シ ー ト I N 5 5 / 5	(X2073C0)		
C401	UX064100	Ceramic Capacitor (Chip)	0.0100 50V K	チ ッ プ セ ラ		01
-405	UX064100	Ceramic Capacitor (Chip)	0.0100 50V K	チ ッ プ セ ラ		01
C406	UR847100	Electrolytic Cap.	10.00 25.0V	ケ ミ コ ン		01
C407	UX064100	Ceramic Capacitor (Chip)	0.0100 50V K	チ ッ プ セ ラ		01
-411	UX064100	Ceramic Capacitor (Chip)	0.0100 50V K	チ ッ プ セ ラ		01
C412	UX061220	Ceramic Capacitor (Chip)	22P 50V J	チ ッ プ セ ラ		01
C413	UX061220	Ceramic Capacitor (Chip)	22P 50V J	チ ッ プ セ ラ		01
C414	UX064100	Ceramic Capacitor (Chip)	0.0100 50V K	チ ッ プ セ ラ		01
C415	UX064100	Ceramic Capacitor (Chip)	0.0100 50V K	チ ッ プ セ ラ		01
C416	UX061220	Ceramic Capacitor (Chip)	22P 50V J	チ ッ プ セ ラ		01
C417	UX061220	Ceramic Capacitor (Chip)	22P 50V J	チ ッ プ セ ラ		01
C418	UX064100	Ceramic Capacitor (Chip)	0.0100 50V K	チ ッ プ セ ラ		01
C419	UX064100	Ceramic Capacitor (Chip)	0.0100 50V K	チ ッ プ セ ラ		01
C420	UX061560	Ceramic Capacitor (Chip)	56P 50V J	チ ッ プ セ ラ		01
-423	UX061560	Ceramic Capacitor (Chip)	56P 50V J	チ ッ プ セ ラ		01
C424	UR847100	Electrolytic Cap.	10.00 25.0V	ケ ミ コ ン		01
C425	V5868900	Mylar Capacitor	0.1 50V J	マ イ ラ - コ ン		
-428	V5868900	Mylar Capacitor	0.1 50V J	マ イ ラ - コ ン		
C429	UX061560	Ceramic Capacitor (Chip)	56P 50V J	チ ッ プ セ ラ		01
C430	UX061560	Ceramic Capacitor (Chip)	56P 50V J	チ ッ プ セ ラ		01
C431	UR866470	Electrolytic Cap.	4.70 50.0V	ケ ミ コ ン		01
-434	UR866470	Electrolytic Cap.	4.70 50.0V	ケ ミ コ ン		01
C435	UX064100	Ceramic Capacitor (Chip)	0.0100 50V K	チ ッ プ セ ラ		01
C436	UR847220	Electrolytic Cap.	22.00 25.0V	ケ ミ コ ン		01
C437	UX064100	Ceramic Capacitor (Chip)	0.0100 50V K	チ ッ プ セ ラ		01
C438	UR847220	Electrolytic Cap.	22.00 25.0V	ケ ミ コ ン		01
C439	UX061100	Ceramic Capacitor (Chip)	10P 50V D	チ ッ プ セ ラ		01
C440	V6638400	Electrolytic Cap.	22.00 25.0V	ケ ミ コ ン F X		02
C441	V6638400	Electrolytic Cap.	22.00 25.0V	ケ ミ コ ン F X		02
C442	UR866470	Electrolytic Cap.	4.70 50.0V	ケ ミ コ ン		01
C443	UR866470	Electrolytic Cap.	4.70 50.0V	ケ ミ コ ン		01
C444	UX063220	Ceramic Capacitor (Chip)	2200P 50V K	チ ッ プ セ ラ		01
C445	UX063220	Ceramic Capacitor (Chip)	2200P 50V K	チ ッ プ セ ラ		01
C601	UR848220	Electrolytic Cap.	220.00 25.0V	ケ ミ コ ン		01
C602	VZ004200	Mylar Capacitor	0.1000 100V M	フ ィ ル ム コ ン		01
-605	VZ004200	Mylar Capacitor	0.1000 100V M	フ ィ ル ム コ ン		01
C606	UR866100	Electrolytic Cap.	1.00 50.0V	ケ ミ コ ン		01
C607	UR848100	Electrolytic Cap.	100.00 25.0V	ケ ミ コ ン		01
C608	VZ012200	Ceramic Capacitor-B	0.001 500V K	セ ラ コ ン B		01
-611	VZ012200	Ceramic Capacitor-B	0.001 500V K	セ ラ コ ン B		01
C612	UX063100	Ceramic Capacitor (Chip)	1000P 50V K	チ ッ プ セ ラ		01
C613	UR866100	Electrolytic Cap.	1.00 50.0V	ケ ミ コ ン		01
C614	VV314600	Ceramic Capacitor-B	0.0022 500V K	セ ラ コ ン B		01
C615	VV314600	Ceramic Capacitor-B	0.0022 500V K	セ ラ コ ン B		01
C616	UX063100	Ceramic Capacitor (Chip)	1000P 50V K	チ ッ プ セ ラ		01
C617	UR847100	Electrolytic Cap.	10.00 25.0V	ケ ミ コ ン		01
C618	UR847100	Electrolytic Cap.	10.00 25.0V	ケ ミ コ ン		01
C619	UX145100	Ceramic Capacitor (Chip)	0.1000 25V Z	チ ッ プ セ ラ		01
C620	UX064100	Ceramic Capacitor (Chip)	0.0100 50V K	チ ッ プ セ ラ		01
C621	UX064100	Ceramic Capacitor (Chip)	0.0100 50V K	チ ッ プ セ ラ		01
C622	UX145100	Ceramic Capacitor (Chip)	0.1000 25V Z	チ ッ プ セ ラ		01
C623	UX064100	Ceramic Capacitor (Chip)	0.0100 50V K	チ ッ プ セ ラ		01

*: New Parts

RANK: Japan only

REF NO.	PART NO.	DESCRIPTION		部 品 名	REMARKS	QTY	RANK
-627	UX064100	Ceramic Capacitor (Chip)	0.0100 50V K	チ ッ プ セ ラ			01
C628	UR848100	Electrolytic Cap.	100.00 25.0V	ケ ミ コ ン			01
C629	UR848100	Electrolytic Cap.	100.00 25.0V	ケ ミ コ ン			01
C630	UX064100	Ceramic Capacitor (Chip)	0.0100 50V K	チ ッ プ セ ラ			01
C631	UX064100	Ceramic Capacitor (Chip)	0.0100 50V K	チ ッ プ セ ラ			01
C632	UA953180	Mylar Capacitor	1800P 50V J	マ イ ラ - コ ン			01
C633	UA953180	Mylar Capacitor	1800P 50V J	マ イ ラ - コ ン			01
C634	UX064100	Ceramic Capacitor (Chip)	0.0100 50V K	チ ッ プ セ ラ			01
C635	UA954470	Mylar Capacitor	0.0470 50V J	マ イ ラ - コ ン			01
C636	UA954470	Mylar Capacitor	0.0470 50V J	マ イ ラ - コ ン			01
C637	UX064100	Ceramic Capacitor (Chip)	0.0100 50V K	チ ッ プ セ ラ			01
C638	UX064100	Ceramic Capacitor (Chip)	0.0100 50V K	チ ッ プ セ ラ			01
C639	UX063100	Ceramic Capacitor (Chip)	1000P 50V K	チ ッ プ セ ラ			01
C640	UR847470	Electrolytic Cap.	47.00 25.0V	ケ ミ コ ン			01
C641	UR847330	Electrolytic Cap.	33.00 25.0V	ケ ミ コ ン			01
C642	UR847330	Electrolytic Cap.	33.00 25.0V	ケ ミ コ ン			01
C643	UR866100	Electrolytic Cap.	1.00 50.0V	ケ ミ コ ン			01
C644	UR866100	Electrolytic Cap.	1.00 50.0V	ケ ミ コ ン			01
C645	UX062100	Ceramic Capacitor (Chip)	100P 50V J	チ ッ プ セ ラ			01
C646	UX062100	Ceramic Capacitor (Chip)	100P 50V J	チ ッ プ セ ラ			01
C647	UR847470	Electrolytic Cap.	47.00 25.0V	ケ ミ コ ン			01
C650	UX063100	Ceramic Capacitor (Chip)	1000P 50V K	チ ッ プ セ ラ			01
C701	UX064100	Ceramic Capacitor (Chip)	0.0100 50V K	チ ッ プ セ ラ			01
C702	UF046470	Electrolytic Cap. (chip)	4.7 25V	チ ッ プ ケ ミ コ ン			01
C703	UX064100	Ceramic Capacitor (Chip)	0.0100 50V K	チ ッ プ セ ラ			01
C704	UF046470	Electrolytic Cap. (chip)	4.7 25V	チ ッ プ ケ ミ コ ン			01
C705	UF046470	Electrolytic Cap. (chip)	4.7 25V	チ ッ プ ケ ミ コ ン			01
C706	UF066100	Electrolytic Cap. (chip)	1 50V	チ ッ プ ケ ミ コ ン			01
C707	UX064100	Ceramic Capacitor (Chip)	0.0100 50V K	チ ッ プ セ ラ			01
C708	UF046470	Electrolytic Cap. (chip)	4.7 25V	チ ッ プ ケ ミ コ ン			01
C709	UF046470	Electrolytic Cap. (chip)	4.7 25V	チ ッ プ ケ ミ コ ン			01
C710	UF066100	Electrolytic Cap. (chip)	1 50V	チ ッ プ ケ ミ コ ン			01
C801	UX061330	Ceramic Capacitor (Chip)	33P 50V J	チ ッ プ セ ラ			01
C802	UX061330	Ceramic Capacitor (Chip)	33P 50V J	チ ッ プ セ ラ			01
C803	UX145100	Ceramic Capacitor (Chip)	0.1000 25V Z	チ ッ プ セ ラ			01
C804	UX062470	Ceramic Capacitor (Chip)	470P 50V J	チ ッ プ セ ラ			01
C806	UR847470	Electrolytic Cap.	47.00 25.0V	ケ ミ コ ン			01
C807	UX145100	Ceramic Capacitor (Chip)	0.1000 25V Z	チ ッ プ セ ラ			01
-809	UX145100	Ceramic Capacitor (Chip)	0.1000 25V Z	チ ッ プ セ ラ			01
C810	UX062100	Ceramic Capacitor (Chip)	100P 50V J	チ ッ プ セ ラ			01
C811	UX145100	Ceramic Capacitor (Chip)	0.1000 25V Z	チ ッ プ セ ラ			01
C812	UX145100	Ceramic Capacitor (Chip)	0.1000 25V Z	チ ッ プ セ ラ			01
C813	UR847470	Electrolytic Cap.	47.00 25.0V	ケ ミ コ ン			01
C814	UX145100	Ceramic Capacitor (Chip)	0.1000 25V Z	チ ッ プ セ ラ			01
C815	UX063220	Ceramic Capacitor (Chip)	2200P 50V K	チ ッ プ セ ラ			01
-822	UX063220	Ceramic Capacitor (Chip)	2200P 50V K	チ ッ プ セ ラ			01
C823	UX145100	Ceramic Capacitor (Chip)	0.1000 25V Z	チ ッ プ セ ラ			01
-825	UX145100	Ceramic Capacitor (Chip)	0.1000 25V Z	チ ッ プ セ ラ			01
C826	UR847470	Electrolytic Cap.	47.00 25.0V	ケ ミ コ ン			01
C827	UX145100	Ceramic Capacitor (Chip)	0.1000 25V Z	チ ッ プ セ ラ			01
C828	UR847470	Electrolytic Cap.	47.00 25.0V	ケ ミ コ ン			01
C901	UX064100	Ceramic Capacitor (Chip)	0.0100 50V K	チ ッ プ セ ラ			01
-908	UX064100	Ceramic Capacitor (Chip)	0.0100 50V K	チ ッ プ セ ラ			01
C909	VV064600	Monolithic Mylar Capacitor	1.5 50V J	積 層 マ イ ラ - コ ン			01
C910	VV064600	Monolithic Mylar Capacitor	1.5 50V J	積 層 マ イ ラ - コ ン			01
C911	UX064100	Ceramic Capacitor (Chip)	0.0100 50V K	チ ッ プ セ ラ			01
-914	UX064100	Ceramic Capacitor (Chip)	0.0100 50V K	チ ッ プ セ ラ			01
C915	VV064500	Monolithic Mylar Capacitor	1.0 50V J	積 層 マ イ ラ - コ ン			03
-918	VV064500	Monolithic Mylar Capacitor	1.0 50V J	積 層 マ イ ラ - コ ン			03
C919	V4587500	Electrolytic Cap. -NK	10.00 25.0V	無 極 性 ケ ミ コ ン N K			01
C920	V4587500	Electrolytic Cap. -NK	10.00 25.0V	無 極 性 ケ ミ コ ン N K			01
CN401	VQ046400	Connector, FFC	52044 35P SE	F F C コ ネ ク タ ー			01
CN402	VQ048400	Connector, FFC	52045 35P TE	F F C コ ネ ク タ ー			01
CN403	VV066300	Connector Base Post	M2426XX 3P TE	コ ネ ク タ ベ ース ポ ス ト			01
CN404	VV066300	Connector Base Post	M2426XX 3P TE	コ ネ ク タ ベ ース ポ ス ト			01
CN405	VQ046600	Connector, FFC	52044 37P SE	F F C コ ネ ク タ ー			01
CN406	VV066700	Connector Base Post	M2426XX 7P TE	コ ネ ク タ ベ ース ポ ス ト			01
CN407	VV066700	Connector Base Post	M2426XX 7P TE	コ ネ ク タ ベ ース ポ ス ト			01
CN601	VV067100	Connector Base Post	M2426XX 11P TE	コ ネ ク タ ベ ース ポ ス ト			01
CN602	VV066900	Connector Base Post	M2426XX 9P TE	コ ネ ク タ ベ ース ポ ス ト			01

*: New Parts

RANK: Japan only

REF NO.	PART NO.	DESCRIPTION		部 品 名	REMARKS	QTY	RANK
CN603	VV066600	Connector Base Post	M2426XX 6P TE	コネクタベースポスト			01
CN604	VV066600	Connector Base Post	M2426XX 6P TE	コネクタベースポスト			01
CN605	VZ005700	Fasten Terminal	TP82223-22	ファストン端子			01
-608	VZ005700	Fasten Terminal	TP82223-22	ファストン端子			01
CN609	VV066200	Connector Base Post	M2426XX 2P TE	コネクタベースポスト			01
CN610	VV066200	Connector Base Post	M2426XX 2P TE	コネクタベースポスト			01
CN701	VV068500	Connector Base Post	M2426XXR 11P SE	コネクタベースポスト			01
CN801	VQ048600	Connector, FFC	52045 37P TE	FFC コネクタ			01
D401	VT332900	Diode	1SS355 TE-17	ダイオード			01
-411	VT332900	Diode	1SS355 TE-17	ダイオード			01
D601	VT332900	Diode	1SS355 TE-17	ダイオード			01
-603	VT332900	Diode	1SS355 TE-17	ダイオード			01
D605	VT332900	Diode	1SS355 TE-17	ダイオード			01
-615	VT332900	Diode	1SS355 TE-17	ダイオード			01
* D701	VU172900	Zener Diode	UDZS13B TE-17 13V	ツェナーダイオード			01
D702	VT332900	Diode	1SS355 TE-17	ダイオード			01
D705	VT332900	Diode	1SS355 TE-17	ダイオード			01
D801	VT332900	Diode	1SS355 TE-17	ダイオード			01
-816	VT332900	Diode	1SS355 TE-17	ダイオード			01
D901	VT332900	Diode	1SS355 TE-17	ダイオード			01
-912	VT332900	Diode	1SS355 TE-17	ダイオード			01
EM801	VV056900	Noise Filter	ZJSR5101-223TA	ノイズフィルタ EMI			01
IC401	XL669A00	IC	M5238AFP	I	C OP AMP		03
IC402	XJ553A00	IC	NJM2068MD-T1	I	C OP AMP		02
-407	XJ553A00	IC	NJM2068MD-T1	I	C OP AMP		02
* IC408	X2101A00	IC	TC9413AP	I	C VOLUME		06
IC601	IG103520	IC	NJM4558M(T1)	I	C OP AMP		03
-606	IG103520	IC	NJM4558M(T1)	I	C OP AMP		03
* IC701	X0654A00	IC	LB1409M	I	C LED DRIVE		05
* IC702	X0654A00	IC	LB1409M	I	C LED DRIVE		05
* IC801	X2263100	IC	HD6437042AF28	I	C CPU		06
* IC802	X2155A00	IC	DS36276M	I	C TRANSCEIVER		06
IC803	XP226A00	IC	IC-PST591DMT	I	C SYSTEM RESET		03
IC804	XY806A00	IC	TC7WH14FU	I	C INVERTER		02
IC901	XJ553A00	IC	NJM2068MD-T1	I	C OP AMP		02
-906	XJ553A00	IC	NJM2068MD-T1	I	C OP AMP		02
JK401	V9234300	XLM Connector	JACK NC3FBH1	キャノンコネクタ	INPUT A		06
JK402	V9234300	XLM Connector	JACK NC3FBH1	キャノンコネクタ	INPUT B		06
JK403	V4177800	Mini Lug Terminal	ME060-50806	ミニ端子台 6 P	INPUT		04
* JK801	V8244900	Modular Jack	52018-8845	モジュラージャック 8 P	DATA PORT2		04
* JK802	V8244900	Modular Jack	52018-8845	モジュラージャック 8 P	DATA PORT1		04
* K401	V9851800	Terminal Plate	PC	ターミナル金具			01
K601	VV075700	Terminal Plate		ターミナル金具			01
* L601	V8937400	Coil	RZ-001/SPR 21mm	空芯コイル 1.5 U			03
* L602	V8937400	Coil	RZ-001/SPR 21mm	空芯コイル 1.5 U			03
* L603	V8937500	Coil	RZ-001 7.5T	空芯コイル 0.5 uH			03
* L604	V8937500	Coil	RZ-001 7.5T	空芯コイル 0.5 uH			03
L802	VS740100	Chip Inductance	BLM21B751S 2125	チップインダクタ			03
L804	VS740100	Chip Inductance	BLM21B751S 2125	チップインダクタ			03
-838	VS740100	Chip Inductance	BLM21B751S 2125	チップインダクタ			03
* LD701	V8181400	LED Level Mater	DC-6G3Y1HWA	LEDレベルメーター			01
LD702	VV620800	LED	LT311G-41-C13 RE	L E D			01
LD703	VV620800	LED	LT311G-41-C13 RE	L E D			01
LD704	VV621000	LED	LT321-41-C13 GR	L E D			01
* LD705	V8181400	LED Level Mater	DC-6G3Y1HWA	LEDレベルメーター			02
LD706	VZ059800	LED	SLP-581D-37 RE/GR	2色LED			06
PH401	VP116000	Photo Coupler	P873-G35-552	フォトカブラ			06
PH402	VP116000	Photo Coupler	P873-G35-552	フォトカブラ			06
Q401	VV556500	Transistor	2SA1037AK Q,R,S	トランジスタ			01
Q402	VV556500	Transistor	2SA1037AK Q,R,S	トランジスタ			01
Q403	VV556400	Transistor	2SC2412K Q,R,S	トランジスタ			01
Q404	VV655000	Digital Transistor	DTA114EKA TP	デジタルトランジスタ			01
Q405	VV655400	Digital Transistor	DTC114EKA TP	デジタルトランジスタ			01
Q406	VV556500	Transistor	2SA1037AK Q,R,S	トランジスタ			01
Q407	VV556500	Transistor	2SA1037AK Q,R,S	トランジスタ			01
Q408	VV556400	Transistor	2SC2412K Q,R,S	トランジスタ			01
Q409	VV655000	Digital Transistor	DTA114EKA TP	デジタルトランジスタ			01
Q410	VV655400	Digital Transistor	DTC114EKA TP	デジタルトランジスタ			01
Q411	VV655000	Digital Transistor	DTA114EKA TP	デジタルトランジスタ			01
-413	VV655000	Digital Transistor	DTA114EKA TP	デジタルトランジスタ			01

*: New Parts

RANK: Japan only

REF NO.	PART NO.	DESCRIPTION	部 品 名	REMARKS	QTY	RANK
Q414	VV655400	Digital Transistor	DTC114EKA TP	デジタルトランジスタ		01
-416	VV655400	Digital Transistor	DTC114EKA TP	デジタルトランジスタ		01
Q417	VV655000	Digital Transistor	DTA114EKA TP	デジタルトランジスタ		01
Q418	VD303700	Transistor	2SC3326 A,B TE85R	トランジスタ		01
Q419	VV655400	Digital Transistor	DTC114EKA TP	デジタルトランジスタ		01
Q420	VD303700	Transistor	2SC3326 A,B TE85R	トランジスタ		01
Q421	VV655400	Digital Transistor	DTC114EKA TP	デジタルトランジスタ		01
Q422	VV655000	Digital Transistor	DTA114EKA TP	デジタルトランジスタ		01
Q423	VV655000	Digital Transistor	DTA114EKA TP	デジタルトランジスタ		01
Q601	VV655000	Digital Transistor	DTA114EKA TP	デジタルトランジスタ		01
Q602	VV655400	Digital Transistor	DTC114EKA TP	デジタルトランジスタ		01
Q603	VV556500	Transistor	2SA1037AK Q,R,S	トランジスタ		01
Q604	VV655000	Digital Transistor	DTA114EKA TP	デジタルトランジスタ		01
Q605	VV655400	Digital Transistor	DTC114EKA TP	デジタルトランジスタ		01
Q606	VV655400	Digital Transistor	DTC114EKA TP	デジタルトランジスタ		01
Q607	VV655000	Digital Transistor	DTA114EKA TP	デジタルトランジスタ		01
Q608	VV655000	Digital Transistor	DTA114EKA TP	デジタルトランジスタ		01
Q609	VV655400	Digital Transistor	DTC114EKA TP	デジタルトランジスタ		01
-613	VV655400	Digital Transistor	DTC114EKA TP	デジタルトランジスタ		01
Q614	VV556400	Transistor	2SC2412K Q,R,S	トランジスタ		01
Q615	VV556400	Transistor	2SC2412K Q,R,S	トランジスタ		01
Q616	VV655000	Digital Transistor	DTA114EKA TP	デジタルトランジスタ		01
Q617	VV655000	Digital Transistor	DTA114EKA TP	デジタルトランジスタ		01
Q618	VV556400	Transistor	2SC2412K Q,R,S	トランジスタ		01
Q619	VV655000	Digital Transistor	DTA114EKA TP	デジタルトランジスタ		01
Q620	VV556500	Transistor	2SA1037AK Q,R,S	トランジスタ		01
Q621	VV556400	Transistor	2SC2412K Q,R,S	トランジスタ		01
Q622	VV556400	Transistor	2SC2412K Q,R,S	トランジスタ		01
Q623	VV655400	Digital Transistor	DTC114EKA TP	デジタルトランジスタ		01
Q624	VV556400	Transistor	2SC2412K Q,R,S	トランジスタ		01
Q625	VV655400	Digital Transistor	DTC114EKA TP	デジタルトランジスタ		01
Q626	VV556500	Transistor	2SA1037AK Q,R,S	トランジスタ		01
Q627	VV655400	Digital Transistor	DTC114EKA TP	デジタルトランジスタ		01
Q628	VV655400	Digital Transistor	DTC114EKA TP	デジタルトランジスタ		01
Q629	VV556400	Transistor	2SC2412K Q,R,S	トランジスタ		01
Q630	VV556500	Transistor	2SA1037AK Q,R,S	トランジスタ		01
Q631	VV556400	Transistor	2SC2412K Q,R,S	トランジスタ		01
Q632	VV655400	Digital Transistor	DTC114EKA TP	デジタルトランジスタ		01
-635	VV655400	Digital Transistor	DTC114EKA TP	デジタルトランジスタ		01
Q636	VV655000	Digital Transistor	DTA114EKA TP	デジタルトランジスタ		01
Q637	VV655000	Digital Transistor	DTA114EKA TP	デジタルトランジスタ		01
Q701	VV556400	Transistor	2SC2412K Q,R,S	トランジスタ		01
-708	VV556400	Transistor	2SC2412K Q,R,S	トランジスタ		01
Q709	V4096100	Transistor	2SC4614 S,T	トランジスタ		02
Q710	VV556400	Transistor	2SC2412K Q,R,S	トランジスタ		01
Q711	V2797600	Transistor	2SA1993 E,F	トランジスタ		01
Q713	VV556400	Transistor	2SC2412K Q,R,S	トランジスタ		01
-721	VV556400	Transistor	2SC2412K Q,R,S	トランジスタ		01
Q722	V2797600	Transistor	2SA1993 E,F	トランジスタ		01
Q723	VV655400	Digital Transistor	DTC114EKA TP	デジタルトランジスタ		01
R401	RG007100	Carbon Resistor (chip)	10K 0.1 J	チップ抵抗		
R402	RG006220	Carbon Resistor (chip)	2.2K 0.1 J	チップ抵抗		
R403	RG006220	Carbon Resistor (chip)	2.2K 0.1 J	チップ抵抗		
R404	RG005100	Carbon Resistor (chip)	100 0.1 J	チップ抵抗		
R405	RG007220	Carbon Resistor (chip)	22K 0.1 J	チップ抵抗		
R406	RG007220	Carbon Resistor (chip)	22K 0.1 J	チップ抵抗		
R407	RG006300	Carbon Resistor (chip)	3.0K 0.1 J	チップ抵抗		
R408	RG006100	Carbon Resistor (chip)	1.0K 0.1 J	チップ抵抗		
R409	RG007220	Carbon Resistor (chip)	22K 0.1 J	チップ抵抗		
R410	RG007220	Carbon Resistor (chip)	22K 0.1 J	チップ抵抗		
R411	RG005330	Carbon Resistor (chip)	330 0.1 J	チップ抵抗		
R412	RG007110	Carbon Resistor (chip)	11K 0.1 J	チップ抵抗		
R413	RG007560	Carbon Resistor (chip)	56K 0.1 J	チップ抵抗		
R414	RG007220	Carbon Resistor (chip)	22K 0.1 J	チップ抵抗		
R416	RG007220	Carbon Resistor (chip)	22K 0.1 J	チップ抵抗		
R417	V1197800	Metal Film Resistor(chip)	15.0K 1/10 D	チップ金被抵抗		01
-420	V1197800	Metal Film Resistor(chip)	15.0K 1/10 D	チップ金被抵抗		01
R421	RG006300	Carbon Resistor (chip)	3.0K 0.1 J	チップ抵抗		
R422	RG006100	Carbon Resistor (chip)	1.0K 0.1 J	チップ抵抗		
R423	RG007220	Carbon Resistor (chip)	22K 0.1 J	チップ抵抗		

*: New Parts

RANK: Japan only

REF NO.	PART NO.	DESCRIPTION		部 品 名	REMARKS	QTY	RANK
R424	VI197800	Metal Film Resistor(chip)	15.0K 1/10 D	チ ッ プ 金 被 抵 抗			01
R425	VI197800	Metal Film Resistor(chip)	15.0K 1/10 D	チ ッ プ 金 被 抵 抗			01
R426	RG007220	Carbon Resistor (chip)	22K 0.1 J	チ ッ プ 抵 抗			
R427	VI197800	Metal Film Resistor(chip)	15.0K 1/10 D	チ ッ プ 金 被 抵 抗			01
R428	VI197800	Metal Film Resistor(chip)	15.0K 1/10 D	チ ッ プ 金 被 抵 抗			01
R429	RG005330	Carbon Resistor (chip)	330 0.1 J	チ ッ プ 抵 抗			
R430	RG007110	Carbon Resistor (chip)	11K 0.1 J	チ ッ プ 抵 抗			
R431	RG007560	Carbon Resistor (chip)	56K 0.1 J	チ ッ プ 抵 抗			
R432	RG007220	Carbon Resistor (chip)	22K 0.1 J	チ ッ プ 抵 抗			
R433	RG004180	Carbon Resistor (chip)	18 0.1 J	チ ッ プ 抵 抗			
R434	RG004180	Carbon Resistor (chip)	18 0.1 J	チ ッ プ 抵 抗			
* R435	RF357270	Carbon Resistor (chip)	27.0K D 1608	チ ッ プ 抵 抗			
* R436	RF357270	Carbon Resistor (chip)	27.0K D 1608	チ ッ プ 抵 抗			
R437	RF357560	Carbon Resistor (chip)	56.0K D 1608	チ ッ プ 抵 抗			
R438	RF357560	Carbon Resistor (chip)	56.0K D 1608	チ ッ プ 抵 抗			
R439	RG004180	Carbon Resistor (chip)	18 0.1 J	チ ッ プ 抵 抗			
R440	RG004180	Carbon Resistor (chip)	18 0.1 J	チ ッ プ 抵 抗			
R442	RG005560	Carbon Resistor (chip)	560 0.1 J	チ ッ プ 抵 抗			
R443	RG008100	Carbon Resistor (chip)	100K 0.1 J	チ ッ プ 抵 抗			
R444	RF356470	Carbon Resistor (chip)	4.7K D 1608	チ ッ プ 抵 抗			01
R445	RF356470	Carbon Resistor (chip)	4.7K D 1608	チ ッ プ 抵 抗			01
R446	RG006270	Carbon Resistor (chip)	2.7K 0.1 J	チ ッ プ 抵 抗			
R447	RG006270	Carbon Resistor (chip)	2.7K 0.1 J	チ ッ プ 抵 抗			
R448	RF356470	Carbon Resistor (chip)	4.7K D 1608	チ ッ プ 抵 抗			01
R449	RF356470	Carbon Resistor (chip)	4.7K D 1608	チ ッ プ 抵 抗			01
R450	RG004180	Carbon Resistor (chip)	18 0.1 J	チ ッ プ 抵 抗			
R451	RG004180	Carbon Resistor (chip)	18 0.1 J	チ ッ プ 抵 抗			
R453	RG005560	Carbon Resistor (chip)	560 0.1 J	チ ッ プ 抵 抗			
R454	RG008100	Carbon Resistor (chip)	100K 0.1 J	チ ッ プ 抵 抗			
R455	RF356470	Carbon Resistor (chip)	4.7K D 1608	チ ッ プ 抵 抗			01
R456	RF356470	Carbon Resistor (chip)	4.7K D 1608	チ ッ プ 抵 抗			01
R457	RG004180	Carbon Resistor (chip)	18 0.1 J	チ ッ プ 抵 抗			
R458	RG004180	Carbon Resistor (chip)	18 0.1 J	チ ッ プ 抵 抗			
R459	RG008100	Carbon Resistor (chip)	100K 0.1 J	チ ッ プ 抵 抗			
R460	RG008100	Carbon Resistor (chip)	100K 0.1 J	チ ッ プ 抵 抗			
R461	RG004180	Carbon Resistor (chip)	18 0.1 J	チ ッ プ 抵 抗			
R462	RG004180	Carbon Resistor (chip)	18 0.1 J	チ ッ プ 抵 抗			
R463	RG007300	Carbon Resistor (chip)	30K 0.1 J	チ ッ プ 抵 抗			
R464	RF356470	Carbon Resistor (chip)	4.7K D 1608	チ ッ プ 抵 抗			01
R465	RG006270	Carbon Resistor (chip)	2.7K 0.1 J	チ ッ プ 抵 抗			
R466	RF356470	Carbon Resistor (chip)	4.7K D 1608	チ ッ プ 抵 抗			01
R467	RG004180	Carbon Resistor (chip)	18 0.1 J	チ ッ プ 抵 抗			
* R468	V9756900	Carbon Resistor	330 1/2 F	力 - ボ ン 抵 抗			03
* R469	V9756900	Carbon Resistor	330 1/2 F	力 - ボ ン 抵 抗			03
R471	RG000000	Carbon Resistor (chip)	0 0.1 J	チ ッ プ 抵 抗			
R473	RG000000	Carbon Resistor (chip)	0 0.1 J	チ ッ プ 抵 抗			
R475	RG000000	Carbon Resistor (chip)	0 0.1 J	チ ッ プ 抵 抗			
R477	RG000000	Carbon Resistor (chip)	0 0.1 J	チ ッ プ 抵 抗			
R479	RG000000	Carbon Resistor (chip)	0 0.1 J	チ ッ プ 抵 抗			
R481	RG000000	Carbon Resistor (chip)	0 0.1 J	チ ッ プ 抵 抗			
R482	RG000000	Carbon Resistor (chip)	0 0.1 J	チ ッ プ 抵 抗			
R484	RG008100	Carbon Resistor (chip)	100K 0.1 J	チ ッ プ 抵 抗			
R485	RG008100	Carbon Resistor (chip)	100K 0.1 J	チ ッ プ 抵 抗			
R486	RG006120	Carbon Resistor (chip)	1.2K 0.1 J	チ ッ プ 抵 抗			
R487	RG006120	Carbon Resistor (chip)	1.2K 0.1 J	チ ッ プ 抵 抗			
R601	VY997600	Metal Oxide Film Resistor	4.7 3W J	サ ン キ ン 抵 抗			01
R602	VY997600	Metal Oxide Film Resistor	4.7 3W J	サ ン キ ン 抵 抗			01
R603	RG007300	Carbon Resistor (chip)	30K 0.1 J	チ ッ プ 抵 抗			
R604	RG005220	Carbon Resistor (chip)	220 0.1 J	チ ッ プ 抵 抗			
R605	VY997600	Metal Oxide Film Resistor	4.7 3W J	サ ン キ ン 抵 抗			01
R606	VY997600	Metal Oxide Film Resistor	4.7 3W J	サ ン キ ン 抵 抗			01
R607	RG007470	Carbon Resistor (chip)	47K 0.1 J	チ ッ プ 抵 抗			
R608	VV276700	Flame Proof C. Resistor	4.7 1/4 J	不 燃 化 力 - ボ ン 抵 抗			01
R609	VV276700	Flame Proof C. Resistor	4.7 1/4 J	不 燃 化 力 - ボ ン 抵 抗			01
R610	RG006470	Carbon Resistor (chip)	4.7K 0.1 J	チ ッ プ 抵 抗			
R611	RG005220	Carbon Resistor (chip)	220 0.1 J	チ ッ プ 抵 抗			
R612	RF357360	Carbon Resistor (chip)	36.0K D 1608	チ ッ プ 抵 抗			
R613	RF357470	Carbon Resistor (chip)	47.0K D 1608	チ ッ プ 抵 抗			
* R614	RF356430	Carbon Resistor (chip)	4.3K D 1608	チ ッ プ 抵 抗			
* R615	RF356430	Carbon Resistor (chip)	4.3K D 1608	チ ッ プ 抵 抗			

*: New Parts

RANK: Japan only

REF NO.	PART NO.	DESCRIPTION	部 品 名	REMARKS	QTY	RANK
R616	RF357360	Carbon Resistor (chip)	36.0K D 1608	チ ッ プ 抵 抗		
R617	RF357470	Carbon Resistor (chip)	47.0K D 1608	チ ッ プ 抵 抗		
R618	VZ008800	Flame Proof C. Resistor	22.0 1/4 J	不 燃 化 カ ー ボ ン 抵 抗		01
R619	VZ008800	Flame Proof C. Resistor	22.0 1/4 J	不 燃 化 カ ー ボ ン 抵 抗		01
R620	RG008100	Carbon Resistor (chip)	100K 0.1 J	チ ッ プ 抵 抗		
R621	RG006100	Carbon Resistor (chip)	1.0K 0.1 J	チ ッ プ 抵 抗		
R622	RG006470	Carbon Resistor (chip)	4.7K 0.1 J	チ ッ プ 抵 抗		
R623	RG007680	Carbon Resistor (chip)	68K 0.1 J	チ ッ プ 抵 抗		
-628	RG007680	Carbon Resistor (chip)	68K 0.1 J	チ ッ プ 抵 抗		
R629	RG007300	Carbon Resistor (chip)	30K 0.1 J	チ ッ プ 抵 抗		
R630	RG006100	Carbon Resistor (chip)	1.0K 0.1 J	チ ッ プ 抵 抗		
R631	RG007680	Carbon Resistor (chip)	68K 0.1 J	チ ッ プ 抵 抗		
R632	RG006470	Carbon Resistor (chip)	4.7K 0.1 J	チ ッ プ 抵 抗		
R633	RG007470	Carbon Resistor (chip)	47K 0.1 J	チ ッ プ 抵 抗		
R637	RG006470	Carbon Resistor (chip)	4.7K 0.1 J	チ ッ プ 抵 抗		
R638	RG007100	Carbon Resistor (chip)	10K 0.1 J	チ ッ プ 抵 抗		
* R639	RF355240	Carbon Resistor (chip)	240.0 D 1608	チ ッ プ 抵 抗		
* R640	RF355240	Carbon Resistor (chip)	240.0 D 1608	チ ッ プ 抵 抗		
R641	RF356220	Carbon Resistor (chip)	2.2K D 1608	チ ッ プ 抵 抗		01
R642	RF356220	Carbon Resistor (chip)	2.2K D 1608	チ ッ プ 抵 抗		01
* R643	RF359100	Carbon Resistor (chip)	1.0M D 1608	チ ッ プ 抵 抗		
* R644	RF359100	Carbon Resistor (chip)	1.0M D 1608	チ ッ プ 抵 抗		
R646	RG007100	Carbon Resistor (chip)	10K 0.1 J	チ ッ プ 抵 抗		
R647	RF356470	Carbon Resistor (chip)	4.7K D 1608	チ ッ プ 抵 抗		01
R648	RF356470	Carbon Resistor (chip)	4.7K D 1608	チ ッ プ 抵 抗		01
R649	RG006300	Carbon Resistor (chip)	3.0K 0.1 J	チ ッ プ 抵 抗		
R650	RG006300	Carbon Resistor (chip)	3.0K 0.1 J	チ ッ プ 抵 抗		
R651	RG007240	Carbon Resistor (chip)	24K 0.1 J	チ ッ プ 抵 抗		
R652	RG006470	Carbon Resistor (chip)	4.7K 0.1 J	チ ッ プ 抵 抗		
R654	RG007100	Carbon Resistor (chip)	10K 0.1 J	チ ッ プ 抵 抗		
R656	RG007100	Carbon Resistor (chip)	10K 0.1 J	チ ッ プ 抵 抗		
R657	RG007100	Carbon Resistor (chip)	10K 0.1 J	チ ッ プ 抵 抗		
R658	RG004180	Carbon Resistor (chip)	18 0.1 J	チ ッ プ 抵 抗		
R659	RG007100	Carbon Resistor (chip)	10K 0.1 J	チ ッ プ 抵 抗		
R660	RG007180	Carbon Resistor (chip)	18K 0.1 J	チ ッ プ 抵 抗		
R661	RG006130	Carbon Resistor (chip)	1.3K 0.1 J	チ ッ プ 抵 抗		
R662	RG007330	Carbon Resistor (chip)	33K 0.1 J	チ ッ プ 抵 抗		
R663	RG007300	Carbon Resistor (chip)	30K 0.1 J	チ ッ プ 抵 抗		
R664	RG007330	Carbon Resistor (chip)	33K 0.1 J	チ ッ プ 抵 抗		
R665	RG004180	Carbon Resistor (chip)	18 0.1 J	チ ッ プ 抵 抗		
R666	RG007100	Carbon Resistor (chip)	10K 0.1 J	チ ッ プ 抵 抗		
* R667	RG008560	Carbon Resistor (chip)	560K 0.1 J	チ ッ プ 抵 抗		
R668	RG009100	Carbon Resistor (chip)	1.0M 0.1 J	チ ッ プ 抵 抗		
R669	RG008220	Carbon Resistor (chip)	220K 0.1 J	チ ッ プ 抵 抗		
* R670	RG008560	Carbon Resistor (chip)	560K 0.1 J	チ ッ プ 抵 抗		
R671	RG009100	Carbon Resistor (chip)	1.0M 0.1 J	チ ッ プ 抵 抗		
R672	RG008220	Carbon Resistor (chip)	220K 0.1 J	チ ッ プ 抵 抗		
* R673	RG008560	Carbon Resistor (chip)	560K 0.1 J	チ ッ プ 抵 抗		
* R674	RG008560	Carbon Resistor (chip)	560K 0.1 J	チ ッ プ 抵 抗		
R675	RG007300	Carbon Resistor (chip)	30K 0.1 J	チ ッ プ 抵 抗		
R676	RG007100	Carbon Resistor (chip)	10K 0.1 J	チ ッ プ 抵 抗		
R677	RG007100	Carbon Resistor (chip)	10K 0.1 J	チ ッ プ 抵 抗		
R678	RG007360	Carbon Resistor (chip)	36K 0.1 J	チ ッ プ 抵 抗		
R679	RG007360	Carbon Resistor (chip)	36K 0.1 J	チ ッ プ 抵 抗		
R680	RG005220	Carbon Resistor (chip)	220 0.1 J	チ ッ プ 抵 抗		
R681	RG005220	Carbon Resistor (chip)	220 0.1 J	チ ッ プ 抵 抗		
R682	RG006220	Carbon Resistor (chip)	2.2K 0.1 J	チ ッ プ 抵 抗		
R683	RG009100	Carbon Resistor (chip)	1.0M 0.1 J	チ ッ プ 抵 抗		
R684	RG009100	Carbon Resistor (chip)	1.0M 0.1 J	チ ッ プ 抵 抗		
R701	RG008100	Carbon Resistor (chip)	100K 0.1 J	チ ッ プ 抵 抗		
-708	RG008100	Carbon Resistor (chip)	100K 0.1 J	チ ッ プ 抵 抗		
R709	RG006100	Carbon Resistor (chip)	1.0K 0.1 J	チ ッ プ 抵 抗		
R710	RG008100	Carbon Resistor (chip)	100K 0.1 J	チ ッ プ 抵 抗		
R711	RG005100	Carbon Resistor (chip)	100 0.1 J	チ ッ プ 抵 抗		
R712	RG006100	Carbon Resistor (chip)	1.0K 0.1 J	チ ッ プ 抵 抗		
R713	RG006150	Carbon Resistor (chip)	1.5K 0.1 J	チ ッ プ 抵 抗		
R714	RG007200	Carbon Resistor (chip)	20K 0.1 J	チ ッ プ 抵 抗		
R715	RG005220	Carbon Resistor (chip)	220 0.1 J	チ ッ プ 抵 抗		
R716	RG007100	Carbon Resistor (chip)	10K 0.1 J	チ ッ プ 抵 抗		
R717	RG007220	Carbon Resistor (chip)	22K 0.1 J	チ ッ プ 抵 抗		

*: New Parts

RANK: Japan only

REF NO.	PART NO.	DESCRIPTION		部	品	名	REMARKS	QTY	RANK
R718	RG007220	Carbon Resistor (chip)	22K 0.1 J	チ	ッ	ブ	抵抗		
R720	RG007100	Carbon Resistor (chip)	10K 0.1 J	チ	ッ	ブ	抵抗		
* R721	RF357110	Carbon Resistor (chip)	11.0K D 1608	チ	ッ	ブ	抵抗		01
R723	RF358100	Carbon Resistor (chip)	100.0K D 1608	チ	ッ	ブ	抵抗		01
R724	RG006150	Carbon Resistor (chip)	1.5K 0.1 J	チ	ッ	ブ	抵抗		
-726	RG006150	Carbon Resistor (chip)	1.5K 0.1 J	チ	ッ	ブ	抵抗		
R727	RG007180	Carbon Resistor (chip)	18K 0.1 J	チ	ッ	ブ	抵抗		
R728	RG008100	Carbon Resistor (chip)	100K 0.1 J	チ	ッ	ブ	抵抗		
-731	RG008100	Carbon Resistor (chip)	100K 0.1 J	チ	ッ	ブ	抵抗		
R732	RG006150	Carbon Resistor (chip)	1.5K 0.1 J	チ	ッ	ブ	抵抗		
-734	RG006150	Carbon Resistor (chip)	1.5K 0.1 J	チ	ッ	ブ	抵抗		
R735	RG008100	Carbon Resistor (chip)	100K 0.1 J	チ	ッ	ブ	抵抗		
R736	RG008100	Carbon Resistor (chip)	100K 0.1 J	チ	ッ	ブ	抵抗		
R737	RG005560	Carbon Resistor (chip)	560 0.1 J	チ	ッ	ブ	抵抗		
R738	RG008100	Carbon Resistor (chip)	100K 0.1 J	チ	ッ	ブ	抵抗		
R739	RG008100	Carbon Resistor (chip)	100K 0.1 J	チ	ッ	ブ	抵抗		
R740	RG005560	Carbon Resistor (chip)	560 0.1 J	チ	ッ	ブ	抵抗		
R741	RG008100	Carbon Resistor (chip)	100K 0.1 J	チ	ッ	ブ	抵抗		
R742	RG005100	Carbon Resistor (chip)	100 0.1 J	チ	ッ	ブ	抵抗		
R743	RG006100	Carbon Resistor (chip)	1.0K 0.1 J	チ	ッ	ブ	抵抗		
R744	RG006150	Carbon Resistor (chip)	1.5K 0.1 J	チ	ッ	ブ	抵抗		
R745	RG007200	Carbon Resistor (chip)	20K 0.1 J	チ	ッ	ブ	抵抗		
R746	RG005220	Carbon Resistor (chip)	220 0.1 J	チ	ッ	ブ	抵抗		
R747	RG007100	Carbon Resistor (chip)	10K 0.1 J	チ	ッ	ブ	抵抗		
R748	RG007220	Carbon Resistor (chip)	22K 0.1 J	チ	ッ	ブ	抵抗		
R749	RG007360	Carbon Resistor (chip)	36K 0.1 J	チ	ッ	ブ	抵抗		
R751	RG007220	Carbon Resistor (chip)	22K 0.1 J	チ	ッ	ブ	抵抗		
* R754	RF357110	Carbon Resistor (chip)	11.0K D 1608	チ	ッ	ブ	抵抗		01
R756	RF358100	Carbon Resistor (chip)	100.0K D 1608	チ	ッ	ブ	抵抗		01
R758	RG006150	Carbon Resistor (chip)	1.5K 0.1 J	チ	ッ	ブ	抵抗		
-760	RG006150	Carbon Resistor (chip)	1.5K 0.1 J	チ	ッ	ブ	抵抗		
R761	RG007180	Carbon Resistor (chip)	18K 0.1 J	チ	ッ	ブ	抵抗		
R763	RG007100	Carbon Resistor (chip)	10K 0.1 J	チ	ッ	ブ	抵抗		
* R767	RF355160	Carbon Resistor (chip)	160.0 D 1608	チ	ッ	ブ	抵抗		
* R768	RF355160	Carbon Resistor (chip)	160.0 D 1608	チ	ッ	ブ	抵抗		
R769	RG006100	Carbon Resistor (chip)	1.0K 0.1 J	チ	ッ	ブ	抵抗		
R770	RG006470	Carbon Resistor (chip)	4.7K 0.1 J	チ	ッ	ブ	抵抗		
R771	RG005680	Carbon Resistor (chip)	680 0.1 J	チ	ッ	ブ	抵抗		
R801	RG005330	Carbon Resistor (chip)	330 0.1 J	チ	ッ	ブ	抵抗		
R802	RG006330	Carbon Resistor (chip)	3.3K 0.1 J	チ	ッ	ブ	抵抗		
R803	RG005220	Carbon Resistor (chip)	220 0.1 J	チ	ッ	ブ	抵抗		
R804	RG006470	Carbon Resistor (chip)	4.7K 0.1 J	チ	ッ	ブ	抵抗		
* R805	RG205220	Carbon Resistor (chip)	220 1/4 J	チ	ッ	ブ	抵抗		
R806	RG006100	Carbon Resistor (chip)	1.0K 0.1 J	チ	ッ	ブ	抵抗		
-813	RG006100	Carbon Resistor (chip)	1.0K 0.1 J	チ	ッ	ブ	抵抗		
R814	RG007470	Carbon Resistor (chip)	47K 0.1 J	チ	ッ	ブ	抵抗		
-820	RG007470	Carbon Resistor (chip)	47K 0.1 J	チ	ッ	ブ	抵抗		
R821	RG005100	Carbon Resistor (chip)	100 0.1 J	チ	ッ	ブ	抵抗		
R822	RG007100	Carbon Resistor (chip)	10K 0.1 J	チ	ッ	ブ	抵抗		
R823	RG205220	Carbon Resistor (chip)	220 1/4 J	チ	ッ	ブ	抵抗		
R824	RG007470	Carbon Resistor (chip)	47K 0.1 J	チ	ッ	ブ	抵抗		
-827	RG007470	Carbon Resistor (chip)	47K 0.1 J	チ	ッ	ブ	抵抗		
R828	RG005100	Carbon Resistor (chip)	100 0.1 J	チ	ッ	ブ	抵抗		
-835	RG005100	Carbon Resistor (chip)	100 0.1 J	チ	ッ	ブ	抵抗		
R901	RF357470	Carbon Resistor (chip)	47.0K D 1608	チ	ッ	ブ	抵抗		
R902	RF357470	Carbon Resistor (chip)	47.0K D 1608	チ	ッ	ブ	抵抗		
R903	RG007100	Carbon Resistor (chip)	10K 0.1 J	チ	ッ	ブ	抵抗		
R904	RG007100	Carbon Resistor (chip)	10K 0.1 J	チ	ッ	ブ	抵抗		
R905	RF357470	Carbon Resistor (chip)	47.0K : D 1608	チ	ッ	ブ	抵抗		
-912	RF357470	Carbon Resistor (chip)	47.0K : D 1608	チ	ッ	ブ	抵抗		
R913	RG007100	Carbon Resistor (chip)	10K 0.1 J	チ	ッ	ブ	抵抗		
R914	RG007100	Carbon Resistor (chip)	10K 0.1 J	チ	ッ	ブ	抵抗		
* R915	RF357270	Carbon Resistor (chip)	27.0K D 1608	チ	ッ	ブ	抵抗		
* R916	RF357270	Carbon Resistor (chip)	27.0K D 1608	チ	ッ	ブ	抵抗		
R919	RF357470	Carbon Resistor (chip)	47.0K D 1608	チ	ッ	ブ	抵抗		
R920	RF357470	Carbon Resistor (chip)	47.0K D 1608	チ	ッ	ブ	抵抗		
R921	RG007100	Carbon Resistor (chip)	10K 0.1 J	チ	ッ	ブ	抵抗		
R922	RG007100	Carbon Resistor (chip)	10K 0.1 J	チ	ッ	ブ	抵抗		
R923	RF357470	Carbon Resistor (chip)	47.0K D 1608	チ	ッ	ブ	抵抗		
-930	RF357470	Carbon Resistor (chip)	47.0K D 1608	チ	ッ	ブ	抵抗		

*: New Parts

RANK: Japan only

REF NO.	PART NO.	DESCRIPTION		部 品 名	REMARKS	QTY	RANK
R931	RG007100	Carbon Resistor (chip)	10K 0.1 J	チ ッ プ 抵 抗			
R932	RG007100	Carbon Resistor (chip)	10K 0.1 J	チ ッ プ 抵 抗			
R933	RF357470	Carbon Resistor (chip)	47.0K D 1608	チ ッ プ 抵 抗			
R934	RF357470	Carbon Resistor (chip)	47.0K D 1608	チ ッ プ 抵 抗			
R937	RF357470	Carbon Resistor (chip)	47.0K D 1608	チ ッ プ 抵 抗			
R938	RF357470	Carbon Resistor (chip)	47.0K D 1608	チ ッ プ 抵 抗			
R939	RG007100	Carbon Resistor (chip)	10K 0.1 J	チ ッ プ 抵 抗			
R940	RG007100	Carbon Resistor (chip)	10K 0.1 J	チ ッ プ 抵 抗			
R941	RF357470	Carbon Resistor (chip)	47.0K D 1608	チ ッ プ 抵 抗			
-948	RF357470	Carbon Resistor (chip)	47.0K D 1608	チ ッ プ 抵 抗			
R949	RG007100	Carbon Resistor (chip)	10K 0.1 J	チ ッ プ 抵 抗			
R950	RG007100	Carbon Resistor (chip)	10K 0.1 J	チ ッ プ 抵 抗			
* R951	RF357680	Carbon Resistor (chip)	68.0K D 1608	チ ッ プ 抵 抗			01
* R952	RF357680	Carbon Resistor (chip)	68.0K D 1608	チ ッ プ 抵 抗			01
R955	RG005220	Carbon Resistor (chip)	220 0.1 J	チ ッ プ 抵 抗			
-960	RG005220	Carbon Resistor (chip)	220 0.1 J	チ ッ プ 抵 抗			
RA802	RE047470	Resistor Array	47KX4	抵 抗 ア レ イ			01
-805	RE047470	Resistor Array	47KX4	抵 抗 ア レ イ			01
RA807	RE047470	Resistor Array	47KX4	抵 抗 ア レ イ			01
RA809	RE047470	Resistor Array	47KX4	抵 抗 ア レ イ			01
RA811	RE045100	Resistor Array	100X4	抵 抗 ア レ イ			01
RY401	V8245600	Relay	DC ATX203	リ レ ー			04
-403	V8245600	Relay	DC ATX203	リ レ ー			04
SP601	VZ956900	Speaker Terminal	STB-403AU 4P	ス ビ ー カ 端 子	SPEAKER		06
* SP602	V8181700	Receptacle	NL4MD-H	レ セ プ タ ク ル	4 P SP 2		06
* SP603	V8181700	Receptacle	NL4MD-H	レ セ プ タ ク ル	4 P SP 1		06
SW401	V6024900	Slide Switch	SSSF043NA1-YL	ス ラ イ ド S W	BRIDGE		03
* SW402	V8096600	Slide Switch	SSSF022NA1-YL	ス ラ イ ド S W	HPF 40HZ		02
* SW801	V8243300	Dip Switch	RPL-06	デ ィ ッ プ S W	AMP ID		03
VR401	VR150500	Rotary Variable Resistor	5K RK271112	ロ ー タ リ ー V R	CH ATT B		07
VR402	VR150500	Rotary Variable Resistor	5K RK271112	ロ ー タ リ ー V R	CH ATT A		07
VR702	V2347600	Trimmer Potentiometer	B 1K 3P TB625M	半 固 定 V R	LED METER ADJUSTMENT		01
VR704	V2347600	Trimmer Potentiometer	B 1K 3P TB625M	半 固 定 V R	LED METER ADJUSTMENT		01
* X801	V8249200	Quartz Crystal Unit	6.4512MHZ AT-49	水 晶 振 動 子			03
* --	--	Circuit Board	PA5	シ ー ト P A 5	(V848150)(X2074C0)		
C201	UA953150	Mylar Capacitor	1500P 50V J	マ イ ラ ー コ ン			01
C202	VZ004000	Electrolytic Cap.-SK	2.2 200.0V	ケ ミ コ ン S K			01
C203	VZ004000	Electrolytic Cap.-SK	2.2 200.0V	ケ ミ コ ン S K			01
C204	UR828220	Electrolytic Cap.	220.00 10.0V	ケ ミ コ ン			01
C205	FU451100	Mica Capacitor	10P 500V D	マ イ カ コ ン			01
C206	VV060300	Mylar Capacitor	2200P 50V J	マ イ ラ ー コ ン			01
C207	UR847100	Electrolytic Cap.	10.00 25.0V	ケ ミ コ ン			01
C208	VZ354000	Ceramic Capacitor-F	0.0100 50V Z	セ ラ コ ン F			01
C209	FU451220	Mica Capacitor	22P 500V J	マ イ カ コ ン			01
C210	FU451220	Mica Capacitor	22P 500V J	マ イ カ コ ン			01
C211	UR896470	Electrolytic Cap.	4.7 100.0V	ケ ミ コ ン			01
C212	UR896470	Electrolytic Cap.	4.7 100.0V	ケ ミ コ ン			01
C213	VZ354000	Ceramic Capacitor-F	0.0100 50V Z	セ ラ コ ン F			01
C214	VZ354000	Ceramic Capacitor-F	0.0100 50V Z	セ ラ コ ン F			01
C215	V2347400	Mylar Capacitor	7500P 50V J	マ イ ラ ー コ ン			01
C216	V2347400	Mylar Capacitor	7500P 50V J	マ イ ラ ー コ ン			01
C217	V4567500	Ceramic Capacitor-SL	10P 500V K	セ ラ コ ン (S L)			
C218	V4567500	Ceramic Capacitor-SL	10P 500V K	セ ラ コ ン (S L)			
C219	VZ004000	Electrolytic Cap.-SK	2.2 200.0V	ケ ミ コ ン S K			01
C220	VZ004000	Electrolytic Cap.-SK	2.2 200.0V	ケ ミ コ ン S K			01
C221	VV314600	Ceramic Capacitor-B	0.0022 500V K	セ ラ コ ン B			01
C222	V5097700	Mylar Capacitor	3.3000 250V K	フ ィ ル ム コ ン			05
C223	V5097700	Mylar Capacitor	3.3000 250V K	フ ィ ル ム コ ン			05
C224	VZ004000	Electrolytic Cap.-SK	2.2 200.0V	ケ ミ コ ン S K			01
C225	VZ004000	Electrolytic Cap.-SK	2.2 200.0V	ケ ミ コ ン S K			01
C226	VV314600	Ceramic Capacitor-B	0.0022 500V K	セ ラ コ ン B			01
-228	VV314600	Ceramic Capacitor-B	0.0022 500V K	セ ラ コ ン B			01
* C229	V8148100	Electrolytic Cap.-GU	220.00 200.0V	ケ ミ コ ン G U			05
* C230	V8148100	Electrolytic Cap.-GU	220.00 200.0V	ケ ミ コ ン G U			05
C231	VV314600	Ceramic Capacitor-B	0.0022 500V K	セ ラ コ ン B			01
C232	UR866100	Electrolytic Cap.	1.00 50.0V	ケ ミ コ ン			01
C233	V2347400	Mylar Capacitor	7500P 50V J	マ イ ラ ー コ ン			01
C234	V3280500	Ceramic Capacitor-B	100P 500 K	セ ラ コ ン B			01
C235	V3280500	Ceramic Capacitor-B	100P 500 K	セ ラ コ ン B			01

*: New Parts

RANK: Japan only

REF NO.	PART NO.	DESCRIPTION	部 品 名	REMARKS	QTY	RANK
CN201	VV066300	Connector Base Post	M2426XX 3P TE	コネクタベースポスト		01
CN202	VV066600	Connector Base Post	M2426XX 6P TE	コネクタベースポスト		01
CN203	VV067600	Connector Base Post	M2426XXR 2P SE	コネクタベースポスト		01
CN204	VV067600	Connector Base Post	M2426XXR 2P SE	コネクタベースポスト		01
CN205	VV066200	Connector Base Post	M2426XX 2P TE	コネクタベースポスト		01
D201	VD631600	Diode	1SS133,176,HSS104	ダイオード		01
-204	VD631600	Diode	1SS133,176,HSS104	ダイオード		01
D206	VQ469600	Diode	HSS82	ダイオード		01
D207	VQ469600	Diode	HSS82	ダイオード		01
D208	VQ553700	Zener Diode	MTZJ6.2C 6.2V	ツェナーダイオード		01
D209	VQ553700	Zener Diode	MTZJ6.2C 6.2V	ツェナーダイオード		01
D210	VQ469600	Diode	HSS82	ダイオード		01
D211	VQ469600	Diode	HSS82	ダイオード		01
D212	VD631600	Diode	1SS133,176,HSS104	ダイオード		01
D214	VD631600	Diode	1SS133,176,HSS104	ダイオード		01
D215	VD631600	Diode	1SS133,176,HSS104	ダイオード		01
D216	VG435600	Zener Diode	MTZ J 2.7A 2.7V	ツェナーダイオード		01
D217	VG435600	Zener Diode	MTZ J 3.9A 3.9V	ツェナーダイオード		01
D218	VD631600	Diode	1SS133,176,HSS104	ダイオード		01
D219	VD631600	Diode	1SS133,176,HSS104	ダイオード		01
D220	VG438900	Zener Diode	MTZ J 8.2B 8.2V	ツェナーダイオード		01
D221	VQ469600	Diode	HSS82	ダイオード		01
D222	VQ469600	Diode	HSS82	ダイオード		01
D223	VG438400	Zener Diode	MTZ J 6.8C 6.8V	ツェナーダイオード		01
D224	VQ308300	Diode	D1NL40	ダイオード		02
D225	VQ469600	Diode	HSS82	ダイオード		01
D226	VQ469600	Diode	HSS82	ダイオード		01
D227	VQ308300	Diode	D1NL40	ダイオード		02
D228	VQ469600	Diode	HSS82	ダイオード		01
D229	VQ469600	Diode	HSS82	ダイオード		01
D230	VU801600	Diode	1N4004L 26	ダイオード		01
-233	VU801600	Diode	1N4004L 26	ダイオード		01
D236	VN478200	Diode	D1NL20U	ダイオード		01
-238	VN478200	Diode	D1NL20U	ダイオード		01
D239	VN771700	Diode	D1NS4	ダイオード		01
D240	VN771700	Diode	D1NS4	ダイオード		01
* L201	V8936700	Coil	100UH15A	コイル		
* L202	V8936700	Coil	100UH15A	コイル		
L203	GD900470	Coil	RZ-001 1.5UH	空芯コイル 1.5uH		01
L204	GD900470	Coil	RZ-001 1.5UH	空芯コイル 1.5uH		01
Q201	IC1815M0	Transistor	2SC1815 Y,GR	トランジスタ		01
Q202	VR152800	Transistor	2SA1480 E,F	トランジスタ		02
Q203	VR152800	Transistor	2SA1480 E,F	トランジスタ		02
Q204	VU418600	Transistor	2SC3468 D,E	トランジスタ		01
Q205	VR152800	Transistor	2SA1480 E,F	トランジスタ		02
Q206	IC1815M0	Transistor	2SC1815 Y,GR	トランジスタ		01
Q207	IC1815M0	Transistor	2SC1815 Y,GR	トランジスタ		01
Q208	IA101590	Transistor	2SA1015 O,Y	トランジスタ		01
* Q209	V8093300	Transistor	2SA1924	トランジスタ		02
* Q211	V8093400	Transistor	2SC3425	トランジスタ		03
Q213	VR152900	Transistor	2SC3790 E,F	トランジスタ		02
Q214	VR152800	Transistor	2SA1480 E,F	トランジスタ		02
Q217	VR152800	Transistor	2SA1480 E,F	トランジスタ		02
Q218	VR152900	Transistor	2SC3790 E,F	トランジスタ		02
Q219	V8093400	Transistor	2SC3425	トランジスタ		03
Q220	V8093300	Transistor	2SA1924	トランジスタ		02
Q221	VU418600	Transistor	2SC3468 D,E	トランジスタ		01
Q222	VU418400	Transistor	2SA1371 D,E	トランジスタ		01
Q223	V4096000	Transistor	2SA1770 S,T	トランジスタ		03
Q224	V4096100	Transistor	2SC4614 S,T	トランジスタ		02
Q225	V4096000	Transistor	2SA1770 S,T	トランジスタ		03
Q226	VI242900	Transistor	2SA1020-Y(TPE6) Y	トランジスタ		01
Q227	VI242900	Transistor	2SA1020-Y(TPE6) Y	トランジスタ		01
R201	V6433400	Metal Film Resistor	1.2K 1/4 F	金属被膜抵抗		
R202	HF457240	Carbon Resistor	24.0K 1/4 J	力ボ抵抗		01
R203	V6433400	Metal Film Resistor	1.2K 1/4 F	金属被膜抵抗		
R204	HF455560	Carbon Resistor	560.0 1/4 J	力ボ抵抗		01
R205	HF458330	Carbon Resistor	330.0K 1/4 J	力ボ抵抗		01
R206	HF455560	Carbon Resistor	560.0 1/4 J	力ボ抵抗		01
R207	HF457100	Carbon Resistor	10.0K 1/4 J	力ボ抵抗		01

*: New Parts

RANK: Japan only

REF NO.	PART NO.	DESCRIPTION	部 品 名	REMARKS	QTY	RANK
R208	HF455560	Carbon Resistor	560.0 1/4 J	力 - ボ ン 抵 抗		01
R209	VN688500	Carbon Resistor	12K 1/2 F	力 - ボ ン 抵 抗		03
R210	VN688500	Carbon Resistor	12K 1/2 F	力 - ボ ン 抵 抗		03
R212	HF457120	Carbon Resistor	12.0K 1/4 J	力 - ボ ン 抵 抗		01
R213	HF457120	Carbon Resistor	12.0K 1/4 J	力 - ボ ン 抵 抗		01
R214	HF457360	Carbon Resistor	36.0K 1/4 J	力 - ボ ン 抵 抗		01
R215	HF455200	Carbon Resistor	200.0 1/4 J	力 - ボ ン 抵 抗		01
R216	HF455220	Carbon Resistor	220.0 1/4 J	力 - ボ ン 抵 抗		01
R218	HF457360	Carbon Resistor	36.0K 1/4 J	力 - ボ ン 抵 抗		01
R219	HF454750	Carbon Resistor	75.0 1/4 J	力 - ボ ン 抵 抗		01
R220	HF457360	Carbon Resistor	36.0K 1/4 J	力 - ボ ン 抵 抗		01
* R223	HF455160	Carbon Resistor	160.0 1/4 J	力 - ボ ン 抵 抗		01
R224	V6252000	Flame Proof C. Resistor	470 1/4 J	不 燃 化 力 - ボ ン 抵 抗		01
R225	V6252000	Flame Proof C. Resistor	470 1/4 J	不 燃 化 力 - ボ ン 抵 抗		01
* R226	HF455160	Carbon Resistor	160.0 1/4 J	力 - ボ ン 抵 抗		01
R228	HF455130	Carbon Resistor	130.0 1/4 J	力 - ボ ン 抵 抗		01
R229	HF456180	Carbon Resistor	1.8K 1/4 J	力 - ボ ン 抵 抗		01
R230	HF457160	Carbon Resistor	16.0K 1/4 J	力 - ボ ン 抵 抗		01
R231	VZ009500	Metal Film Resistor	680K 1/4 F	金 属 被 膜 抵 抗		01
R232	V2348800	Metal Film Resistor	100K 1/4 F	金 属 被 膜 抵 抗		01
R233	V2440500	Metal Film Resistor	27K 1/4 F	金 属 被 膜 抵 抗		01
R233	VV312900	Metal Film Resistor	22K 1/4 F	金 属 被 膜 抵 抗		01
R234	V2440500	Metal Film Resistor	27K 1/4 F	金 属 被 膜 抵 抗		01
R235	VZ009500	Metal Film Resistor	680K 1/4 F	金 属 被 膜 抵 抗		01
R236	V2348800	Metal Film Resistor	100K 1/4 F	金 属 被 膜 抵 抗		01
R237	HF457160	Carbon Resistor	16.0K 1/4 J	力 - ボ ン 抵 抗		01
R244	HF457680	Carbon Resistor	68.0K 1/4 J	力 - ボ ン 抵 抗		01
-247	HF457680	Carbon Resistor	68.0K 1/4 J	力 - ボ ン 抵 抗		01
R248	VV313800	Flame Proof C. Resistor	220.0 1/4 J	不 燃 化 力 - ボ ン 抵 抗		01
R249	VV313800	Flame Proof C. Resistor	220.0 1/4 J	不 燃 化 力 - ボ ン 抵 抗		01
R252	HF457160	Carbon Resistor	16.0K 1/4 J	力 - ボ ン 抵 抗		01
R253	HF457160	Carbon Resistor	16.0K 1/4 J	力 - ボ ン 抵 抗		01
R254	VZ008900	Flame Proof C. Resistor	270.0 1/4 J	不 燃 化 力 - ボ ン 抵 抗		01
R255	VZ008900	Flame Proof C. Resistor	270.0 1/4 J	不 燃 化 力 - ボ ン 抵 抗		01
R256	VZ009300	Flame Proof C. Resistor	330.0 1/4 J	不 燃 化 力 - ボ ン 抵 抗		01
R257	VZ009300	Flame Proof C. Resistor	330.0 1/4 J	不 燃 化 力 - ボ ン 抵 抗		01
R258	V6252000	Flame Proof C. Resistor	470 1/4 J	不 燃 化 力 - ボ ン 抵 抗		01
R259	V6252000	Flame Proof C. Resistor	470 1/4 J	不 燃 化 力 - ボ ン 抵 抗		01
R260	VZ008800	Flame Proof C. Resistor	22.0 1/4 J	不 燃 化 力 - ボ ン 抵 抗		01
-265	VZ008800	Flame Proof C. Resistor	22.0 1/4 J	不 燃 化 力 - ボ ン 抵 抗		01
R266	V4833200	Wire Wound Resistor	0.22 5W K	セ メ ン ト 抵 抗		01
R267	V4833200	Wire Wound Resistor	0.22 5W K	セ メ ン ト 抵 抗		01
R268	VZ008800	Flame Proof C. Resistor	22.0 1/4 J	不 燃 化 力 - ボ ン 抵 抗		01
-271	VZ008800	Flame Proof C. Resistor	22.0 1/4 J	不 燃 化 力 - ボ ン 抵 抗		01
R272	V4833200	Wire Wound Resistor	0.22 5W K	セ メ ン ト 抵 抗		01
R273	V4833200	Wire Wound Resistor	0.22 5W K	セ メ ン ト 抵 抗		01
R274	VZ008800	Flame Proof C. Resistor	22.0 1/4 J	不 燃 化 力 - ボ ン 抵 抗		01
-277	VZ008800	Flame Proof C. Resistor	22.0 1/4 J	不 燃 化 力 - ボ ン 抵 抗		01
R278	V4833200	Wire Wound Resistor	0.22 5W K	セ メ ン ト 抵 抗		01
R279	V4833200	Wire Wound Resistor	0.22 5W K	セ メ ン ト 抵 抗		01
R280	VZ008800	Flame Proof C. Resistor	22.0 1/4 J	不 燃 化 力 - ボ ン 抵 抗		01
-283	VZ008800	Flame Proof C. Resistor	22.0 1/4 J	不 燃 化 力 - ボ ン 抵 抗		01
R284	V4833200	Wire Wound Resistor	0.22 5W K	セ メ ン ト 抵 抗		01
R285	V4833200	Wire Wound Resistor	0.22 5W K	セ メ ン ト 抵 抗		01
R286	VZ008800	Flame Proof C. Resistor	22.0 1/4 J	不 燃 化 力 - ボ ン 抵 抗		01
-289	VZ008800	Flame Proof C. Resistor	22.0 1/4 J	不 燃 化 力 - ボ ン 抵 抗		01
R290	V4833200	Wire Wound Resistor	0.22 5W K	セ メ ン ト 抵 抗		01
R291	V4833200	Wire Wound Resistor	0.22 5W K	セ メ ン ト 抵 抗		01
R304	HF456560	Carbon Resistor	5.6K 1/4 J	力 - ボ ン 抵 抗		01
R305	HF456560	Carbon Resistor	5.6K 1/4 J	力 - ボ ン 抵 抗		01
R306	VZ008800	Flame Proof C. Resistor	22.0 1/4 J	不 燃 化 力 - ボ ン 抵 抗		01
R307	VZ008700	Flame Proof C. Resistor	2.2K 1/4 J	不 燃 化 力 - ボ ン 抵 抗		01
R308	VZ008700	Flame Proof C. Resistor	2.2K 1/4 J	不 燃 化 力 - ボ ン 抵 抗		01
R309	VZ008800	Flame Proof C. Resistor	22.0 1/4 J	不 燃 化 力 - ボ ン 抵 抗		01
R310	VZ008600	Flame Proof C. Resistor	150.0 1/4 J	不 燃 化 力 - ボ ン 抵 抗		01
R311	VZ008600	Flame Proof C. Resistor	150.0 1/4 J	不 燃 化 力 - ボ ン 抵 抗		01
R312	VV557800	Flame Proof C. Resistor	1.0 1/4 J	不 燃 化 力 - ボ ン 抵 抗		01
R313	VV557800	Flame Proof C. Resistor	1.0 1/4 J	不 燃 化 力 - ボ ン 抵 抗		01
R314	VZ370200	Wire Wound Resistor	0.1 5W K	セ メ ン ト 抵 抗		01
R315	VV276700	Flame Proof C. Resistor	4.7 1/4 J	不 燃 化 力 - ボ ン 抵 抗		01

*: New Parts

RANK: Japan only

REF NO.	PART NO.	DESCRIPTION		部 品 名	REMARKS	QTY	RANK
R316	VZ370200	Wire Wound Resistor	0.1 5W K	セメント抵抗			01
R317	VV557800	Flame Proof C. Resistor	1.0 1/4 J	不燃化カーボン抵抗			01
R318	VV557800	Flame Proof C. Resistor	1.0 1/4 J	不燃化カーボン抵抗			01
R319	VZ370200	Wire Wound Resistor	0.1 5W K	セメント抵抗			01
R320	VV557800	Flame Proof C. Resistor	1.0 1/4 J	不燃化カーボン抵抗			01
R321	VZ370200	Wire Wound Resistor	0.1 5W K	セメント抵抗			01
R322	VV557800	Flame Proof C. Resistor	1.0 1/4 J	不燃化カーボン抵抗			01
R327	VV058500	Flame Proof C. Resistor	10.0 1/4 J	不燃化カーボン抵抗			01
R328	VV058500	Flame Proof C. Resistor	10.0 1/4 J	不燃化カーボン抵抗			01
R329	VZ009300	Flame Proof C. Resistor	330.0 1/4 J	不燃化カーボン抵抗			01
R330	V5910300	Metal Oxide Film Resistor	3.9K 2W J	サンキン抵抗			01
R331	VZ009300	Flame Proof C. Resistor	330.0 1/4 J	不燃化カーボン抵抗			01
R332	VV276800	Flame Proof C. Resistor	100 1/4 J	不燃化カーボン抵抗			01
R333	V5910300	Metal Oxide Film Resistor	3.9K 2W J	サンキン抵抗			01
R334	HF454220	Carbon Resistor	22.0 1/4 J	カーボン抵抗			01
R335	VV058500	Flame Proof C. Resistor	10.0 1/4 J	不燃化カーボン抵抗			01
R336	VV313800	Flame Proof C. Resistor	220.0 1/4 J	不燃化カーボン抵抗			01
R337	V5910300	Metal Oxide Film Resistor	3.9K 2W J	サンキン抵抗			01
R338	V6252000	Flame Proof C. Resistor	470 1/4 J	不燃化カーボン抵抗			01
R339	VV058500	Flame Proof C. Resistor	10.0 1/4 J	不燃化カーボン抵抗			01
R340	VV058500	Flame Proof C. Resistor	10.0 1/4 J	不燃化カーボン抵抗			01
R341	VV276700	Flame Proof C. Resistor	4.7 1/4 J	不燃化カーボン抵抗			01
R342	VV058500	Flame Proof C. Resistor	10.0 1/4 J	不燃化カーボン抵抗			01
R343	VV058500	Flame Proof C. Resistor	10.0 1/4 J	不燃化カーボン抵抗			01
R346	VV313900	Flame Proof C. Resistor	680.0 1/4 J	不燃化カーボン抵抗			01
R347	VV313900	Flame Proof C. Resistor	680.0 1/4 J	不燃化カーボン抵抗			01
R348	VV276700	Flame Proof C. Resistor	4.7 1/4 J	不燃化カーボン抵抗			01
R350	HF455220	Carbon Resistor	220.0 1/4 J	カーボン抵抗			01
R351	HF455220	Carbon Resistor	220.0 1/4 J	カーボン抵抗			01
R352	HF457120	Carbon Resistor	12.0K 1/4 J	カーボン抵抗			01
R353	HF455130	Carbon Resistor	130.0 1/4 J	カーボン抵抗			01
* R354	HF455160	Carbon Resistor	160.0 1/4 J	カーボン抵抗			01
RY201	V8245600	Relay	DC ATX203	リレー			04
VR201	VZ352000	Trimmer Potentiometer	B 500 3P	半固定VR	IDRING ADJUSTMENT		01
VR202	VZ352000	Trimmer Potentiometer	B 500 3P	半固定VR			01
VR203	VA787300	Trimmer Potentiometer	B 220 3P RHEOA	半固定VR	OFFSET ADJUSTMENT	01	
W201	--	Connector Assembly	B+	束線	(V841040)		
W202	--	Connector Assembly	G	束線	(V841050)		
W203	--	Connector Assembly	B-	束線	(V841060)		
W204	--	Connector Assembly	OU	束線	(V893190)		
* V8482500	Circuit Board	PS5J		シートPS5J	(X2349C0)		
* V8482600	Circuit Board	PS5U		シートPS5U	(X2349C0)		
* V8482700	Circuit Board	PS5H		シートPS5H	(X2349C0)		
* V8482800	Circuit Board	PS5A		シートPS5A	(X2349C0)		
* WA012700	Cord Holder	250		インシュロックタイプ			
* EG330380	Bind Head Screw	3.0X10 MFZN2BL		+ バインド小ネジ			01
* V8929200	Fuse Holder	CQ-205SPP		ヒューズホルダ	J,U,V		
* VV319600	Fuse Holder	CQ-05CT		ヒューズホルダ	H,W,B,K,A		01
--	Insulation Sheet	TBM51W T=0.15		放熱シート		(V874710)	
--	Connector Assembly	AE		束線		(V893080)	
--	H/C-A Assembly			H/C-A Ass'y		(V924500)	
--	H/C-B Assembly			H/C-B Ass'y		(V924510)	
--	H/C-C Assembly			H/C-C Ass'y		(V924520)	
⚠ * C101	V8638200	Capacitor	1.0 275V U.C.S	規格認定コン			03
C103	VV062800	Mylar Capacitor	0.1 50V J	マイラコン			01
C104	UR857100	Electrolytic Cap.	10.00 35.0V	ケミコン			01
C105	UA952470	Mylar Capacitor	470P 50V J	マイラコン			01
⚠ * C107	V8638200	Capacitor	1.0 275V U.C.S	規格認定コン			03
C108	UR857100	Electrolytic Cap.	10.00 35.0V	ケミコン			01
⚠ C109	V6185400	Capacitor	3300P 400V J.U.C.S	規格認定コン			01
⚠ C110	V6185400	Capacitor	3300P 400V J.U.C.S	規格認定コン			01
C111	UR838100	Electrolytic Cap.	100.00 16.0V	ケミコン			01
⚠ * C112	V8638200	Capacitor	1.0 275V U.C.S	規格認定コン			03
C113	VZ352800	Ceramic Capacitor-SL	22P 50V J	セラコン (SL)			01
C114	VZ354000	Ceramic Capacitor-F	0.0100 50V Z	セラコン F			01
C115	UR857100	Electrolytic Cap.	10.00 35.0V	ケミコン			01
C116	V8499100	Electrolytic Cap.	2200 200V	ケミコン			09
C117	V8499100	Electrolytic Cap.	2200 200V	ケミコン			09
C118	VZ352800	Ceramic Capacitor-SL	22P 50V J	セラコン (SL)			01

*: New Parts

RANK: Japan only

REF NO.	PART NO.	DESCRIPTION	部 品 名	REMARKS	QTY	RANK
C119	V8499100	Electrolytic Cap.	2200 200V	ケ ミ コ ン		09
C120	V8499100	Electrolytic Cap.	2200 200V	ケ ミ コ ン		09
C121	UR828470	Electrolytic Cap.	470.00 10.0V	ケ ミ コ ン		01
C122	UR857100	Electrolytic Cap.	10.00 35.0V	ケ ミ コ ン		01
C123	VV062800	Mylar Capacitor	0.1 50V J	マ イ ラ - コ ン		01
C124	VZ354000	Ceramic Capacitor-F	0.0100 50V Z	セ ラ コ ン F		01
C127	V9136100	Polypropylene Capacitor	1.2000 250V J	P P コ ン	J	
C127	V9135800	Polypropylene Capacitor	1.0000 250V J	P P コ ン	U,V,H,W,B,K,A	
* C128	V8811100	Electrolytic Cap.-PW	10 25.0V	ケ ミ コ ン P W		01
* C131	UA952470	Mylar Capacitor	470P 50V J	マ イ ラ - コ ン		01
* C135	V9982700	Electrolytic Cap.-VK	10000 16.0V	ケ ミ コ ン V K		
C136	UR858470	Electrolytic Cap.	470.00 35.0V	ケ ミ コ ン		01
C137	UR857100	Electrolytic Cap.	10.00 35.0V	ケ ミ コ ン		01
C138	UR857100	Electrolytic Cap.	10.00 35.0V	ケ ミ コ ン		01
* C139	V9982400	Electrolytic Cap.-PW	100 50.0V	ケ ミ コ ン P W		
* C140	V8740200	Electrolytic Cap.-GU	560.00 200.0V	ケ ミ コ ン G U		06
* C141	V8740200	Electrolytic Cap.-GU	560.00 200.0V	ケ ミ コ ン G U		06
C142	UR867470	Electrolytic Cap.	47.00 50.0V	ケ ミ コ ン		01
C143	UR857100	Electrolytic Cap.	10.00 35.0V	ケ ミ コ ン		01
C144	UR857100	Electrolytic Cap.	10.00 35.0V	ケ ミ コ ン		01
C145	V8500200	Electrolytic Cap.-PW	470 50.0V	ケ ミ コ ン P W		03
C146	V8500200	Electrolytic Cap.-PW	470 50.0V	ケ ミ コ ン P W		03
* C147	V8740200	Electrolytic Cap.-GU	560.00 200.0V	ケ ミ コ ン G U		06
* C148	V8740200	Electrolytic Cap.-GU	560.00 200.0V	ケ ミ コ ン G U		06
C149	UR867470	Electrolytic Cap.	47.00 50.0V	ケ ミ コ ン		01
C150	UR867470	Electrolytic Cap.	47.00 50.0V	ケ ミ コ ン		01
C151	UR857100	Electrolytic Cap.	10.00 35.0V	ケ ミ コ ン		01
C152	UR857100	Electrolytic Cap.	10.00 35.0V	ケ ミ コ ン		01
C153	UR866470	Electrolytic Cap.	4.70 50.0V	ケ ミ コ ン		01
C154	VZ352800	Ceramic Capacitor-SL	22P 50V J	セ ラ コ ン (S L)		01
C155	V6113500	Capacitor	1000P 400V J.U.C.S	規 格 認 定 コ ン		
△ CN101	LB932040	Base Post Connector	VH- 4P TE	ベ ー ス ポ ス ト		01
CN102	VV066900	Connector Base Post	M2426XX 9P TE	コ ネ ク タ ベ ー ス ポ ス ト		01
CN103	VV066200	Connector Base Post	M2426XX 2P TE	コ ネ ク タ ベ ー ス ポ ス ト		01
CN104	VV066200	Connector Base Post	M2426XX 2P TE	コ ネ ク タ ベ ー ス ポ ス ト		01
CN105	VZ005700	Fasten Terminal	TP82223-22	フ ァ ス ト ン 端 子		01
△ -110	VZ005700	Fasten Terminal	TP82223-22	フ ァ ス ト ン 端 子		01
* D101	VR149900	Diode Stack	D25XB60 25.0A 600V	ダ イ オ ー ス タ ッ ク		06
* D102	V8629800	Diode	AG01A WS	ダ イ オ ー ド		01
D103	VN478200	Diode	D1NL20U	ダ イ オ ー ド		01
* D104	VN478200	Diode	D1NL20U	ダ イ オ ー ド		01
* D105	V8629700	Diode	RL3A	ダ イ オ ー ド		02
* D106	V8629700	Diode	RL3A	ダ イ オ ー ド		02
D107	VU801600	Diode	1N4004L 26	ダ イ オ ー ド		01
-114	VU801600	Diode	1N4004L 26	ダ イ オ ー ド		01
D115	VN399500	Diode Stavk	FMU-36S 20.0A 600V	ダ イ オ ー ス タ ッ ク		05
D116	V8498700	Diode Stack	FMU-36R 20.0A 600V	ダ イ オ ー ス タ ッ ク		04
D117	VN478200	Diode	D1NL20U	ダ イ オ ー ド		01
-122	VN478200	Diode	D1NL20U	ダ イ オ ー ド		01
D123	VU801600	Diode	1N4004L 26	ダ イ オ ー ド		01
D124	VU801600	Diode	1N4004L 26	ダ イ オ ー ド		01
D125	VN771700	Diode	D1NS4	ダ イ オ ー ド		01
D126	VN771700	Diode	D1NS4	ダ イ オ ー ド		01
D127	VG437700	Zener Diode	MTZ J 5.6B 5.6V	ツ ェ ナ ー ダ イ オ ー ド		01
D128	VD631600	Diode	1SS133,176,HSS104	ダ イ オ ー ド		01
-131	VD631600	Diode	1SS133,176,HSS104	ダ イ オ ー ド		01
△ * F101	V8932000	Fuse	25.00A JU	ヒ ユ - ズ	J	03
△ * F101	V8932100	Fuse	20.00A JU	ヒ ユ - ズ	U,V	03
△ * F101	V5413700	Fuse	TH10.00A IEC	ヒ ユ - ズ	H,W,B,K,A	01
* IC101	X2383A00	IC	SG3525AN	I C	REGULATOR	03
* IC102	X2382A00	IC	IR2110	I C	DRIVE	06
IC103	XJ607A00	IC	NJM7805FA	I C	REGULATOR +5V	02
IC104	XD853A00	IC	NJM7815FA	I C	REGULATOR +15V	03
IC105	XD853A00	IC	NJM7815FA	I C	REGULATOR +15V	03
IC106	XD854A00	IC	NJM7915FA	I C	REGULATOR -15V	03
* J101	V8720900	Bus bar	PC	バ ス バ ー	J,U,V	
* -4	V8720900	Bus bar	PC	バ ス バ ー	J,U,V	
△ JK101	V5817000	AC Inlet	HF-301L	A C イ ン レ ッ ト	3 P	
K101	VZ703700	GND Plate	P-SERIES	G N D 金 具		01
△ * L101	V8740400	Coil	SC-15-10JH	コ イ ル	J,U,V	

*: New Parts

RANK: Japan only

REF NO.	PART NO.	DESCRIPTION	部 品 名	REMARKS	QTY	RANK
* L101	V8929300	Coil	SC-10-20JH	コ イ ル	H,W,B,K,A	
L102	V0076300	Coil	EI	コ イ ル	H,W,B,K	06
L103	V0076300	Coil	EI	コ イ ル	H,W,B,K	06
* L104	V8740400	Coil	SC-15-10JH	コ イ ル	J,U,V	
* L104	V9708500	Coil	FY10502MREZ	コ イ ル	H,W,B,K	10
* L104	V8929300	Coil	SC-10-20JH	コ イ ル	A	
L105	VR929200	Coil	LH L 08TB100K 10UH	コ イ ル 1 0 U H		01
-109	VR929200	Coil	LH L 08TB100K 10UH	コ イ ル 1 0 U H		01
PH101	V8100500	Photo Coupler	TLP421 GR	フ ォ ト カ プ ラ		01
PR101	VL965100	Positive Thermistor	PTH9M04BE222TS2	ボ ジ ス タ		04
Q101	V2797700	Transistor	2SC5395 E,F	ト ラ ン ジ ス タ		01
Q102	V2797600	Transistor	2SA1993 E,F	ト ラ ン ジ ス タ		01
Q103	VD678700	Digital Transistor	DTC114ES	デ ジ タ ル ト ラ ン ジ ス タ		01
Q104	VD678500	Digital Transistor	DTA114ES	デ ジ タ ル ト ラ ン ジ ス タ		01
Q105	VD678700	Digital Transistor	DTC114ES	デ ジ タ ル ト ラ ン ジ ス タ		01
* Q106	V8629500	Transistor	IRG4PC50U	I G B T		
* Q107	V8629500	Transistor	IRG4PC50U	I G B T		
Q108	V2797700	Transistor	2SC5395 E,F	ト ラ ン ジ ス タ		01
Q109	V2797600	Transistor	2SA1993 E,F	ト ラ ン ジ ス タ		01
Q110	VS883300	Transistor	2SB1565 E,F	ト ラ ン ジ ス タ		02
Q111	VI242900	Transistor	2SA1020-Y(TPE6) Y	ト ラ ン ジ ス タ		01
Q112	V2797700	Transistor	2SC5395 E,F	ト ラ ン ジ ス タ		01
R101	HF457100	Carbon Resistor	10.0K 1/4 J	カ ー ボ ン 抵 抗		01
R102	VV065700	Metal Film Resistor	18K 1/4 F	金 属 被 膜 抵 抗		01
R103	HF455560	Carbon Resistor	560.0 1/4 J	カ ー ボ ン 抵 抗		01
R104	HF455560	Carbon Resistor	560.0 1/4 J	カ ー ボ ン 抵 抗		01
R105	HF455330	Carbon Resistor	330.0 1/4 J	カ ー ボ ン 抵 抗		01
R106	HF458100	Carbon Resistor	100.0K 1/4 J	カ ー ボ ン 抵 抗		01
R107	HF458120	Carbon Resistor	120.0K 1/4 J	カ ー ボ ン 抵 抗		01
R108	HF458240	Carbon Resistor	240.0K 1/4 J	カ ー ボ ン 抵 抗		01
R109	HF458240	Carbon Resistor	240.0K 1/4 J	カ ー ボ ン 抵 抗		01
R110	HF457220	Carbon Resistor	22.0K 1/4 J	カ ー ボ ン 抵 抗		01
R111	HF456470	Carbon Resistor	4.7K 1/4 J	カ ー ボ ン 抵 抗		01
R112	HF457100	Carbon Resistor	10.0K 1/4 J	カ ー ボ ン 抵 抗		01
R113	HF457100	Carbon Resistor	10.0K 1/4 J	カ ー ボ ン 抵 抗		01
R114	HF456470	Carbon Resistor	4.7K 1/4 J	カ ー ボ ン 抵 抗		01
R115	HF457220	Carbon Resistor	22.0K 1/4 J	カ ー ボ ン 抵 抗		01
R116	VN067400	Wire Wound Resistor	6.8 5W K	セ メ ン ト 抵 抗		03
* R117	V9814800	Metal Oxide Film Resistor	100K 2W J	サ ン キ ン 抵 抗		
* R119	V9814800	Metal Oxide Film Resistor	100K 2W J	サ ン キ ン 抵 抗		
R121	VV276700	Flame Proof C. Resistor	4.7 1/4 J	不 燃 化 カ ー ボ ン 抵 抗		01
R122	VV058500	Flame Proof C. Resistor	10.0 1/4 J	不 燃 化 カ ー ボ ン 抵 抗		01
R123	VV058500	Flame Proof C. Resistor	10.0 1/4 J	不 燃 化 カ ー ボ ン 抵 抗		01
R124	HF456330	Carbon Resistor	3.3K 1/4 J	カ ー ボ ン 抵 抗		01
R125	HF456470	Carbon Resistor	4.7K 1/4 J	カ ー ボ ン 抵 抗		01
R126	VZ370200	Wire Wound Resistor	0.1 5W K	セ メ ン ト 抵 抗	JUVHWKA	01
R127	VZ370200	Wire Wound Resistor	0.1 5W K	セ メ ン ト 抵 抗	JUVHWKA	01
R128	VZ370200	Wire Wound Resistor	0.1 5W K	セ メ ン ト 抵 抗	JUVHWKA	01
R131	VZ370200	Wire Wound Resistor	0.1 5W K	セ メ ン ト 抵 抗	JUVHWKA	01
R132	VV313600	Flame Proof C. Resistor	2.2 1/4 J	不 燃 化 カ ー ボ ン 抵 抗		01
R133	VV313600	Flame Proof C. Resistor	2.2 1/4 J	不 燃 化 カ ー ボ ン 抵 抗		01
* R134	HF455300	Carbon Resistor	300.0 1/4 J	カ ー ボ ン 抵 抗		01
R135	HF457820	Carbon Resistor	82.0K 1/4 J	カ ー ボ ン 抵 抗		01
R136	HF456820	Carbon Resistor	8.2K 1/4 J	カ ー ボ ン 抵 抗		01
R137	HF456820	Carbon Resistor	8.2K 1/4 J	カ ー ボ ン 抵 抗		01
R138	HF455220	Carbon Resistor	220.0 1/4 J	カ ー ボ ン 抵 抗		01
R139	HF456330	Carbon Resistor	3.3K 1/4 J	カ ー ボ ン 抵 抗		01
R140	HF456130	Carbon Resistor	1.3K 1/4 J	カ ー ボ ン 抵 抗		01
R141	HF458200	Carbon Resistor	200.0K 1/4 J	カ ー ボ ン 抵 抗		01
R142	HF458200	Carbon Resistor	200.0K 1/4 J	カ ー ボ ン 抵 抗		01
R143	HF453680	Carbon Resistor	6.8 1/4 J	カ ー ボ ン 抵 抗		01
R144	HF457220	Carbon Resistor	22.0K 1/4 J	カ ー ボ ン 抵 抗		01
R145	HF458100	Carbon Resistor	100.0K 1/4 J	カ ー ボ ン 抵 抗		01
R146	HF458100	Carbon Resistor	100.0K 1/4 J	カ ー ボ ン 抵 抗		01
* RY101	V8628500	Relay	JM1AN-P-DC24V	リ レ		
SW101	VY898100	Push Switch	SDDFA3107U-YL UCS	プ ッ シ ュ S W	POWER SWITCH	05
* T101	X2384A00	Power Transformer	J	電 源 ト ラ ン ス	J	06
* T101	X2385A00	Power Transformer	U	電 源 ト ラ ン ス	U,V	06
* T101	X2386A00	Power Transformer	CE	電 源 ト ラ ン ス	H,W,B,K	06
* T101	X2387A00	Power Transformer	A	電 源 ト ラ ン ス	A	06

*: New Parts

RANK: Japan only

